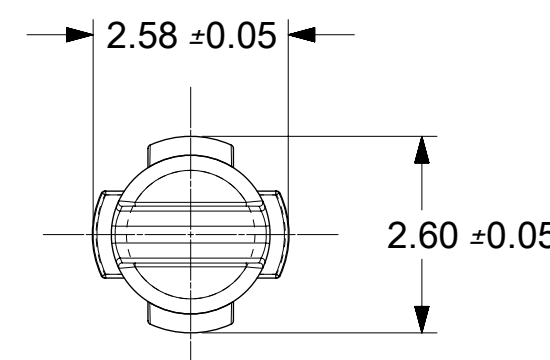


ISOMETRIC VIEW  
SCALE 8:1



NOTES:

1. MATERIAL PP UL 94 V-0, COLOR : NATURAL
2. VOID PLUG DESIGNED TO USE WITH HOUSING SERIES # 172877 & 172878
3. THESE PARTS CONFORM TO CLASS "B" REQUIREMENTS OF COSMETIC SPECIFICATION PS-45499-002
4. PRODUCT SPECIFICATION: 1728770001-PS
5. PACKAGING SPECIFICATION: PK-173061-0001

THIS DRAWING CONTAINS INFORMATION THAT IS PROPRIETARY TO MOLEX ELECTRONIC TECHNOLOGIES, LLC AND SHOULD NOT BE USED WITHOUT WRITTEN PERMISSION											
REVISED-RSD TO SD EC NO: 112905 DRWN: ISHWARG CHKD: APP: KPRASAD	2017/01/30	GENERAL TOLERANCES (UNLESS SPECIFIED)		DIMENSION UNITS	SCALE	<b>molex</b>  CAVITY PLUG VALUSEAL					
	2017/01/30	ANGULAR TOL $\pm 0.5^\circ$		MM	10:1						
	4 PLACES	$\pm$	DRWN BY	DATE	GES 2015/02/12						
	3 PLACES	$\pm$	CHKD BY	DATE	SS06 2015/12/08						
	2 PLACES	$\pm 0.25$	APPR BY	DATE	RHODGE 2015/04/06						
1 PLACE	$\pm 0.36$	DRAWING SIZE	THIRD ANGLE PROJECTION	C		SERIES	MATERIAL NUMBER	CUSTOMER			
0 PLACES	$\pm$	DRAFT WHERE APPLICABLE MUST REMAIN WITHIN DIMENSIONS				173061	1730610001	GENERAL MARKET			
D1	REV	APP	CHKD	DATE	DATE	DATE	DATE	DATE	DATE	DATE	DATE
						SD-173061-0001	PSD	000	000	1	1 OF 1