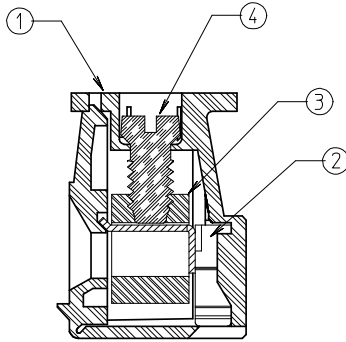
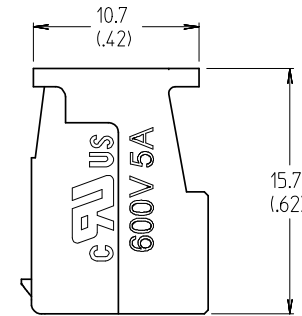
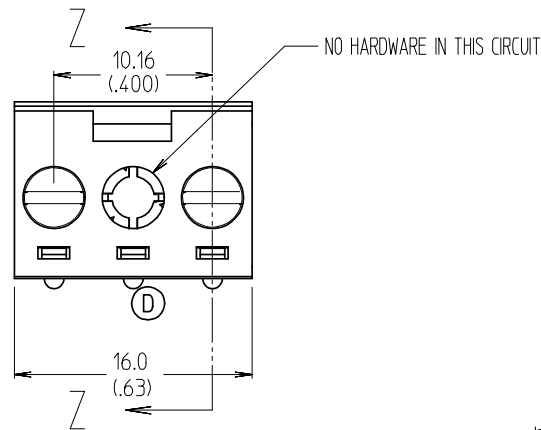
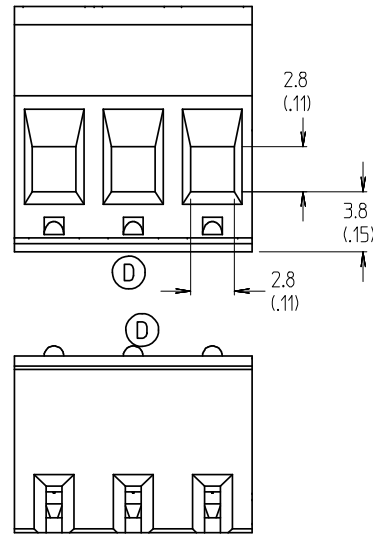


AUXILLARY VIEW
SCALE 2:1



SECTION Z-Z



NOTES:

1. MATERIAL: SEE TABLE
2. FINISHES: SEE TABLE
3. MATES WITH: 399800502
4. INCH DIMS ARE SHOWN IN PARENTHESIS (XXX).
5. ASSEMBLY IS ROHS COMPLIANT BY EXEMPTION. COMPONENTS MARKED WITH AN ASTERISK (*) ARE ROHS COMPLIANT BY EXEMPTION, ALL OTHERS ARE ROHS COMPLIANT.

ITEM	QTY.	DESCRIPTION	MATERIAL NO.	ENGINEERING NO.
4	2	SCREW, M3X0.5, CHS, SLOTTED	STEEL	ZN, CLEAR CHROMATE
3	2	RISING CAGE (*)	BRASS	NICKEL
2	2	TERMINAL	PHOS. BRONZE	HOT TIN DIP
1	1	INSULATOR	NYLON	BLACK

ADD MIDDLE LATCH EC NO: ETC2007-0322 2007/03/12 DRWN: CLYORK 2007/03/14 CHKD: JMACNEIL 2007/03/15 APPR: JMACNEIL	DESCRIPTION	QUALITY SYMBOLS
		▽=0
		▽=0
	REV	

GENERAL TOLERANCES (UNLESS SPECIFIED)		
	mm	INCH
4 PLACES	± .005	± .0005
3 PLACES	± .01	± .001
2 PLACES	± 0.13	± .01
1 PLACE	± 0.3	± .01
ANGULAR ± 2 °		
DRAFT WHERE APPLICABLE MUST REMAIN WITHIN DIMENSIONS		

DIMENSION STYLE		SCALE	DESIGN UNITS	THIRD ANGLE PROJECTION
MM/IN		3:1	INCH	
DRAWN BY	DATE	TITLE		
AMP	2003/09/22	10.16MM SR PLUG ASSY, 2 LENGTH SKIP CIRCUIT		
CHECKED BY	DATE			
R. KEMP	2003/10/13	MOLEX INCORPORATED		
APPROVED BY	DATE			
P. WALTZ	2003/10/20	MATERIAL NO.		SHEET NO.
		399800202		1 OF 1
SIZE	THIS DRAWING CONTAINS INFORMATION THAT IS PROPRIETARY TO MOLEX INCORPORATED AND SHOULD NOT BE USED WITHOUT WRITTEN PERMISSION			
B				