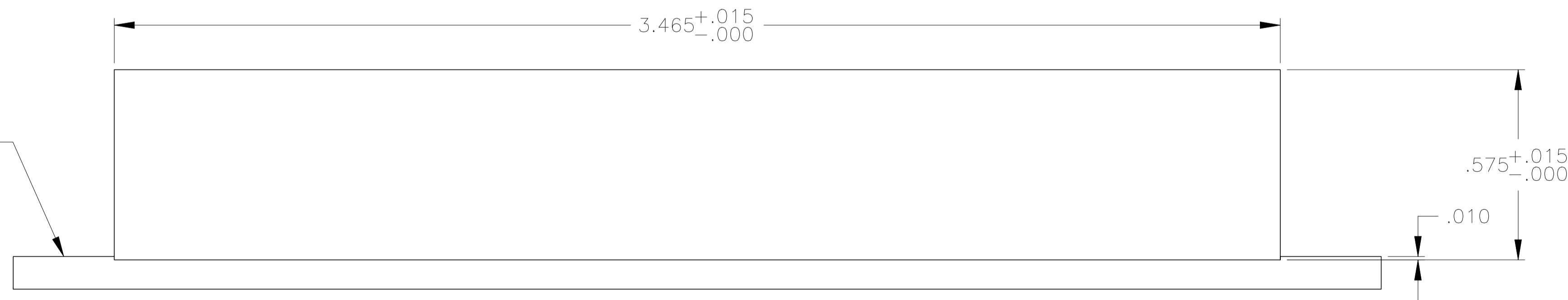
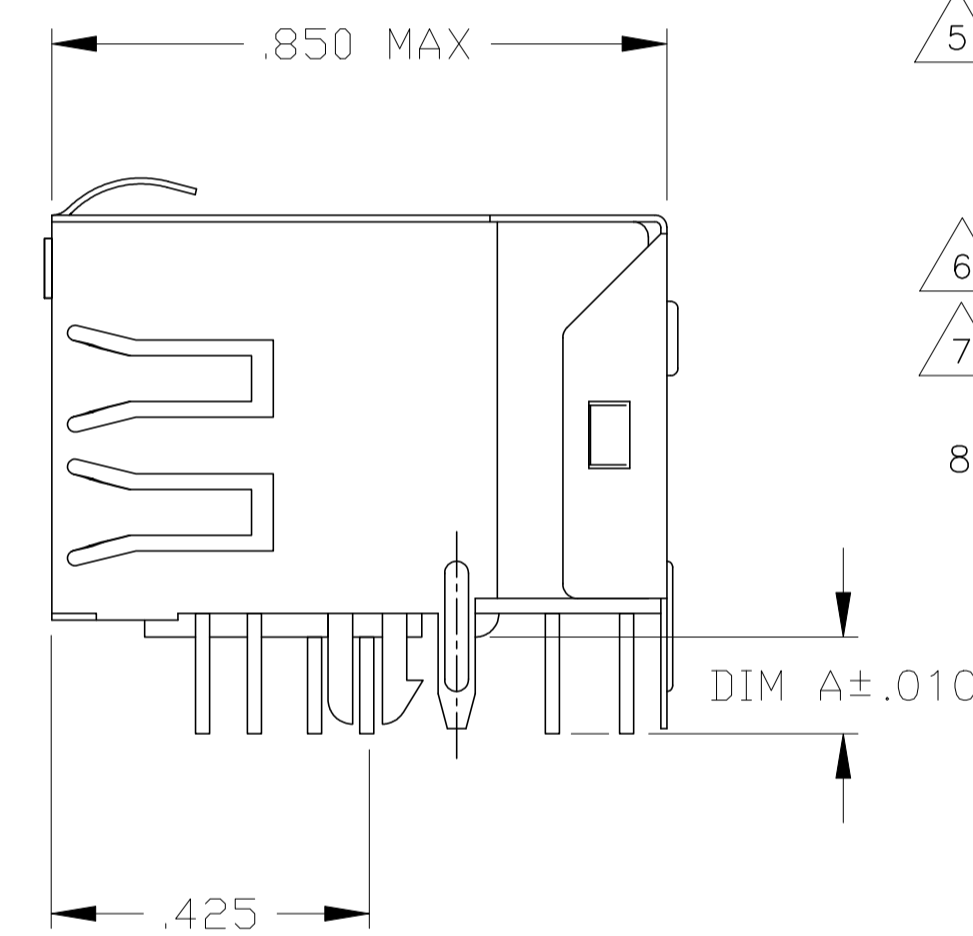
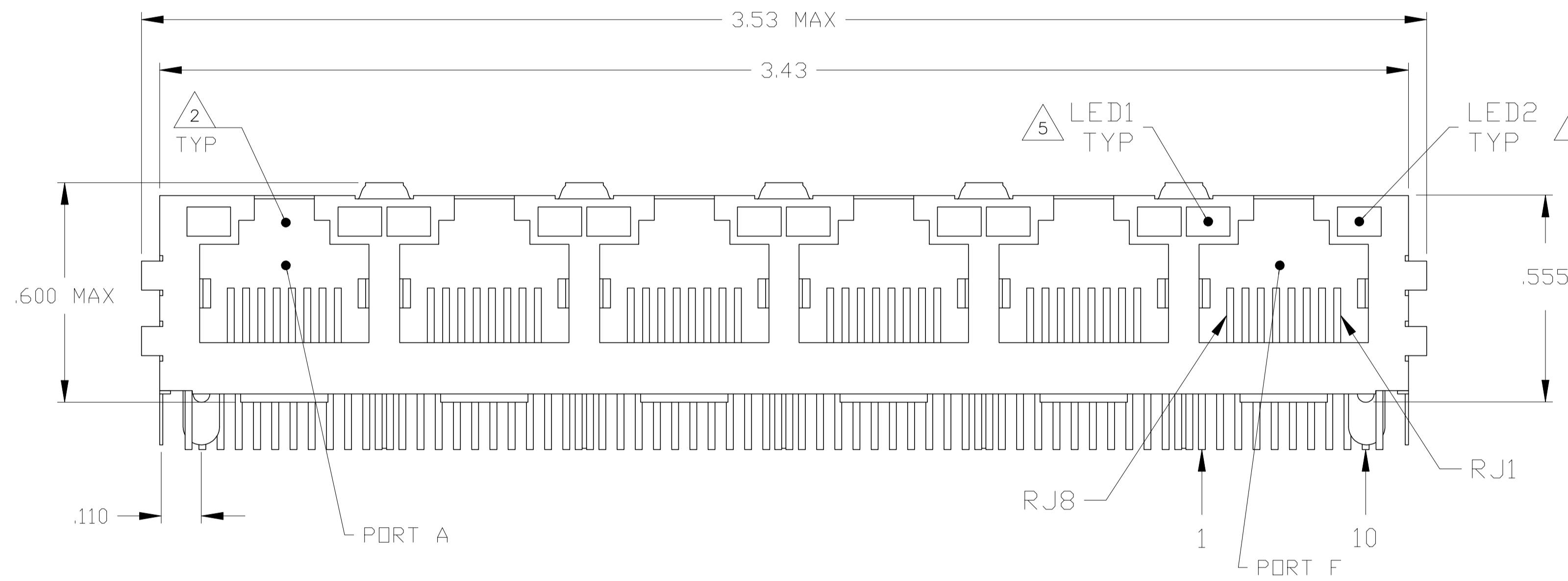
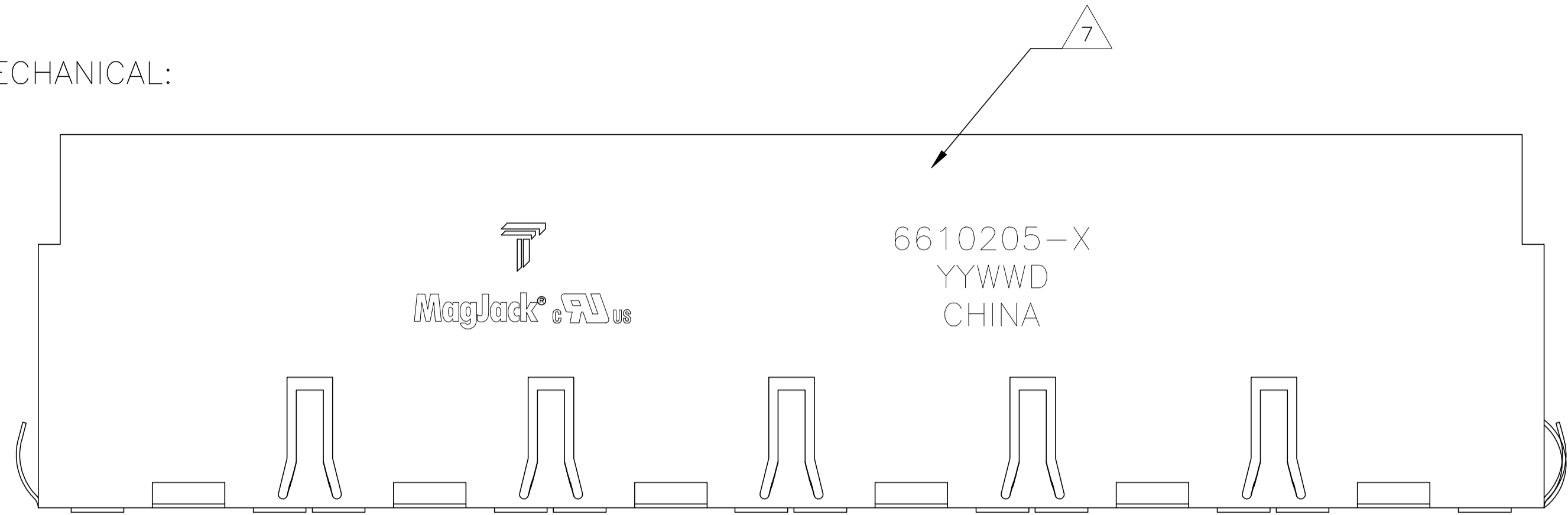


THIS DRAWING AND THE SUBJECT MATTER SHOWN THEREON ARE CONFIDENTIAL AND THE PROPERTY OF BEL/STEWART/TRP CONNECTOR AND SHALL NOT BE REPRODUCED, COPIED, OR USED IN ANY MANNER WITHOUT THE WRITTEN CONSENT OF TRP CONNECTOR.

PRODUCT MAY BE PROTECTED BY ONE OR MORE OF THE FOLLOWING US PATENTS:  
 5736910 5939955 6425781 6428361 6554638 6840817 7123117  
 7429195 7717749 7808751 6217391 6149050 7924130

REVISIONS				
P	LYR	DESCRIPTION	DATE	APVD
J		EC-1411035 COMPANY LOGO CHANGE	08JAN2015	DZ TL

MECHANICAL:



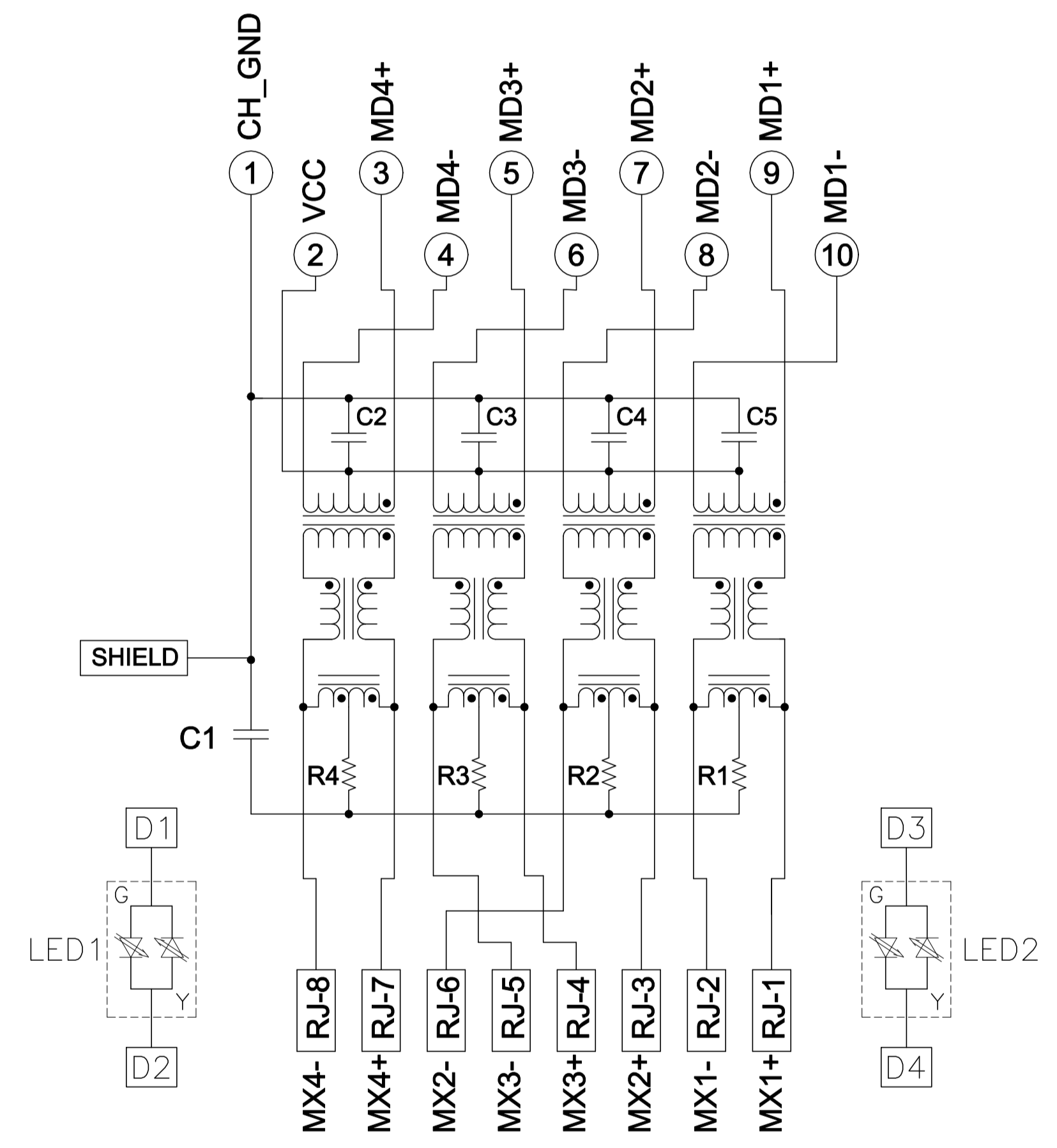
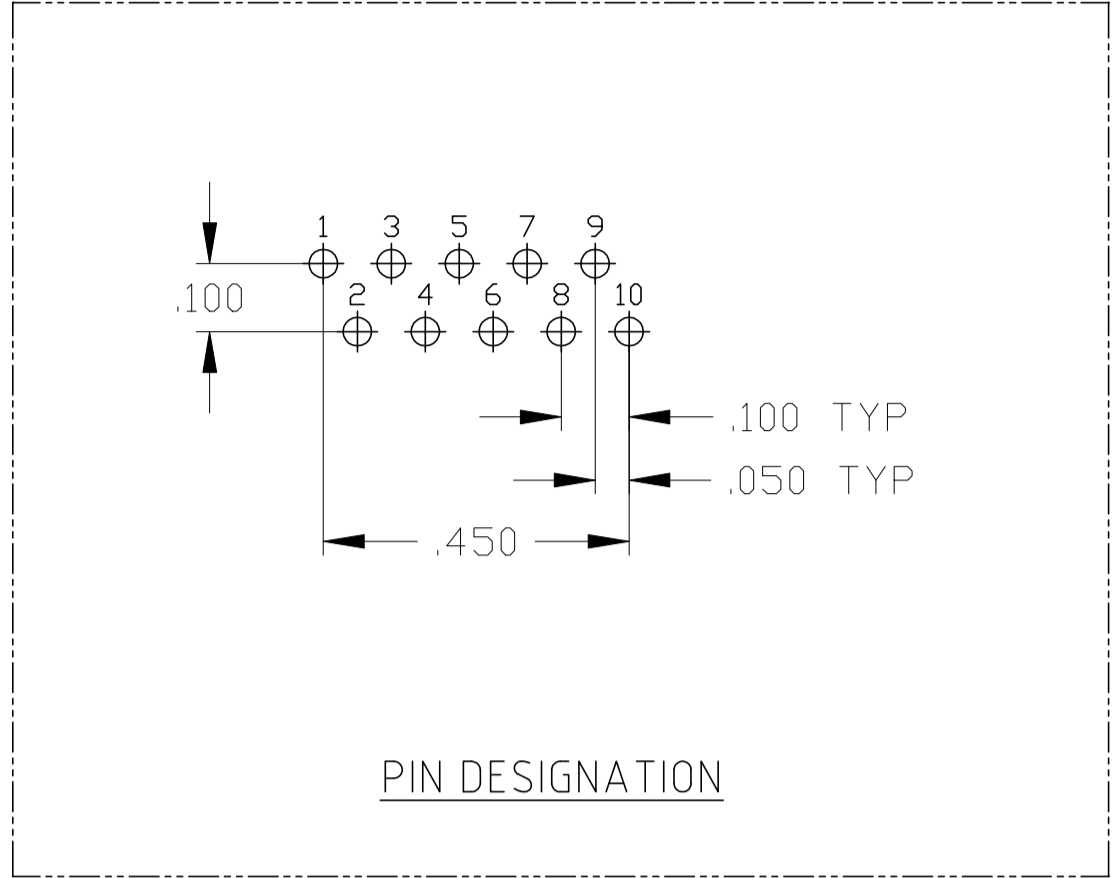
1X6 SUGGESTED PANEL CUTOUT

- 1 MATERIALS:  
 -HOUSING - THERMOPLASTIC PET POLYESTER FLAMMABILITY RATING UL 94V-0  
 -SHIELD - .008" THICK, C26800 BRASS PREPLATED WITH 30μINCH MIN SEMI-BRIGHT NICKEL. SOLDER TABS POST DIPPED WITH 100μINCH MIN SAC SOLDER.  
 -MOD JACK CONTACTS - 0.0157 X 0.018" PHOSPHOR BRONZE, 50μINCH MIN OVERALL NICKEL UNDERPLATE WITH SELECT 50μINCH MIN HARD GOLD FINISH PLATE. SOLDER TAILS WITH 100μINCH MIN MATTE TIN AND/OR SAC SOLDER DIP.  
 -LIGHT EMITTING DIODE(LED) - DIFFUSED EPOXY LENS, .020" X .020" CARBON STEEL WIREFRAME LEADS PRE-PLATED WITH 80μINCH SILVER OVER 40μINCH NICKEL UNDERPLATE OVER 40μINCH COPPER UNDERPLATE. POST-PLATED WITH 100μINCH MIN MATTE TIN AND/OR SAC SOLDER DIP OR PURE TIN SOLDER DIP.
- 2 RJ45 JACK CAVITY CONFORMS TO FCC RULES AND REGULATIONS PART 68, SUB PART F.
- 3 MAGNETICS  
 -APPLICATION 10/100/1000 BASE-T  
 -IMPEDANCE: 100 OHMS  
 -TURNS RATIO (CHIP-CABLE): 1:1 ALL FOUR PAIRS  
 -OPEN CIRCUIT INDUCTANCE (OCL): 350μH MIN @100kHz, 0.1VRMS, 8mADC BIAS FROM 0°C TO 70°C, ALL FOUR PAIRS  
 -ALL FOUR PAIRS BI-DIRECTIONAL  
 -PERFORMANCE @ 25°C:  
 INSERTION LOSS (IL): 1.1dB MAX FROM 0.5MHz TO 100MHz  
 RETURN LOSS (RL): 18dB MIN FROM 0.5MHz TO 40MHz  
 12-20LOG(f/80)dB MIN FROM 40.1MHz TO 100MHz  
 CROSSTALK ATTENUATION: 35dB MIN FROM 0.5MHz TO 40MHz  
 33-20×LOG(f/50)dB MIN FROM 40.1MHz TO 100MHz  
 COMMON MODE REJECTION RATIO (CMRR): 30dB MIN FROM 0.5MHz TO 100MHz  
 -ISOLATION VOLTAGE: 2250VDC (MAX) FOR 60 SECONDS WITH A RISE TIME OF 500V/SEC AND WITH ALL PORTS CONNECTED.
- 4. OPERATING TEMPERATURE: FROM 0°C TO +70°C.
- 5 LED IS DRIVEN WITH CONSTANT CURRENT AT APPROX 20mA. LED COLOR:  
 DOMINANT WAVELENGTH(λD): GREEN 568nm TYP. @ IF=20mA  
 FORWARD VOLTAGE (VF): GREEN 2.2V TYP. @ IF=20mA  
 DOMINANT WAVELENGTH(λD): YELLOW 588nm TYP. @ IF=20mA  
 FORWARD VOLTAGE (VF): YELLOW 2.1V TYP. @ IF=20mA.
- 6 INDICATED MAGNETIC CONNECTIONS ARE SYMMETRICAL TO SUPPORT AUTO-MDI/MDIX.
- 7 TRP CONNECTOR LOGO, PART NUMBER, DATE CODE, COUNTRY OF ORIGIN AND APPROVAL AGENCY MARKING IN APPROXIMATE LOCATION SHOWN.
- 8. THE PART IS RECOMMENDED FOR WAVE SOLDERING PROCESS. PREHEAT TEMPERATURE IS 120°C TO 160°C, 120 SECONDS TO 180 SECONDS, PEAK WAVE SOLDERING TEMPERATURE IS 260°C MAX. 10 SECONDS MAX.

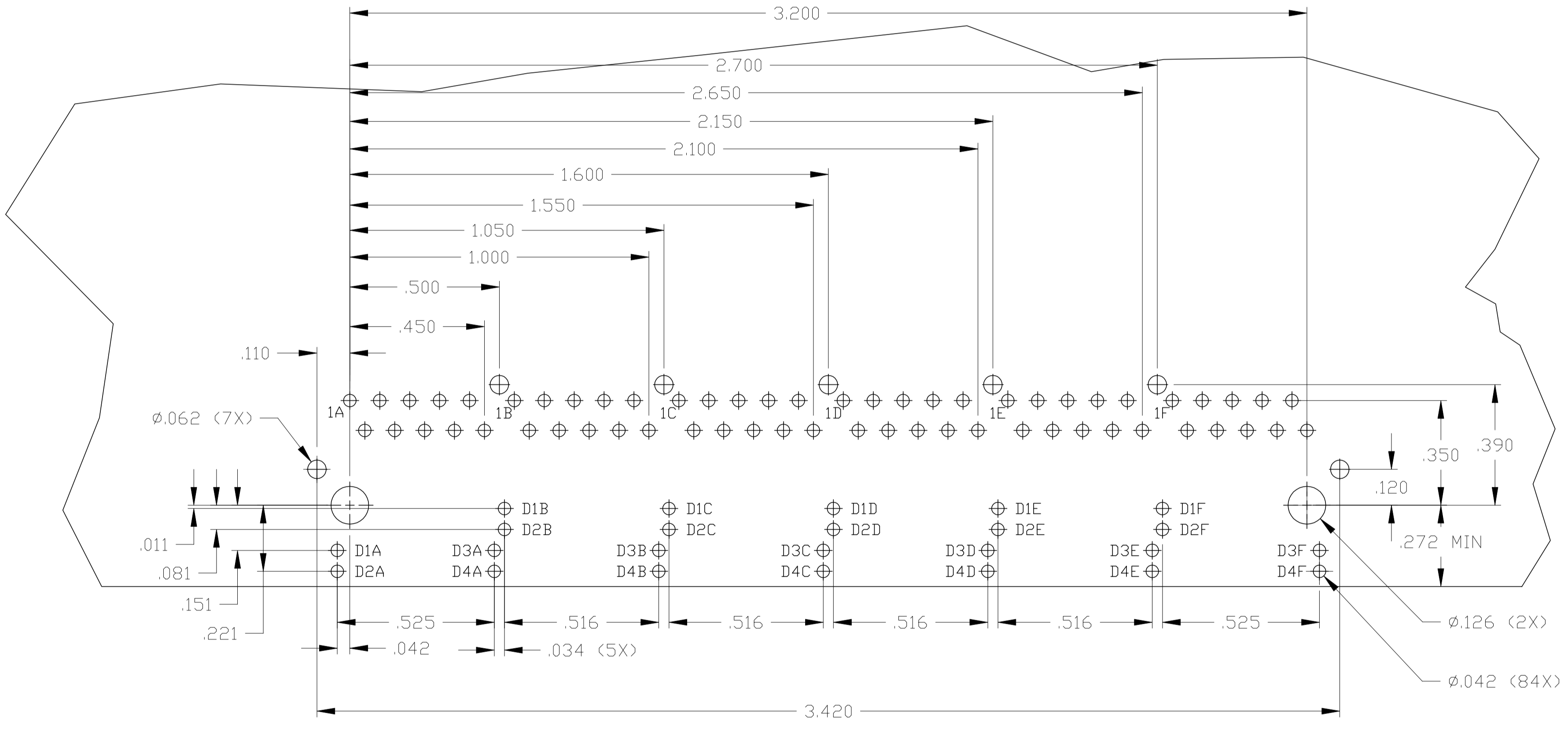
.100	GREEN	GREEN	1-6610205-7
.145	GREEN/YELLOW	GREEN/YELLOW	6610205-6
DIM A	LED1	LED2	PART NUMBER

THIS DRAWING IS A CONTROLLED DOCUMENT.		DWN G. ATTADIA - DOCK5 CHK D. FAROLE APVD D. FAROLE		17MAR2005 17MAR2005 17MAR2005		TRP CONNECTOR DONGGUAN CHINA	
DIMENSIONS: INCHES		TOLERANCES UNLESS OTHERWISE SPECIFIED:		0 PLC ± - 1 PLC ± - 2 PLC ± .010 3 PLC ± .005 4 PLC ± - ANGLES ± -		MODEL NAME: MAGJACK GANG SIZE: NON-POE DESC: 1X6 7G23P5 GIGABIT TAB UP W/ LED DRAWING NO: C=6610205 RESTRICTED TO: -	
PRODUCT SPEC: 108-2100		APPLICATION SPEC: -		CUSTOMER DRAWING		SCALE: NTS SHEET 1 OF 2 REV J	

# 7G23P5 GIGABIT CIRCUIT $\triangle_3 \triangle_6$



R1-R4 = 75 OHMS, 1/16W RESISTORS  
 C1 = 1000pF, 2kV CAPACITOR  
 C2-C5 = 0.1uF, 50V, X7R CAPACITORS



SUGGESTED PCB LAYOUT  
(Component Side)

THIS DRAWING IS A CONTROLLED DOCUMENT.		DWN G. ATTADIA - DOCK5 17MAR2005		CHK D. FAROLE 17MAR2005		APVD D. FAROLE 17MAR2005		DONGGUAN CHINA	
DIMENSIONS: INCHES		0 PLC ± - 1 PLC ± - 2 PLC ± .010 3 PLC ± .005 4 PLC ± - ANGLES ± -		MODEL NAME MAGJACK GANG		DESC 1X6 7G23P5 GIGABIT TAB UP W/ LED		RESTRICTED TO	
PRODUCT SPEC 108-2100		APPLICATION SPEC		NON-POE		SIZE A1		CAGE CODE 6610205	
CUSTOMER DRAWING		SCALE NTS		SHEET 2 OF 2		REV J			