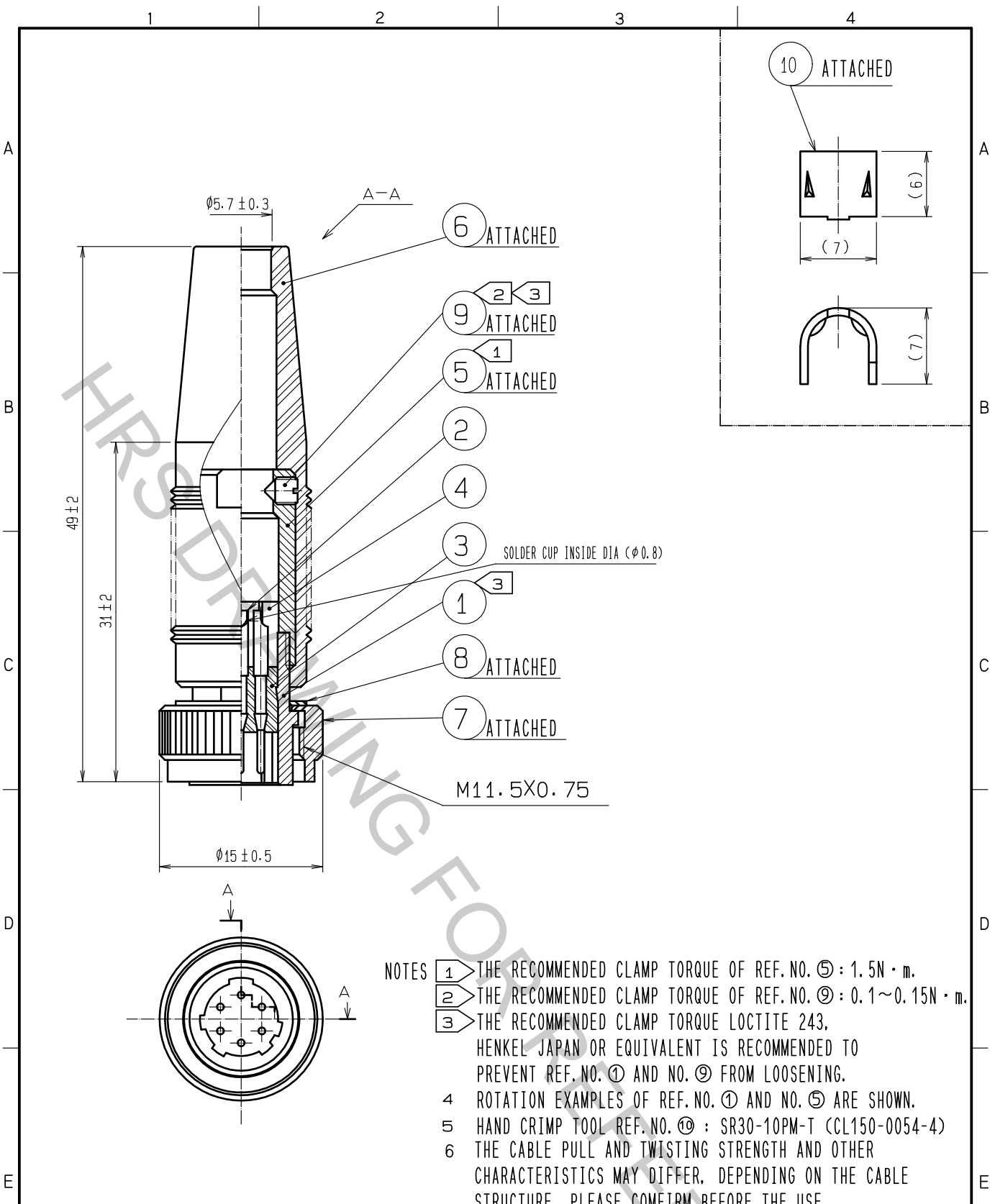


Aug.1.2018 Copyright 2018 HIROSE ELECTRIC CO., LTD. All Rights Reserved.  
 In case that the application demands a high level of reliability, such as automotive,  
 please contact a company representative for further information.



- NOTES
- ① THE RECOMMENDED CLAMP TORQUE OF REF. NO. ⑤ : 1.5N · m.
  - ② THE RECOMMENDED CLAMP TORQUE OF REF. NO. ⑨ : 0.1~0.15N · m.
  - ③ THE RECOMMENDED CLAMP TORQUE LOCTITE 243, HENKEL JAPAN OR EQUIVALENT IS RECOMMENDED TO PREVENT REF. NO. ① AND NO. ⑨ FROM LOOSENING.
  - 4 ROTATION EXAMPLES OF REF. NO. ① AND NO. ⑤ ARE SHOWN.
  - 5 HAND CRIMP TOOL REF. NO. ⑩ : SR30-10PM-T (CL150-0054-4)
  - 6 THE CABLE PULL AND TWISTING STRENGTH AND OTHER CHARACTERISTICS MAY DIFFER, DEPENDING ON THE CABLE STRUCTURE, PLEASE CONFIRM BEFORE THE USE.

5	BRASS	NICKEL PLATING	10	BRASS	
4	POLYTETRAFLUOROETHYLENE	(WHITE)	9	STEEL	CHROMATE TREATMENT (TRIVALENT CHROMIUM) JIS B 1117 M2.5×3
3	POLYACETAL	(WHITE)	8	BRASS	CHROME PLATING
2	BRASS	SURFACE PLATING : GOLD PLATING 0.2µm min. UNDER PLATING : NICKEL PLATING 3µm min.	7	BRASS	CHROME PLATING
1	ZINC ALLOY	NICKEL PLATING	6	CHLOROPRENE RUBBER	(BLACK)
NO.	MATERIAL	FINISH . REMARKS	NO.	MATERIAL	FINISH . REMARKS

UNITS mm		SCALE 2 : 1	COUNT 	DESCRIPTION OF REVISIONS	DESIGNED	CHECKED	DATE
HIROSE ELECTRIC CO., LTD.		APPROVED : HY. KOBAYASHI 18.02.22	DRAWING NO.	EDC-007281-31-00			
		CHECKED : HY. KOBAYASHI 18.02.22	PART NO.	SR30-10PM-6P(31)			
		DESIGNED : TH. KAMEYA 18.02.21	CODE NO.	CL103-0288-8-31			
		DRAWN : MK. INOUE 18.02.06					1/1