

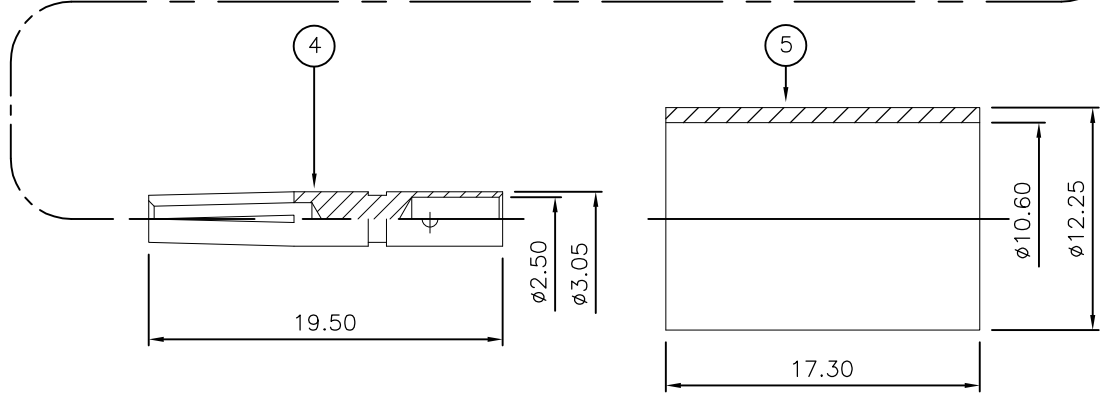
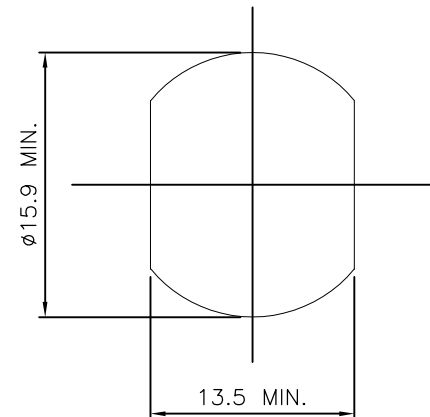
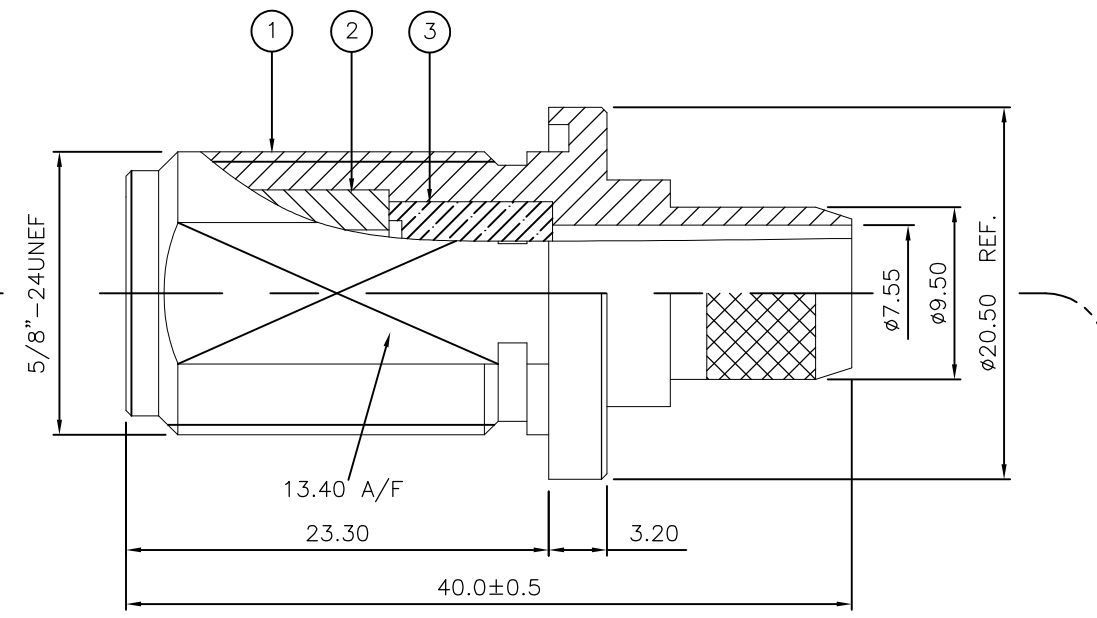
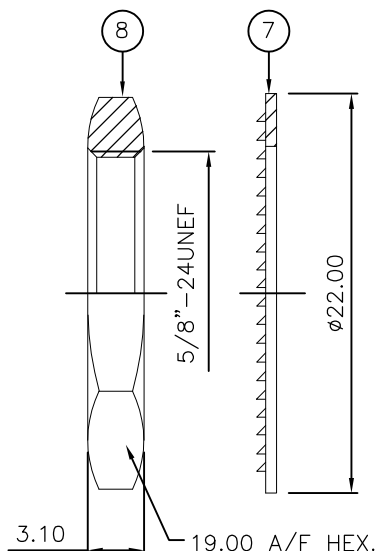
THIS DRAWING IS UNPUBLISHED. RELEASED FOR PUBLICATION AUGUST, 2006.

© COPYRIGHT 2006 By - ALL RIGHTS RESERVED.

LOC	DIST	REVISIONS					
		P	LTR	DESCRIPTION	DATE	DWN	APVD
E	B		B	ECR-06-018891	22AUG06	JMS	FWK
			C	ECO-12-006303	31MAR12	TITAN	MARTIN

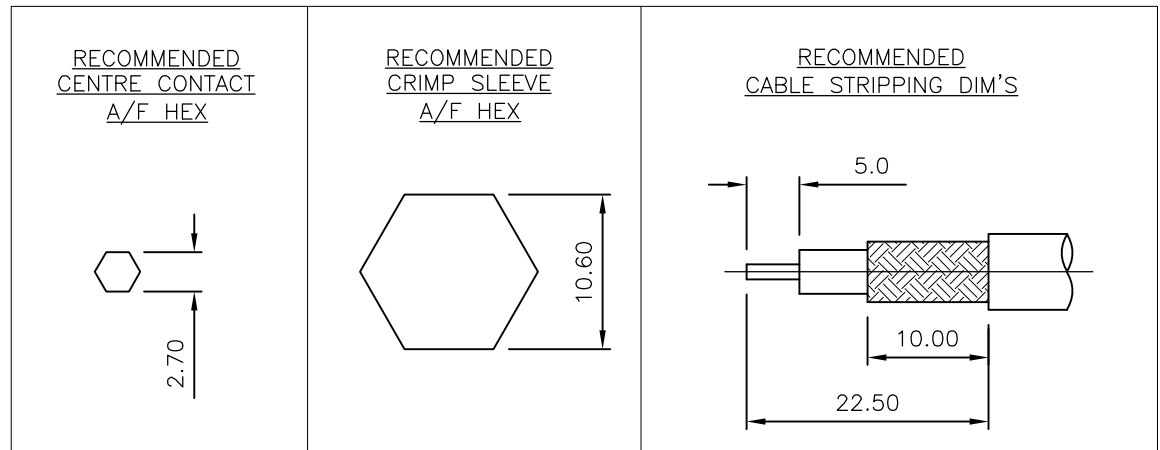
NOTES:

- 1 PACK IN ACCORDANCE WITH AMP SPEC 107-3275
- 2 100 TRAY PACK IN ACCORDANCE WITH AMP SPEC 107-3275
- 3 Ag PLATING
- 4 THIS ITEM MUST BE WHITE
- 5 HAND TOOL : 9-1478240-0
- 6 DIE SET : 9-1478246-0
- 7 ELECTRICAL CHARACTERISTICS
 FREQUENCY RANGE: DC - 11 GHz
 NOMINAL IMPEDANCE: 50 Ohm
 INSULATION RESISTANCE: 5000 MOhm
 WORKING VOLTAGE: 1000 Volts RMS at Sea Level
 DIELECTRIC WITHSTAND VOLTAGE: 2500 Volts RMS Max
 CONTACT RESISTANCE:
 CENTRE CONTACT: 1.00 mOhm Max
 OUTER CONTACT: 1.00 mOhm Max
 VSWR : 1.30 Max
 INSERTION LOSS dB @ x 10 GHz: 0.3dB Max
- 8 MECHANICAL CHARACTERISTICS
 COUPLING NUT RETENTION FORCE: N/A
 CABLE RETENTION FORCE: N/A
 MOUNT NUT RECOMMENDED TORQUE: 6 N-m
 DURABILITY: 500 Cycles
- 9 ENVIRONMENTAL CHARACTERISTICS
 OPERATING TEMPERATURE: -65 to +165 DegC
- 10 FOR TECHNICAL DATA REFER TO YOUR LOCAL TYCO ELECTRONICS SALES OFFICE
- 11 ALL DIMENSIONS ARE NOMINAL FOR REFERENCE ONLY UNLESS OTHERWISE STATED



RECOMMEND MOUNTING HOLE

QTY	QTY PER ASSY	MATERIAL	DESCRIPTION	ITEM
1	1	BRASS	HEXAGONAL NUT	8
1	1	BRASS	LOCKWASHER	7
1	1	SILICONE RUBBER	GASKET	6
1	1	BRASS	FERRULE	5
1	1	BRASS	CONTACT	4
1	1	PTFE	INSULATION	3
1	1	BRASS	CHASSIS	2
1	1	BRASS	BODY	1
6--0	1--0		MATERIAL	DESCRIPTION
				ITEM



THIS DRAWING IS A CONTROLLED DOCUMENT.

DWN J.SANDWELL 22AUG06
 CHK S.PARLOW 22AUG06
 APVD F.WHEELER-KING 22AUG06

PRODUCT SPEC -
 APPLICATION SPEC -
 CUSTOMER DRAWING 411-3247

WEIGHT -

FINISH -

MATERIAL SEE TABLE

STE TE Connectivity

NAME TYPE 'N' BULKHEAD JACK REAR MNT CRIMP 50 OHM PSF1/4M, RG8A/U, 213/U, URM67, KX4

SIZE A3 CAGE CODE 00779 DRAWING NO C-1478213 RESTRICTED TO -

SCALE NTS SHEET 1 OF 1 REV C