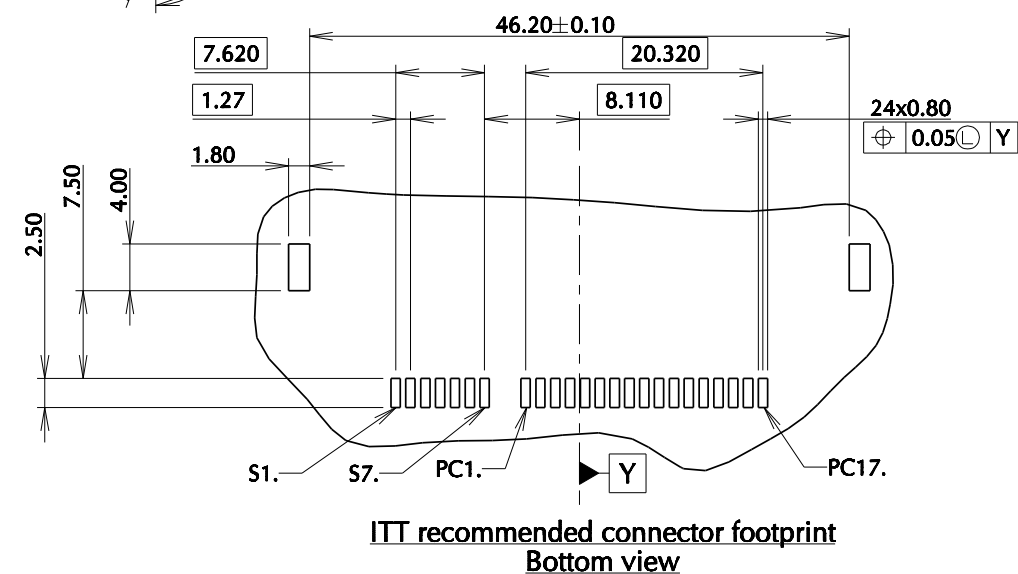
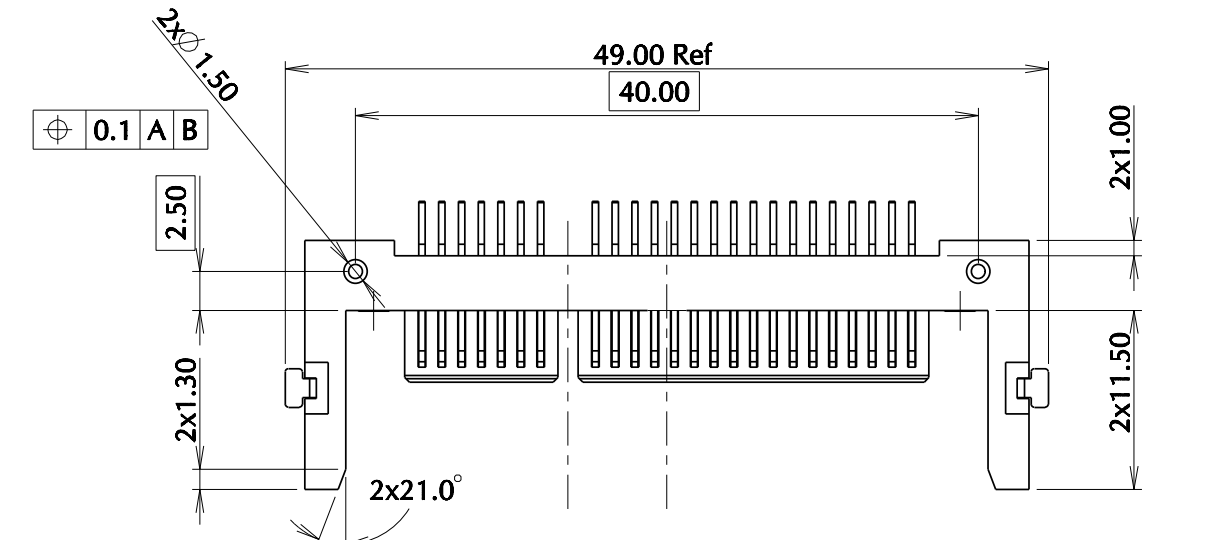


**NOTE**  
 1.The application connector products per CFAST standard.  
 2.Material:  
 Housing: LCP Resin, UL94-V0, Black.  
 Contact and ground clip: Phosphor bronze, Thickness 0.2mm.  
 Plating spec:  
 Contact area: Au 0.381um Min over matte Ni 1.0~2.5um underplating;  
 Solder trail area: Pure Tin over Ni 1.0~2.5um Underplating.  
 Ground clip plating spec:  
 Contact area: Gold flash over matte Ni 1.0~2.5um underplating  
 3. Unspecified tolerance:  
 up to 6 ±0.05  
 over 6 to 30 ±0.10  
 over 30 to 120 ±0.15



<b>DO NOT SCALE</b>			Total Volume : 3	Total Surface Area : 2	PDM:	A3/B
Drawn	HC	03-Sep-09	Material: See notes.	 3rd ANGLE PROJECTION Surface Roughness Unless Specified	 ITT Industries Cannon Electronics (SZ) Co. Ltd. Toupan Industrial Area, Jinda Cheng, Xiner Village, Shajing Town, Baoan District, Shenzhen City PRC 518125	Pro/E Generic Model
Checked	PX	03-Sep-09				Title
Engineer.						CFAST HOST CONNECTOR, CUSTOMER DRAWING
Manufact.						
Assembly						
Quality			Treatment:	Ref:		Drwg. No. CU-132001-0400
Approvals	Sign	Date	Dimensions in: mm	Cust Spec No:	Scale 2:1	Sheet 1 of 1

A	The first issue.	03-Sep-09
Iss	DCN/ECN or Description	Date

This is issued in strict confidence on condition that it is not used as a basis for manufacture or sale and that it is not copied, reprinted or disclosed to a third party either wholly or in part without the prior written consent of ITT Industries © 03-Sep-09