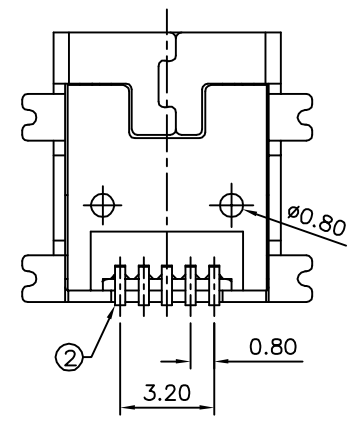
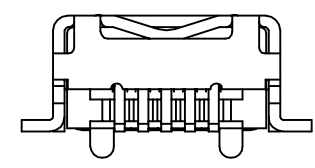
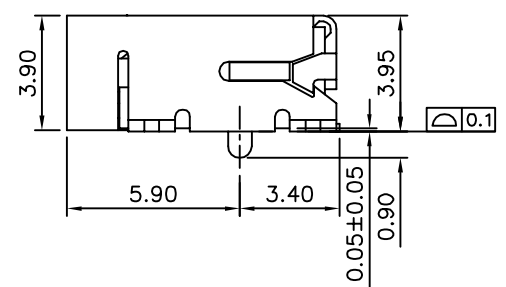
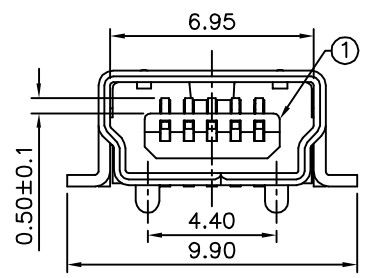


Recommended P.C.B. Layout  
(PCB Board Tolerance  $\pm 0.05$ )



RoHS Compliant

No.	Description	Q'ty	Material	Remark
①	Housing	1	Thermoplastic, UL94V-0	Black
②	Contact	1	Copper Alloy	Gold Plated 30u" On Contact Area, Tin Plated On Solder Tails, Over Nickel
③	Shell	1	Copper Alloy	Tin Plated Over Nickel
④	Mylar	1	8.2X6mm	Yellow

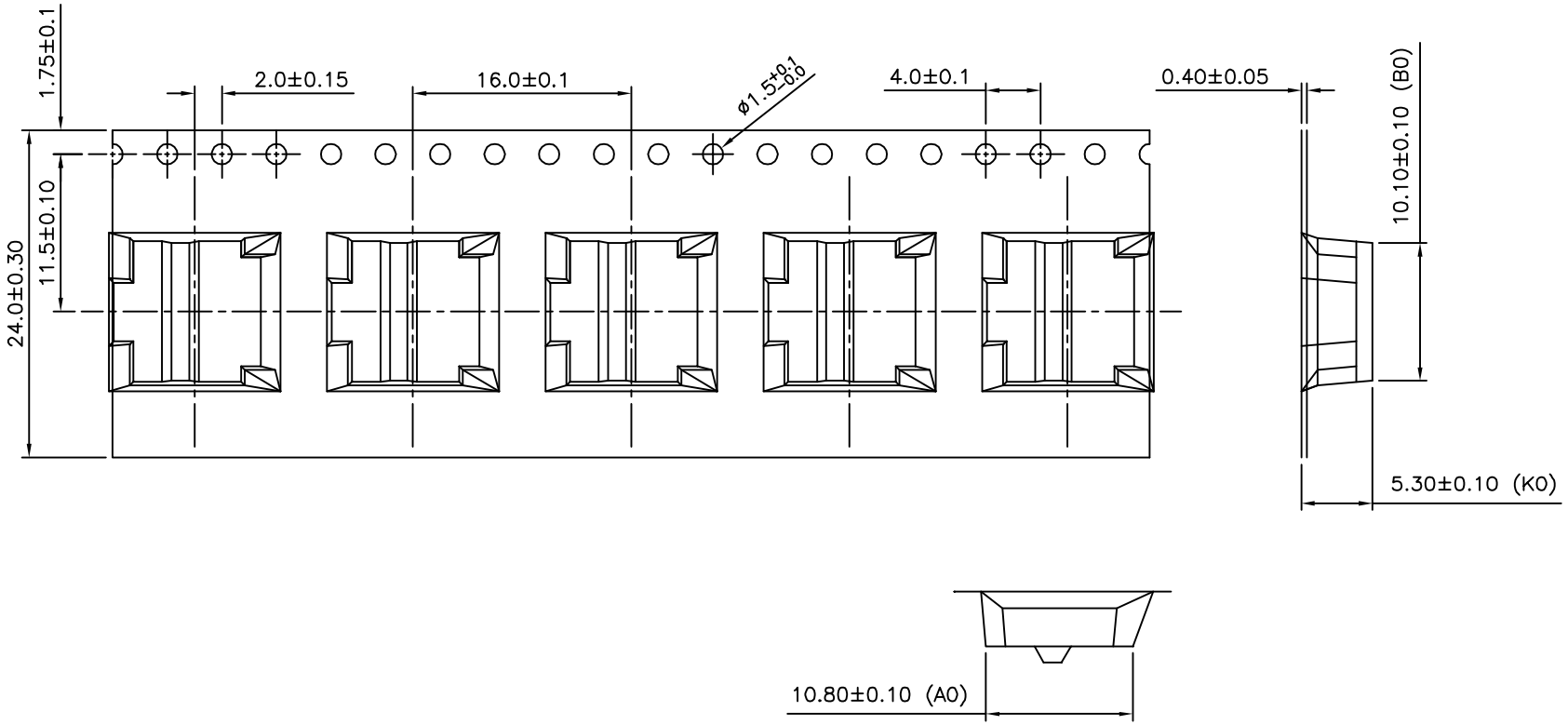
**4UCON** 元化興業股份有限公司  
4UCON TECHNOLOGY INC.

DRAWING No.		APPROVED BY		UNLESS OTHERWISE SPECIFIED TOLERANCES ARE .X ±0.25 X.* ±5" .XX ±0.13 .X.* ±2" .XXX ±0.08 .XX.* ±1"
14850		MEI		
		CHECKED BY		
		HZF		
		DRAWING BY		
		SONG		
SCALE	NONE	REV.	A0	UNIT mm

NO.	REV.	REVISIONS	CHK	DATE
△ A0		NEW RELEASE	HZF	09/27/2011

**SPECIFICATION**

10 Sprocket Hole Pitch Cumulative Tolerance  $\pm 0.2\text{mm}$   
 Carrier Camber Not To Exceed 1mm In 100mm  
 AO And B0 Measured On A Plane 0.3mm Above The Bottom Of The Pocket  
 KO Measured From A Plane On The Inside Bottom Of The Pocket To The Top Surface Of The Carrier  
 All Dimensions Meet EIA-481-C Requirements  
 Material: Transtang ANTI-Static Polystyrene  
 Packing Length Per 13" Reel: 14 M  
 Component Load Per 13" Reel: 800 PCS  
 RoHS Compliant



**4UCON** 元化興業股份有限公司  
 4UCON TECHNOLOGY INC.

DRAWING No.		APPROVED BY		UNLESS OTHERWISE SPECIFIED TOLERANCES ARE					
14850		MEI		.X $\pm 0.30$ X" $\pm 5^\circ$					
		CHECKED BY		.XX $\pm 0.20$ .X" $\pm 2^\circ$					
		HZF		.XXX $\pm 0.10$ .XX" $\pm 1^\circ$					
		DRAWING BY		UNIT					
		SONG		mm					
SCALE	NONE	REV.	AO	NO. REV.		AO	NEW RELEASE	HZF	09/27/2011
				REVISIONS		CHK	DATE		