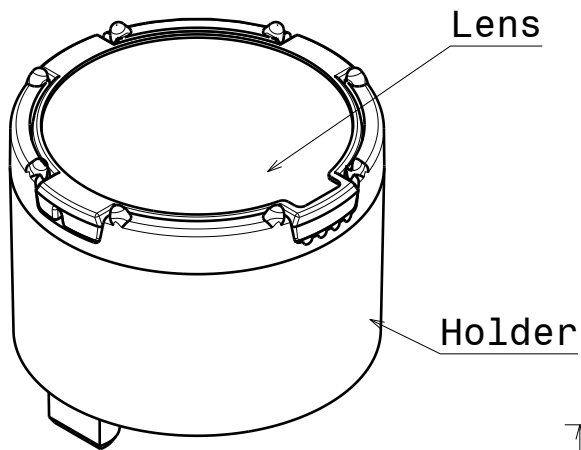


D

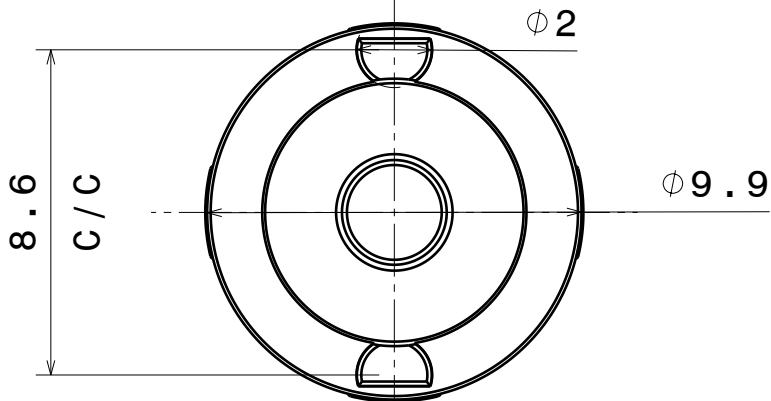
C

B

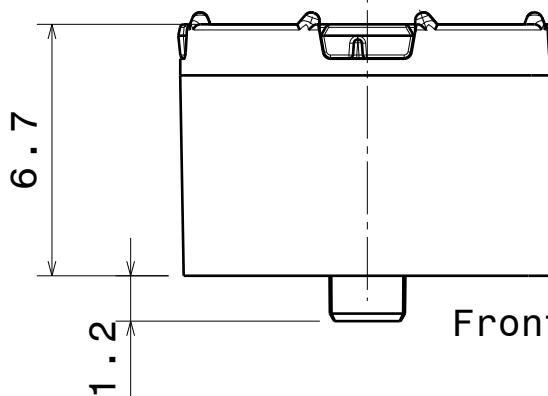
A



Isometric view
Scale: 5:1



Bottom view



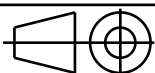
Front view

Tolerances if not otherwise shown
According to DIN ISO 2768-1
Linear measures:
Up to 30mm class M, otherwise class C.
According to DIN ISO 2768-2
Form and position: class L



Ledil Oy
Salorankatu 10
FIN 24240 SALO
Finland

THIRD ANGLE PROJECTION:



DRAWING TITLE

FP11047_LISA2-RS-PIN

This drawing is the property
of LEDiL Oy. It may not be
reproduced, copied or
communicated without a written
agreement with LEDiL Oy."

| | |
|------|-------------|
| SIZE | PART NUMBER |
| A4 | FP11047 |

| | | | | | |
|-------|-----|--------|---|-------|-----|
| SCALE | 5:1 | WEIGHT | - | SHEET | 1/1 |
|-------|-----|--------|---|-------|-----|

D

A