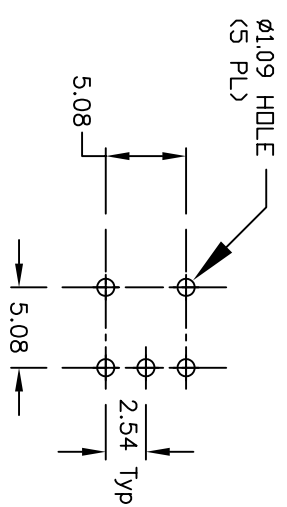
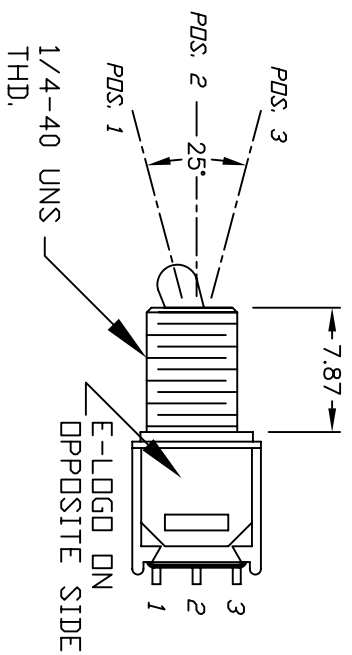
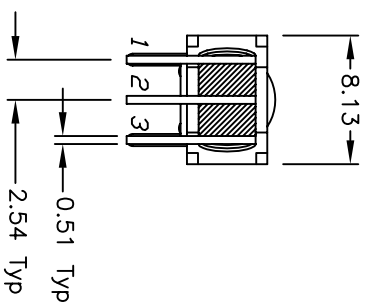
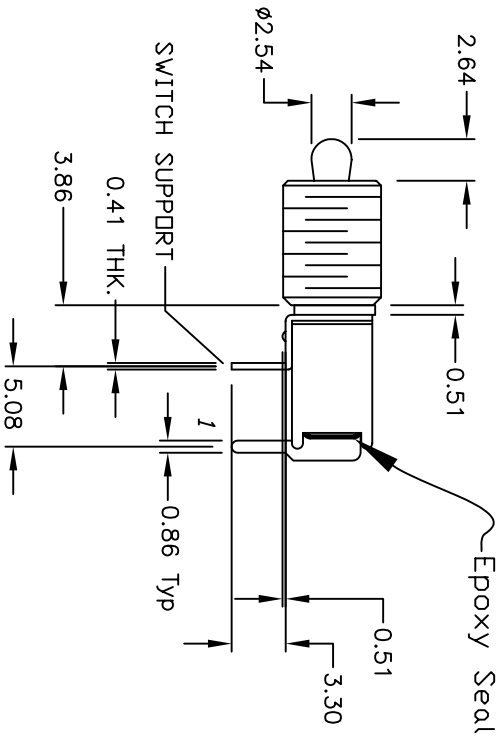
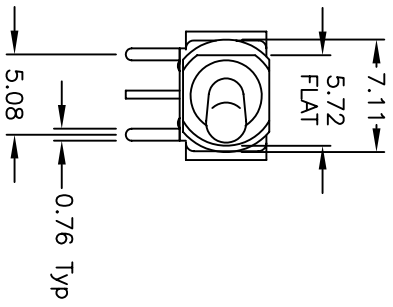


CIRCUIT: SPDT

SWITCH FUNCTION		
POS. 1	POS. 2	POS. 3
DN	NONE	DN
2-3	DPEN	2-1




RECOMMENDED P.C.B LAYOUT



NOTES:

1. ALL DIMENSIONS IN MM
2. GENERAL TOLERANCE: X.X=±0.4
X.XX=±0.25
3. TERM. NOS. FOR REF. ONLY
4. CONTACT RATING: 0.4VA max. @20VAC or 28VDCmax.
5. FIXED TERMINAL & MOVING CONTACT: Copper Alloy w/GOLD plate over Nickel plate.
6. ELECTRIC LIFE: 30,000 make-and-break cycles at full load.
7. INSULATION RESISTANCE: 1,000 M ohm min.
8. DIELECTRIC STRENGTH: 1,000 V RMS @sea level.
9. OPERATING TEMP.: -30°C to 85°C
10. 2002/95/EC (ROHS) COMPLIANT
11. HARDWARE TO BE SUPPLIED BULK:
T100011-LOCK WASHER QTY-1
T100002-LOCK RING QTY-1
T100000-HEX NUT QTY-1

REV.	ECN No.	DESCRIPTION	DATE	CHKD	TN
A	17437	RELEASED FOR PRODUCTION	7/5/07		


E-SWITCH™

200MSP1T2B5M6REH

TITLE

SCALE: 2:1 DATE: 7/5/07 DR: TN DWG: ST211256 REV: A

THE INFORMATION CONTAINED IN THIS DOCUMENT IS PROPRIETARY TO E-SWITCH AND IS NOT TO BE COPIED OR TRANSFERRED