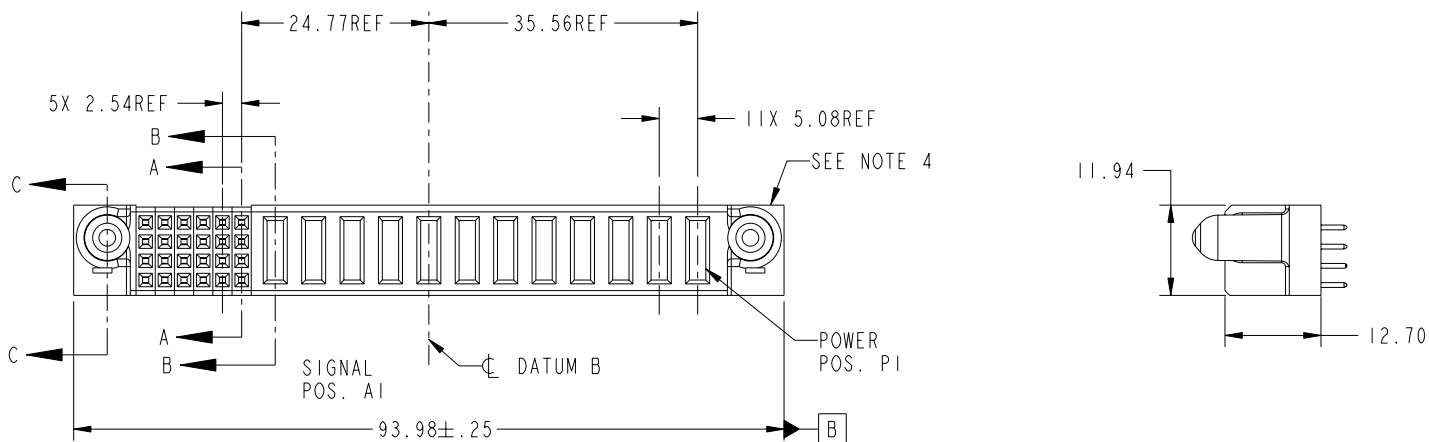


Tous droits strictement réservés. Reproduction ou communication o des tiers interdite sous quelque forme que ce soit sans autorisation écrite du propriétaire. Propriete de c FCI. Droits de reproduction FCI.



All rights strictly reserved. Reproduction or issue to third parties in any form whatever is not permitted without written authority from the proprietor. Property of FCI. Copyright FCI.

PRODUCT NO.	ROWS	SIGNAL					POWER											E1			
		E2	6	5	4	3	2	1	P12	P11	P10	P9	P8	P7	P6	P5	P4		P3	P2	P1
51940-211-- NOTE 3	D C B A		E	E	E	E	E	E	E	E	E	E	E	E	E	E	E	E	E	E	
								PA	PA	PA	PA	PA	PA	PA	PA	PA	PA	PA	PA	PA	



CODE	DIM "M" MATING LENGTH	CONTACT TYPE
PA	.042 [1.07]	POWER
E	N/A [N/A]	SIGNAL

mat'l code				SEE NOTE		tolerances unless otherwise specified		CUSTOMER		www.fciconnect.com	
ltr	ecn no.	dr	date	linear	0.X ±0.3		COPY		title 12P + 24S VERTICAL SOLDER RECEPT		
A	DG07-0038	JULIA	01/24/07		0.XX ±0.13		projection				
					angles	0.XXX ±0.051					
				dr	JULIA WANG	01/24/07	MM		product family PwrBlade		code 213
				engr	RYAN YUAN	01/24/07	← MM →		size		sheet 1 of 4
				chr	BEER FU	01/24/07	scale 1:1		A		51940-211
				appd	JOSEPH HSIA	01/24/07					
sheet index	revision sheet	A 1	A 2	A 3	A 4						
										cage code 22526	4

Pro/E

PDM: Rev:A

STATUS: Released

Printed: Dec 20, 2010

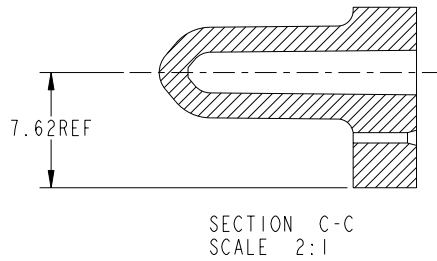
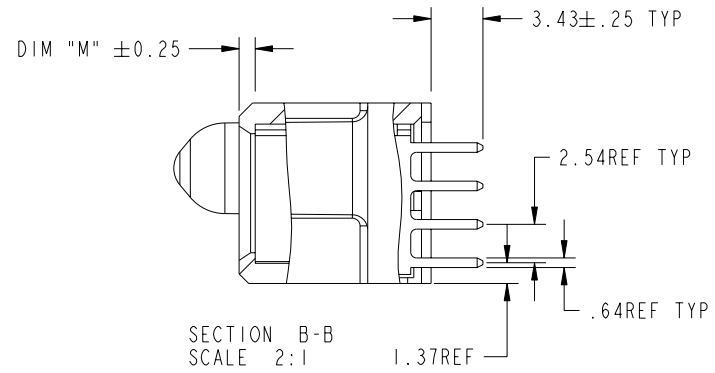
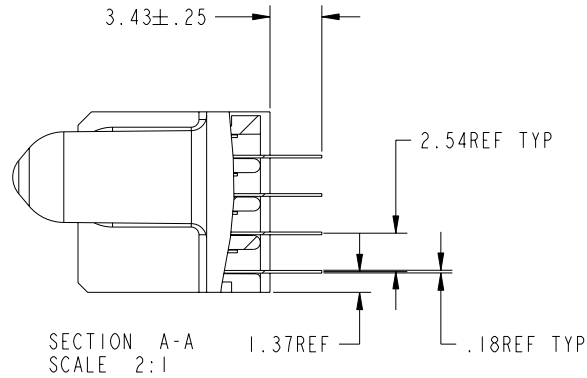
Tous droits strictement reserves. Reproduction ou communication a des tiers interdite sous quelque forme que ce soit sans autorisation ecrite du proprietaire. Propriete de c FCI. Droits de reproduction FCI.

All rights strictly reserved. Reproduction or issue to third parties in any form whatever is not permitted without written authority from the proprietor. Property of FCI. Copyright FCI.



PRODUCT NUMBER

51940-211\_\_  
NOTE: 3



mat'l code				SEE NOTE		tolerances unless otherwise specified		CUSTOMER		FCI www.fciconnect.com	
ltr	ecr no.	dr	date	linear	0.X ± 0.3	projection		COPY		title	
A					0.XX ± 0.13	MM		A		12P + 24S VERTICAL SOLDER RECEIPT	
				angles	0.XXX ± 0.051	scale		product family		code	
				dr	0° ± 2°	1:1		PwrBlade		213	
				enr	JULIA WANG 01/24/07			size		sheet	
				chr	RYAN YUAN 01/24/07			A		2 of 4	
				appd	BEER FU 01/24/07			51940-211			
					JOSEPH HSIA 01/24/07						
sheet index	revision sheet										

Pro/E

cage code 22526

PDM: Rev:A

STATUS: Released

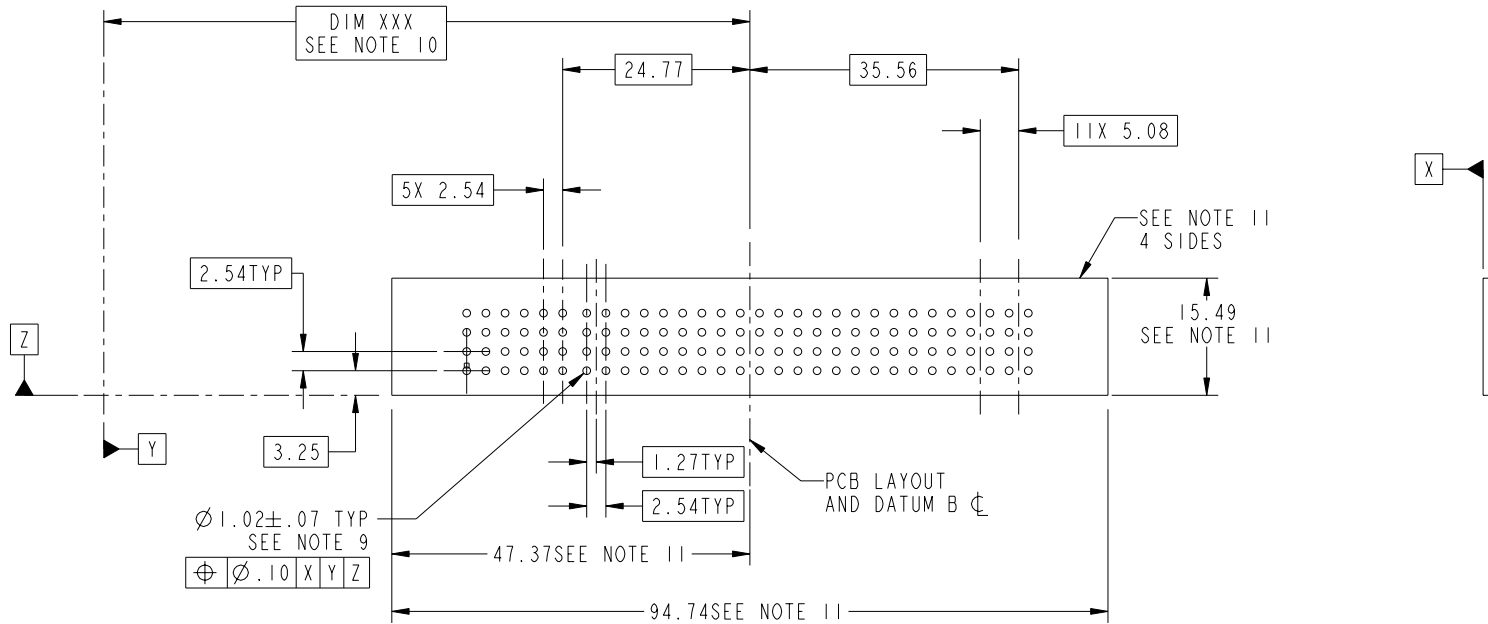
Printed: Dec 20, 2010

Tous droits strictement reserves. Reproduction ou communication o des tiers interdite sous quelque forme que ce soit sans autorisation ecrite du proprietaire. Propriete de c FCI. Droits de reproduction FCI.



All rights strictly reserved. Reproduction or issue to third parties in any form whatever is not permitted without written authority from the proprietor. Property of FCI. Copyright FCI.

PRODUCT NUMBER  
51940-211\_\_  
NOTE: 3



mat'l code		SEE NOTE		tolerances unless otherwise specified		CUSTOMER		FCI www.fciconnect.com	
ltr	ecr no.	dr	date	linear	0.X ± 0.3	COPY		title	
A				projection	0.XX ± 0.13	MM		12P + 24S VERTICAL SOLDER RECEPT	
				angles	0.XXX ± 0.051	scale		product family	
				dr	0° ± 2°	1:1		PwrBlade	
				enr	JULIA WANG 01/24/07			code	
				chr	RYAN YUAN 01/24/07			213	
				appd	BEER FU 01/24/07			size	
					JOSEPH HSIA 01/24/07			dwg no	
sheet index	revision sheet							A 51940-211	
								3 of 4	

cage code 22526

Pro/E

PDM: Rev:A

STATUS: Released

Printed: Dec 20, 2010

Tous droits strictement reserves. Reproduction ou communication a des tiers interdite sous quelque forme que ce soit sans autorisation ecrite du proprietaire. Propriete de c FCI. Droits de reproduction FCI.



All rights strictly reserved. Reproduction or issue to third parties in any form whatever is not permitted without written authority from the proprietor. Property of FCI. Copyright FCI.

PRODUCT NUMBER

51940-211\_\_  
NOTE: 3

NOTES:

1. DIMENSIONS AND TOLERANCES ARE IN ACCORDANCE WITH ASME Y14.5M, 1994 UNLESS OTHERWISE SPECIFIED.

CONNECTOR NOTES:

- ② HOUSING MATERIAL: UL 94 V-0 GLASS FILLED  
HIGH-TEMP THERMOPLASTIC  
POWER CONTACT MATERIAL: COPPER ALLOY  
SIGNAL PIN MATERIAL: COPPER ALLOY
- 3. SEE PRINT 10064183 FOR PLATING SPEC. OF 51940-062;51940-062LF
- ④ MANUFACTURER'S NAME, P/N, AND DATE CODE TO APPEAR ON THIS SURFACE.
- 5. PRODUCT SPECIFICATION GS-12-149.  
APPLICATION SPECIFICATION BUS-20-067.
- 6. PACKAGED IN TRAYS.

PCB NOTES:

- 7. ALL HOLE DIAMETERS ARE FINISHED HOLE SIZE.
- ⑧ MOUNTING HOLES, WHERE APPLICABLE, ARE UNPLATED.
- ⑨  $\varnothing .0453 \pm .0010$  [1.151  $\pm$  0.025] DRILLED HOLES PLATED WITH .0003 [0.008] MIN SnPb OR Sn OVER .001 [0.03] TO .003 [0.08] Cu PLATING TO ACHIEVE  $\varnothing .040 \pm .003$  [1.02  $\pm$  .07] HOLE.
- ⑩ "DIM XXX" TO BE DETERMINED BY THE CUSTOMER.
- ⑪ CONNECTOR KEEP-OUT ZONE.

mat'l code		SEE NOTE		tolerances unless otherwise specified		CUSTOMER		www.fciconnect.com	
ltr	ecr no.	dr	date	linear	0.X $\pm$ 0.3	COPY		title	
A					0.XX $\pm$ 0.13	projection		12P + 24S VERTICAL SOLDER RECEPT	
				angles	0.XXX $\pm$ 0.051			product family	
				dr	0° $\pm$ 2°			PwrBlade	
				enr	JULIA WANG 01/24/07	scale		code	
				chr	RYAN YUAN 01/24/07	1:1		213	
				appd	BEER FU 01/24/07			sheet	
					JOSEPH HSIA 01/24/07			4 of 4	
sheet index	revision sheet								



www.fciconnect.com

12P + 24S  
VERTICAL SOLDER RECEPT

MM

scale 1:1

product family PwrBlade code

size dwg no 213

A 51940-211 sheet

4 of 4

cage code 22526

Pro/E

PDM: Rev:A

STATUS: Released

Printed: Dec 20, 2010