



PART NAME

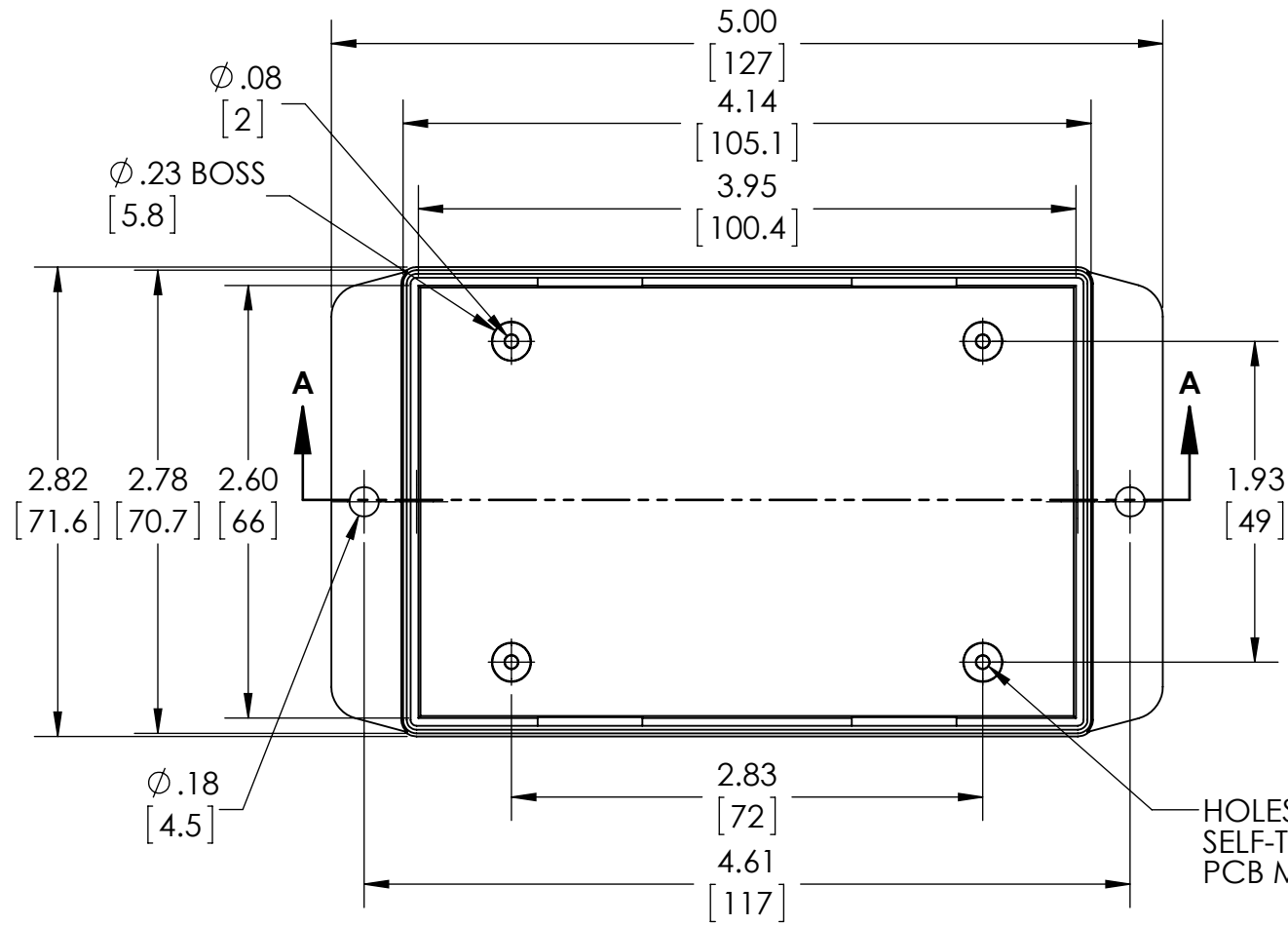
SNAP UTILITY BOX

PART No.

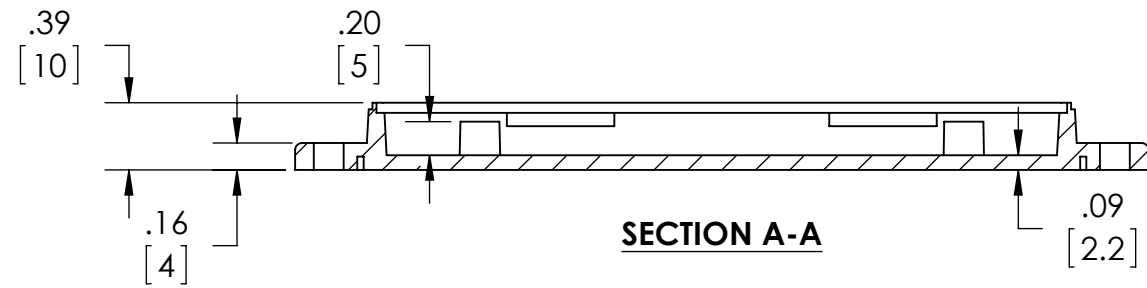
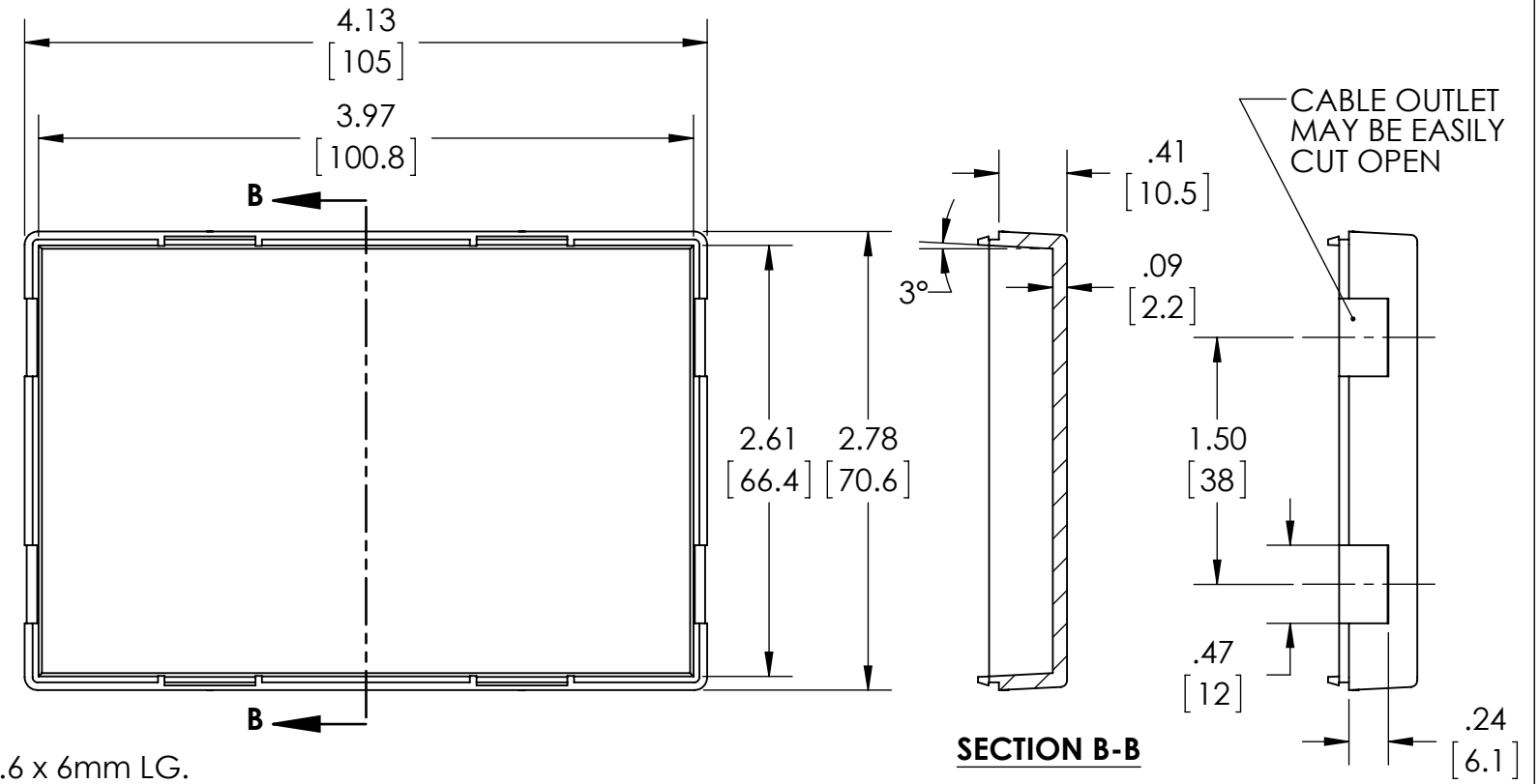
CU-18427-B CU-18427-W

REVISION DATE

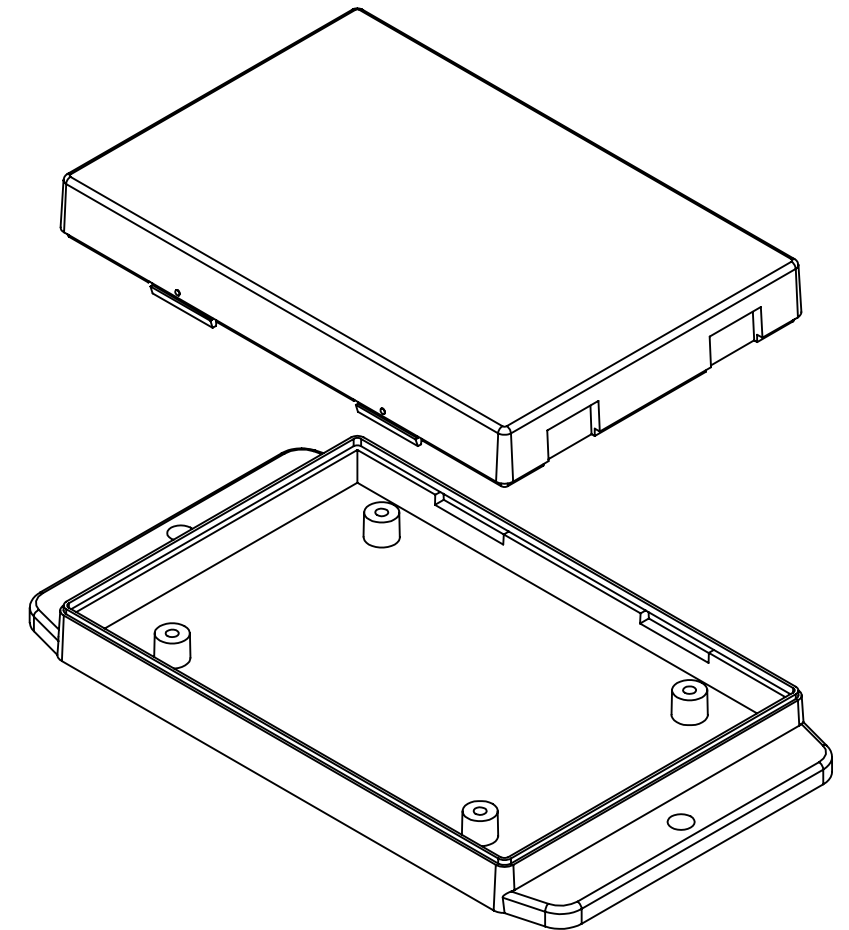
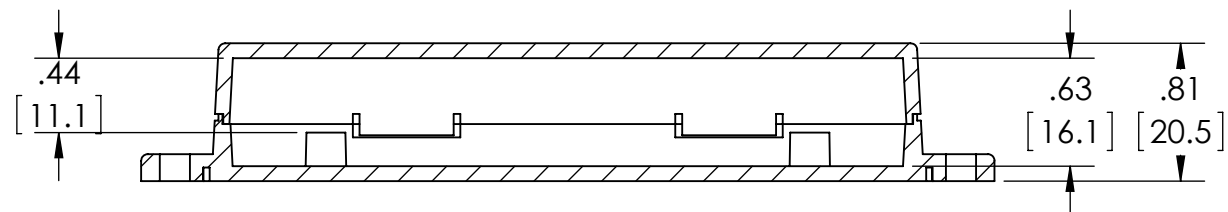
10-7-14



HOLES ACCEPT M2.6 x 6mm LG. SELF-TAPPING SCREWS FOR PCB MOUNTING



SECTION A-A



MATERIAL:
ABS UL94-HB

COLOR:
BLACK OR WHITE

DIMENSIONS IN INCH[MM]

DRAWING FOR REFERENCE