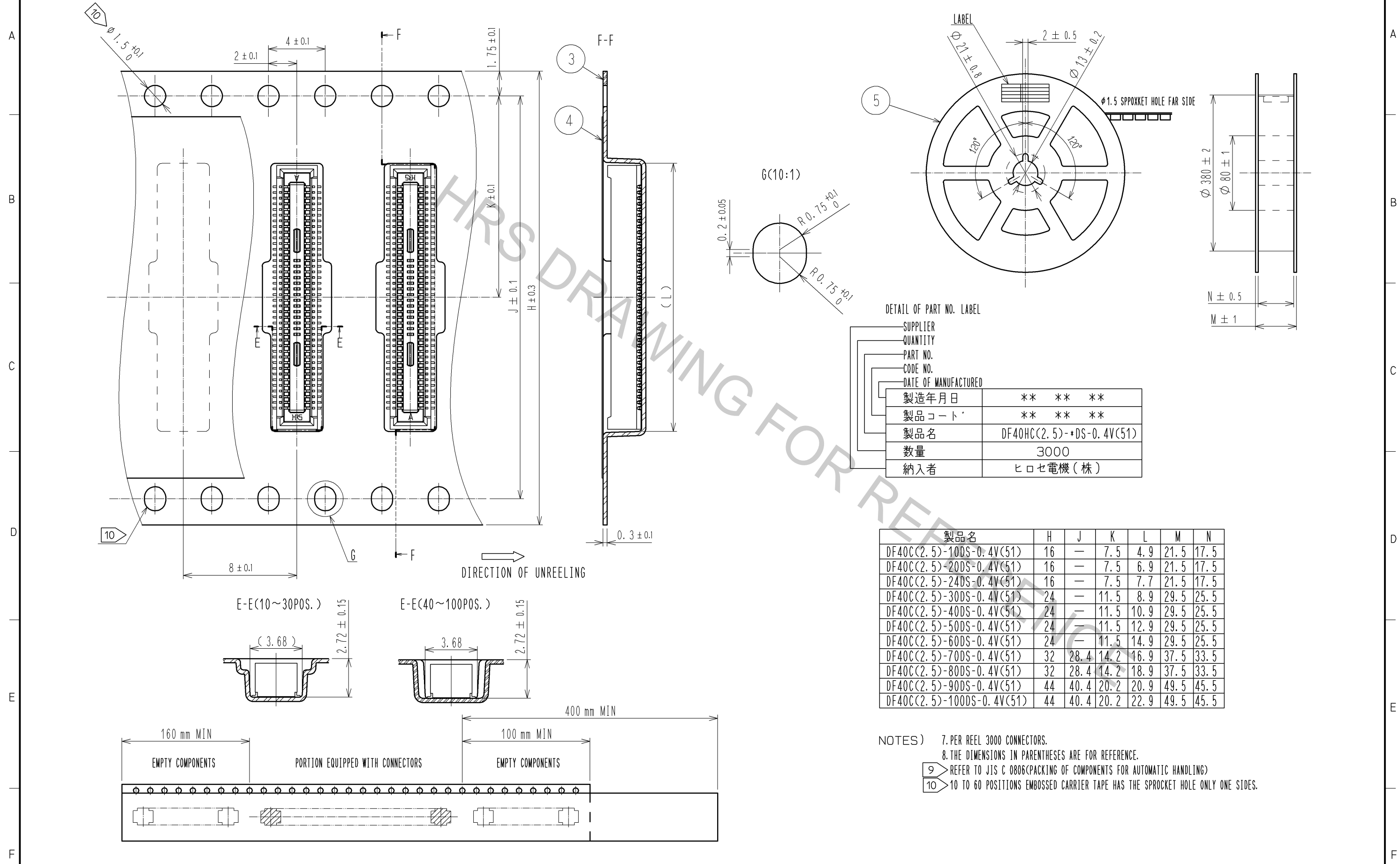


製品名	製品コード	B	C	D
DF40C(2.5)-10DS-0.4V(51)	—	4.6	1.6	1.0
DF40C(2.5)-20DS-0.4V(51)	CL684-4101-2-51	6.6	3.6	1.0
DF40C(2.5)-24DS-0.4V(51)	—	7.4	4.4	1.2
DF40C(2.5)-30DS-0.4V(51)	—	8.6	5.6	1.5
DF40C(2.5)-40DS-0.4V(51)	—	10.6	7.6	3.2
DF40C(2.5)-50DS-0.4V(51)	CL684-4126-3-51	12.6	9.6	3.2
DF40C(2.5)-60DS-0.4V(51)	CL684-4085-8-51	14.6	11.6	3.2
DF40C(2.5)-70DS-0.4V(51)	—	16.6	13.6	3.2
DF40C(2.5)-80DS-0.4V(51)	—	18.6	15.6	3.2
DF40C(2.5)-90DS-0.4V(51)	—	20.6	17.6	3.2
DF40C(2.5)-100DS-0.4V(51)	—	22.6	19.6	3.2

2	PHOSPHOR BRONZE	CONTACT AREA:GOLD 0.05 μm MIN SMT LEAD:GOLD 0.05 μm MIN UNDERPLATING:NICKEL 1 μm MIN	5	PS	BLACK		
1	LCP	BLACK, UL94V-0	4	POLYESTER	CLEAR, COVER TAPE		
			3	PS	CLEAR, EMBOSSED CARRIER TAPE		
NO.	MATERIAL	FINISH . REMARKS	NO.	MATERIAL	FINISH . REMARKS		
UNITS	mm	SCALE 10:1	COUNT	DESCRIPTION OF REVISIONS	DESIGNED	CHECKED	DATE
HIROSE ELECTRIC CO., LTD.		APPROVED : KH. IKEDA 08.12.19	DRAWING NO. EDC3-318047-01				
		CHECKED : TS. MIYAZAKI 08.12.19	PART NO. DF40HC(2.5)-*DS-0.4V(51)				
		DESIGNED : AR. TAKAHASHI 08.12.19	CODE NO. CL684				
		DRAWN : AK. AOYAGI 08.12.18	1/2				

EMBOSSED CARRIER TAPE PACKAGING (5:1)

STYLE AND DIMENSION OF REEL(FREE SIZE)



DETAIL OF PART NO. LABEL

SUPPLIER	
QUANTITY	
PART NO.	
CODE NO.	
DATE OF MANUFACTURED	
製造年月日	** ** *
製品コード	** ** *
製品名	DF40HC(2.5)-*DS-0.4V(51)
数量	3000
納入者	ヒロセ電機(株)

製品名	H	J	K	L	M	N
DF40C(2.5)-10DS-0.4V(51)	16	—	7.5	4.9	21.5	17.5
DF40C(2.5)-20DS-0.4V(51)	16	—	7.5	6.9	21.5	17.5
DF40C(2.5)-24DS-0.4V(51)	16	—	7.5	7.7	21.5	17.5
DF40C(2.5)-30DS-0.4V(51)	24	—	11.5	8.9	29.5	25.5
DF40C(2.5)-40DS-0.4V(51)	24	—	11.5	10.9	29.5	25.5
DF40C(2.5)-50DS-0.4V(51)	24	—	11.5	12.9	29.5	25.5
DF40C(2.5)-60DS-0.4V(51)	24	—	11.5	14.9	29.5	25.5
DF40C(2.5)-70DS-0.4V(51)	32	28.4	14.2	16.9	37.5	33.5
DF40C(2.5)-80DS-0.4V(51)	32	28.4	14.2	18.9	37.5	33.5
DF40C(2.5)-90DS-0.4V(51)	44	40.4	20.2	20.9	49.5	45.5
DF40C(2.5)-100DS-0.4V(51)	44	40.4	20.2	22.9	49.5	45.5

- NOTES) 7. PER REEL 3000 CONNECTORS.
 8. THE DIMENSIONS IN PARENTHESES ARE FOR REFERENCE.
 9 REFER TO JIS C 0806(PACKING OF COMPONENTS FOR AUTOMATIC HANDLING)
 10 10 TO 60 POSITIONS EMBOSSD CARRIER TAPE HAS THE SPROCKET HOLE ONLY ONE SIDES.

HRS	DRAWING NO.	EDC3-318047-01
	PART NO.	DF40HC(2.5)-*DS-0.4V(51)
	CODE NO.	CL684
		△ 2/2