



PART NAME

NEMA 4X PLASTIC BOX (PTS SERIES)

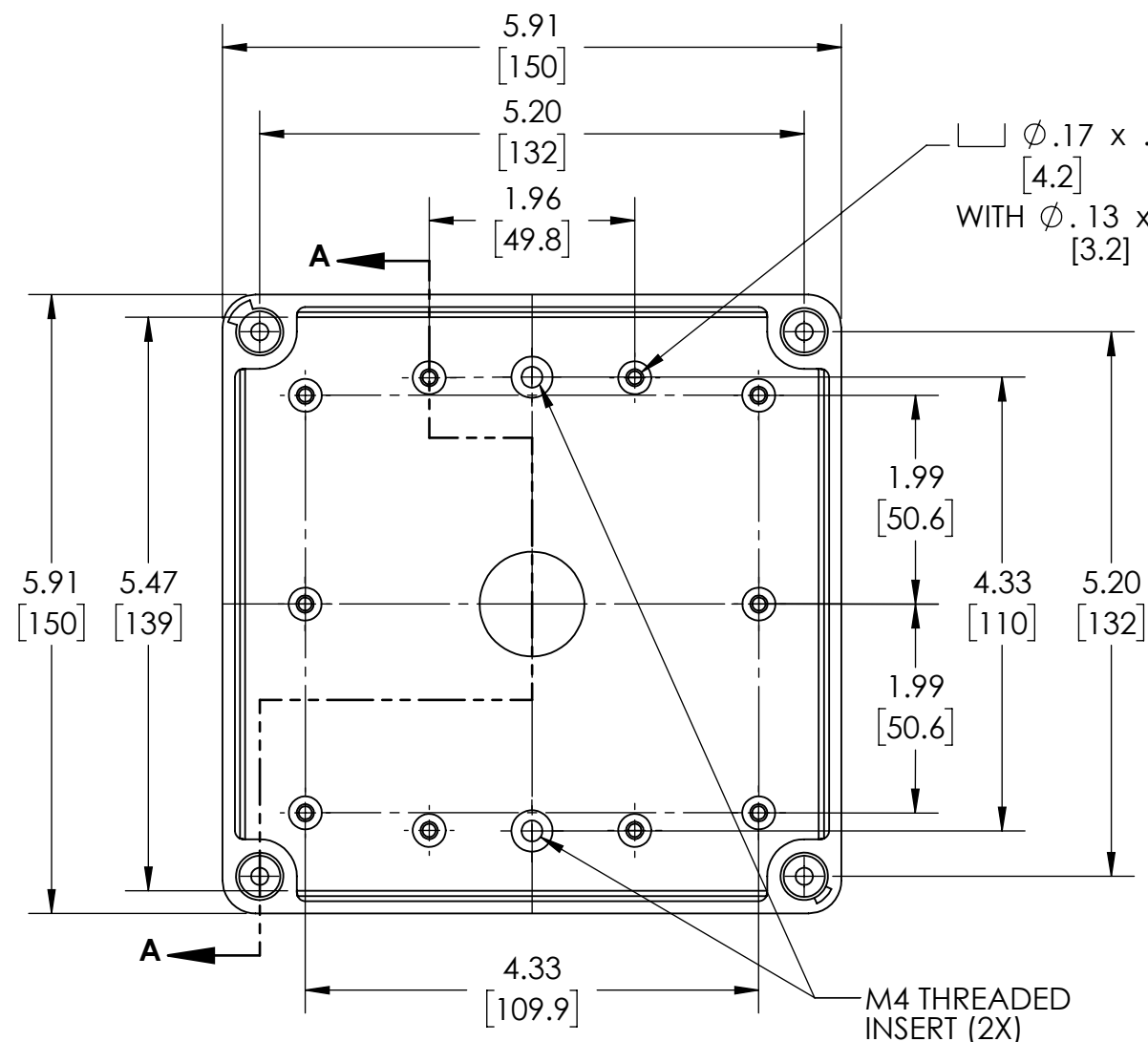
PART No.

PTS-25315 & PTS-25315-C

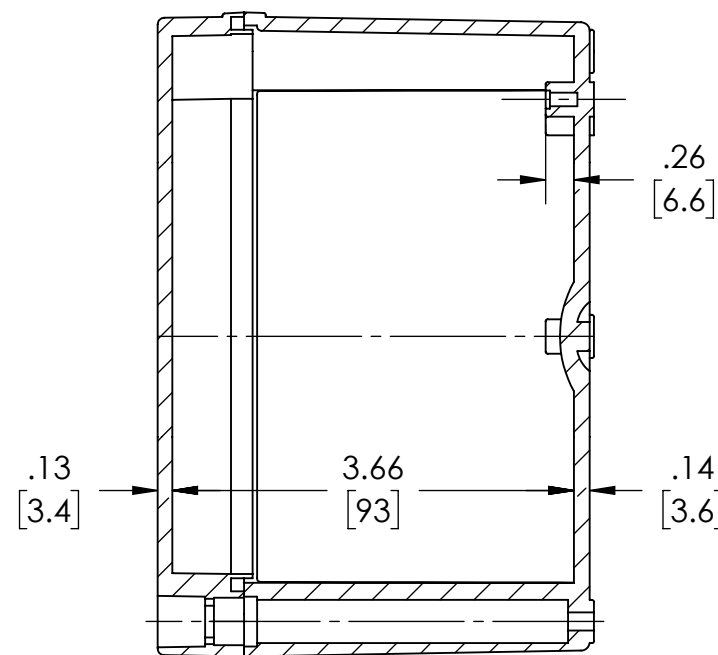
REVISION DATE

5-2-16

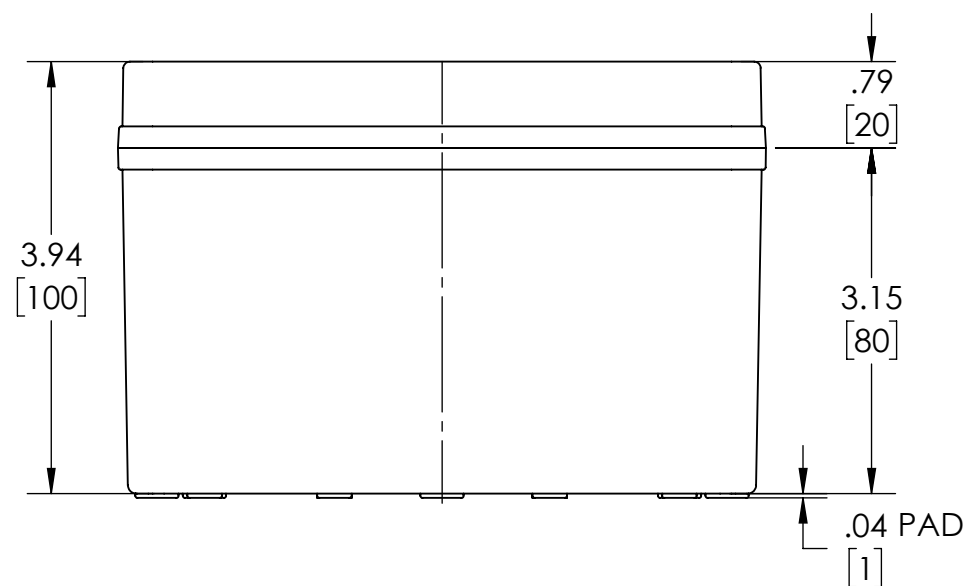
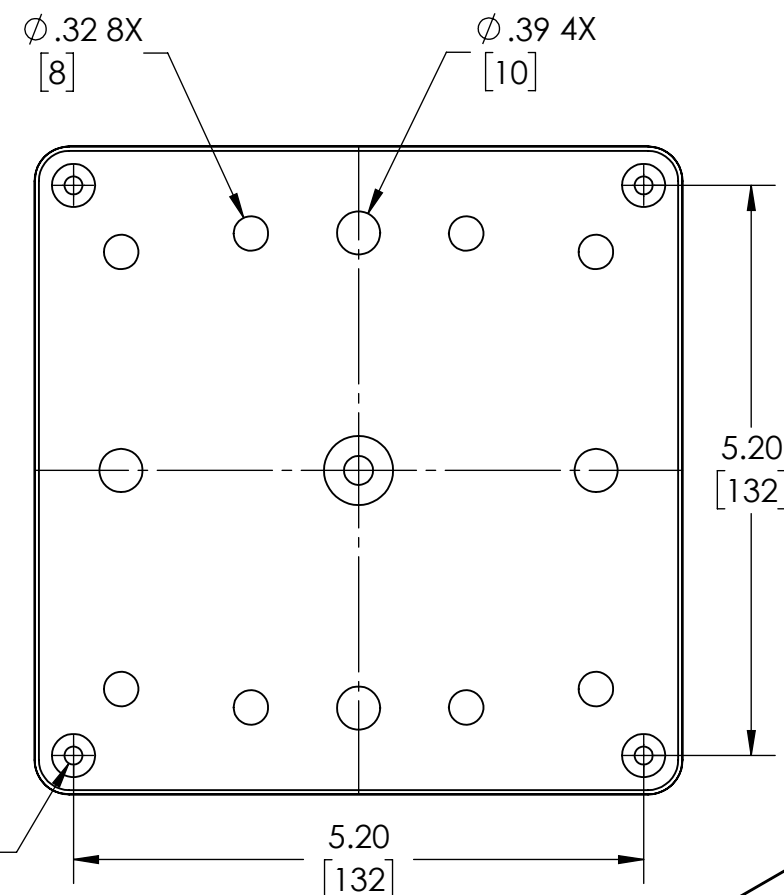
DRAWING FOR REFERENCE
WE RESERVE THE RIGHT TO MAKE CHANGES TO OUR STANDARD PRODUCTS. PLEASE CONSULT WITH BUD INDUSTRIES PRIOR TO USING THIS DRAWING FOR DESIGN PURPOSE.



COVER NOT SHOWN



SECTION A-A



NOTES:

- 1- MATERIAL: BODY - GRAY POLYCARBONATE RESIN 10% GLASS FIBER FILLED
COVER - GRAY OR CLEAR (-C SUFFIX) POLYCARBONATE
- 2- UL508 / NEMA TYPE 4X WITH IP-67 TUV RATING & UL-94V0
- 3- CONTINUOUS Poured FOAM GASKET IN COVER
- 4- COVER ATTACHES WITH NON-METALLIC CAPTIVE SCREWS (ITEMS NOT SHOWN)
- 5- SUPPLIED WITH TWO M4 x 8mm LG. PAN HEAD ZINC PLATED STEEL SCREWS (ITEMS NOT SHOWN)
- 6- DIMENSIONS ARE INCH [MM]

OPTIONAL ACCESSORIES:

- STEEL INTERNAL PANEL #PTX-25315
- PLASTIC INTERNAL PANEL #PTX-25315-P
- MOUNTING BRACKET KIT (STAINLESS STEEL) #NBX-10922
- MOUNTING BRACKET KIT (PLASTIC) #PIX-4117

