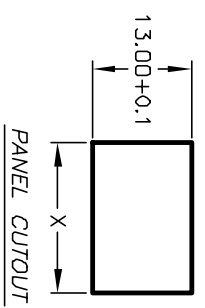
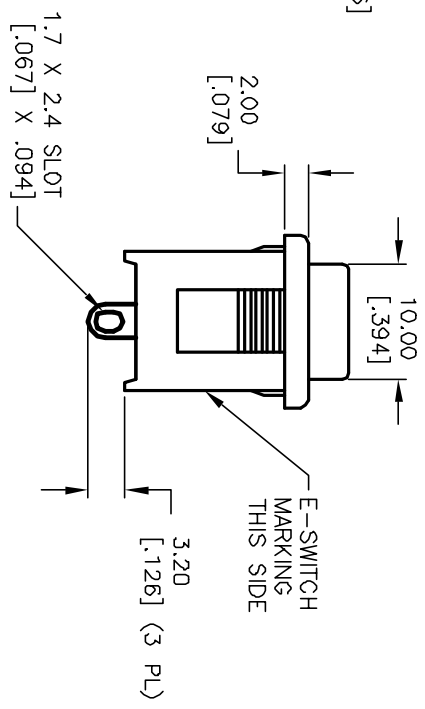
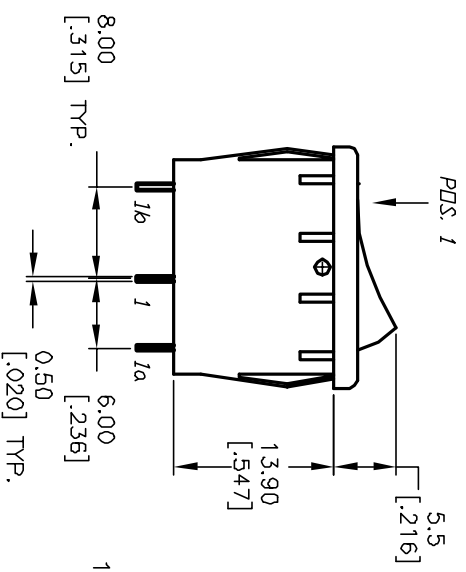
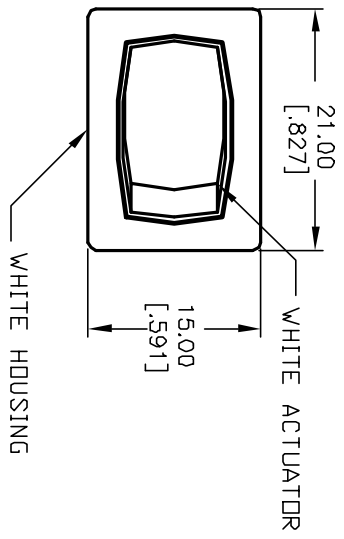
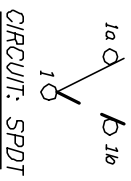


PANEL THICKNESS	X
0.75-1.25	[.030-.049] 19.2 [.756]
1.25-2.0	[.049-.079] 19.4 [.764]
2.0-3.0	[.079-.118] 19.8 [.780]



SWITCH FUNCTION		
POS. 1	POS. 2	POS. 3
DN	OFF	DN
1a-1	DPEN	1-1b



NOTES:

1. ALL DIMENSIONS IN MM [INCH]
2. GENERAL TOLERANCE: X,X=±0.4 X,XX=±0.25
3. TERMINAL NUMBERS FOR REF ONLY.
4. RATING: 15A @ 125VAC OR 6A @ 250VAC
5. MECHANICAL LIFE: 15,000 cycles
6. ELECTRICAL LIFE: 10,000 cycles
7. INSULATION RESISTANCE: >1000 Mega Ω
8. CONTACT RESISTANCE: <20 Mega Ω
9. DIELECTRIC STRENGTH: >1500 V 1 minute >3000 V between poles

E-SWITCH®

R1966D WHTWHT E S

REV.	ECN No.	DESCRIPTION	DATE	CHKD
B	12296	REVISED DIMENSION	7/9/02	CJB
A	11662	RELEASED FOR PRODUCTION	9/18/01	CJB

TITLE	SCALE	DATE	DR	DWG	REV
R1966D WHTWHT E S	1.5:1	9/18/01	CB	M309308	B

THE INFORMATION CONTAINED IN THIS DOCUMENT IS PROPRIETARY TO E-SWITCH AND IS NOT TO BE COPIED OR TRANSFERRED