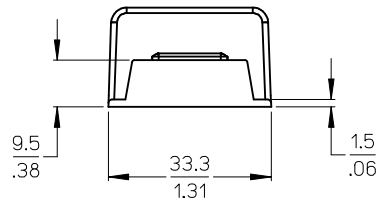
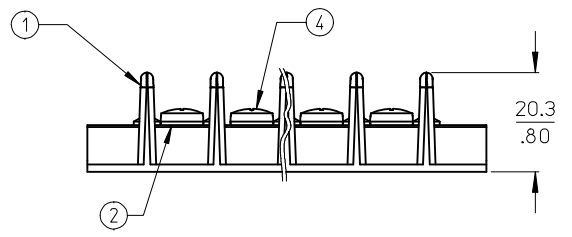
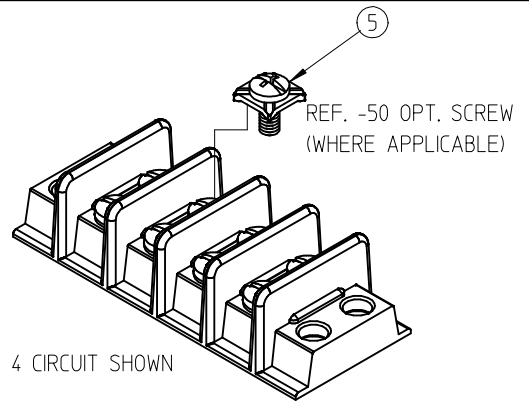
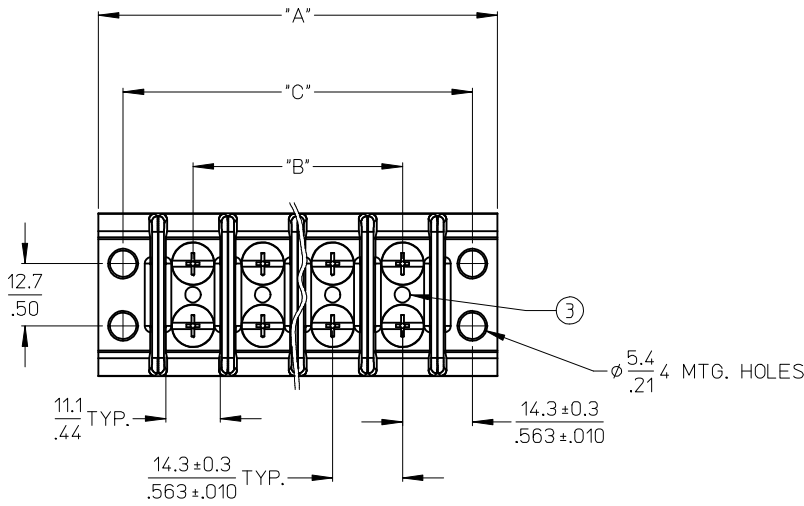


10		9		8		7		6		5		4		3		2		1	
MATERIAL NO. STD OPT	MATERIAL NO. -50 OPT	NO. OF CIRCUITS	DIM. "A"		DIM. "B"		DIM. "C"												
			mm	in	mm	in	mm	in											
382210002	382210302	02	53.1	2.09	14.3	.56	42.8	1.69											
382210003	382210303	03	67.5	2.66	28.6	1.13	57.1	2.25											
382210004	382210304	04	81.7	3.22	42.8	1.69	71.4	2.81											
382210005	382210305	05	96.0	3.78	57.1	2.25	85.7	3.38											
382210006	382210306	06	110.2	4.34	71.4	2.81	100.0	3.94											
382210007	382210307	07	124.6	4.91	85.7	3.38	114.3	4.50											
382210008	382210308	08	138.9	5.47	100.0	3.94	128.5	5.06											
382210009	382210309	09	153.2	6.03	114.3	4.50	142.7	5.62											
382210010	382210310	10	167.4	6.59	128.5	5.06	157.1	6.19											
382210011	382210311	11	181.8	7.16	142.7	5.62	171.4	6.75											
382210012	382210312	12	196.0	7.72	157.1	6.19	185.7	7.31											
382210013	382210313	13	210.3	8.28	171.4	6.75	200.0	7.88											
382210014	382210314	14	224.5	8.84	185.7	7.31	214.3	8.44											
382210015	382210315	15	239.0	9.41	200.0	7.88	228.6	9.00											



- NOTES:
1. MATERIAL: SEE TABLE
 2. FINISHES: SEE TABLE
 3. "XX" REFERS TO THE NUMBER OF CIRCUITS
 4. ROHS COMPLIANT

ITEM	QTY.	DESCRIPTION	MATERIAL	FINISH
5	"XX" *2	SCREW, #8-32, PAN HD., PHIL-SLOT, W/WASHER (-50 OPT)	STEEL	ZN, CLEAR CHROMATE
4	"XX" *2	SCREW, #8-32, BIND. HD., PHIL-SLOT, (STD)	STEEL	ZN, CLEAR CHROMATE
3	"XX"	SCREW, U-DRIVE, #0	STEEL	ZN, CLEAR CHROMATE
2	"XX"	EYELET TWIN TERMINAL	BRASS	NICKEL PLATE
1	1	MOLDING, CB BTS, 600V	PHENOLIC	BLACK

REDRAWN, ADD -50 OPT
 EC NO: IPG2013-1610
 DRAWN: JENCINAS 2013/05/06
 CHKD: JMACNEIL 2013/05/06
 APPR: JMACNEIL 2013/06/06

QUALITY SYMBOLS
 ▽=0
 ▽=0

GENERAL TOLERANCES (UNLESS SPECIFIED)

	mm	INCH
4 PLACES	± ---	± ---
3 PLACES	± ---	± .005
2 PLACES	± 0.13	± .01
1 PLACE	± 0.3	± ---
ANGULAR ± 2 °		

DRAFT WHERE APPLICABLE
 MUST REMAIN WITHIN DIMENSIONS

DIMENSION STYLE
MM/IN

DRAWN BY DATE
 JENCINAS 2013/05/06

CHECKED BY DATE
 JMACNEIL 2013/05/06

APPROVED BY DATE
 JMACNEIL 2013/06/06

MATERIAL NO.
SEE CHART

SIZE
B

SCALE
1:1

DESIGN UNITS
INCH

THIRD ANGLE PROJECTION

TITLE
**.563" DOUBLE ROW BTS.
 .800" TALL RIBS,
 CLOSED BOTTOM**

molex MOLEX INCORPORATED

DOCUMENT NO.
SD-38221-001

SHEET NO.
1 OF 1

THIS DRAWING CONTAINS INFORMATION THAT IS PROPRIETARY TO MOLEX INCORPORATED AND SHOULD NOT BE USED WITHOUT WRITTEN PERMISSION