

4

3

2

1

THIS DRAWING IS UNPUBLISHED.

RELEASED FOR PUBLICATION

© COPYRIGHT

BY TYCO ELECTRONICS CORPORATION.

ALL RIGHTS RESERVED.

LOC J

DIST

REVISIONS

変更

DESCRIPTION

DATE

DWN

APVD

P

LTR

B REVISED

19NOV2008

M.K

T.Y

D

D

C

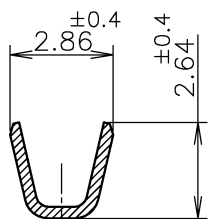
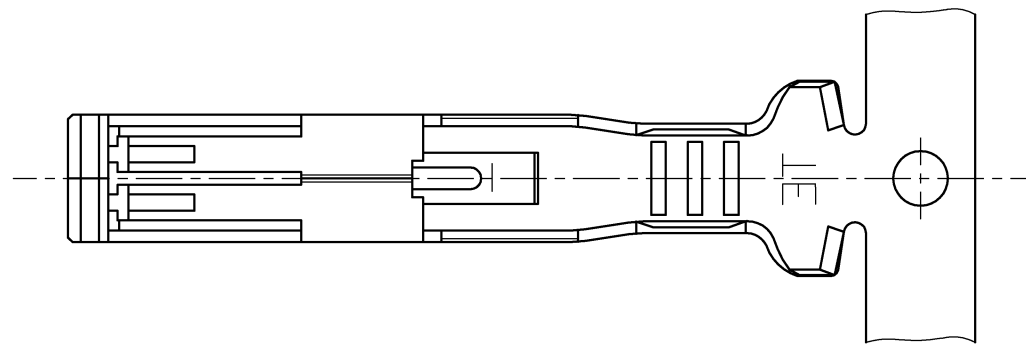
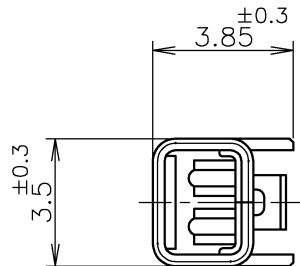
C

B

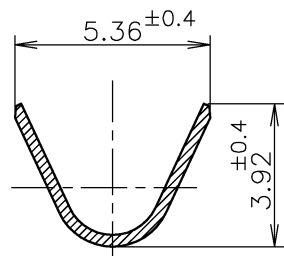
B

A

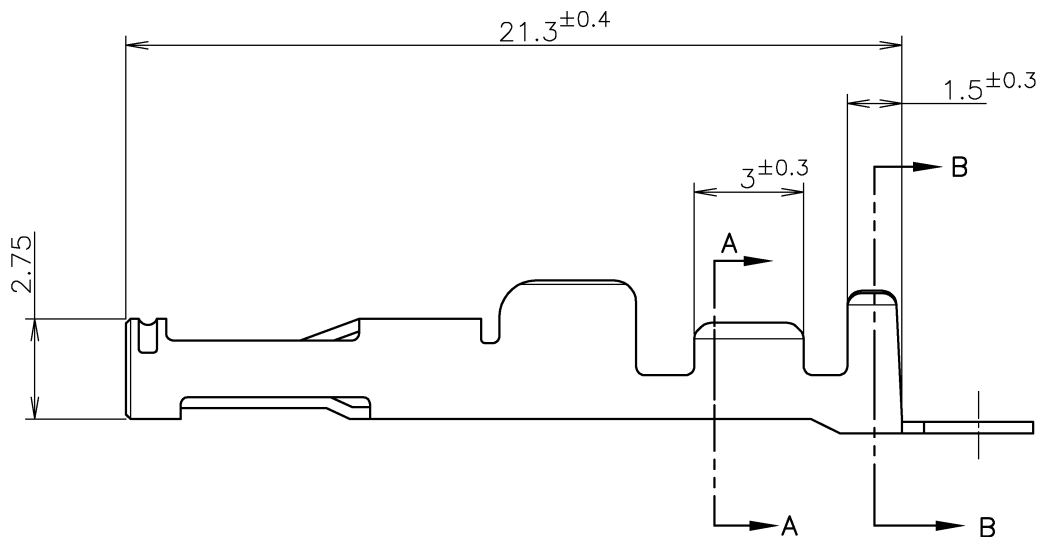
A



SECT. A-A



SECT. B-B



注記;

△ 材料: 銅合金
 △ 仕上げ: 材料めっき
 全面ニッケル下地めっきの上に
 接触部: 金めっき
 圧着部: 錫めっき

△ 仕上げ: 全面錫めっき
 4 使用コネクタ型番: X-1981377-X

△ 一般公差
 10以下: ±0.2
 10を越え30以下: ±0.25
 30を越え100以下: ±0.3
 角度: ±3°

NOTES;

△ MATERIAL: COPPER ALLOY

△ FINISH: PRE-PLATED
 NICKEL PL ALL OVER
 CONTACT AREA: GOLD PL.
 BARREL AREA: TIN-LEAD PL.

△ FINISH: TIN PL ALL OVER.

4 USED CONNECTOR P/N: X-1981377-X

△ GENERAL TOLERANCE

10 ≥ : ±0.2
 30 ≥ 10 : ±0.25
 100 ≥ 30 : ±0.3
 ANGLES: ±3°

△	1-1981378-1
△	1981378-1
仕上げ FINISH	P/N

WIRE RANGE 絶縁電線断面積	INSULATION DIA 被覆外径
0.52~1.38mm ² (AWG20~16)	φ1.82~3.21 mm

THIS DRAWING IS A CONTROLLED DOCUMENT.		DWN M.KATO	17APR2008	Tyco Electronics AMP K.K. Kawasaki, Japan	
DIMENSIONS: 単位: 耗 mm		CHK T.YAMADA	17APR2008	RECEPTACLE CONTACT HYBRID MINI CT DRAWER POWER CONTACT	
TOLERANCES UNLESS OTHERWISE SPECIFIED: 一般公差		APVD T.YAMADA	17APR2008	NAME 名称	RESTRICTED TO
0 PLC ± 1 PLC ± 2 PLC ± 3 PLC ± 4 PLC ± ANGLES ±		PRODUCT SPEC 製品規格 108-78473		SIZE A3	CAGE CODE 00779
MATERIAL 材料 1		APPLICATION SPEC 取付適用規格 114-5427		DRAWING NO 番号 G-1981378	SCALE 尺度 5:1
FINISH 仕上 2 3		WEIGHT		SHEET 1 of 1	REV B
		CUSTOMER DRAWING			