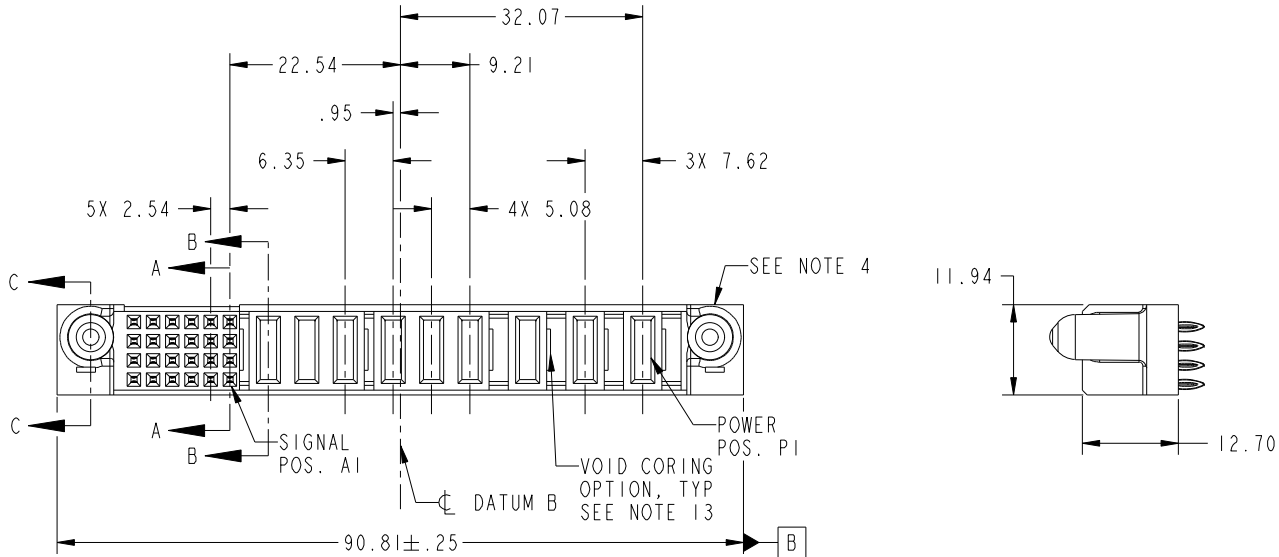


Tous droits strictement réservés. Reproduction ou communication a des tiers interdite sous quelque forme que ce soit sans autorisation écrite du propriétaire. Propriété de c.FCI. Droits de reproduction FCI.

All rights strictly reserved. Reproduction or issue to third parties in any form whatever is not permitted without written authority from the proprietor. Property of FCI. Copyright FCI.



PRODUCT NO. 51940-107-- NOTE: 3	ROWS D C B A	SIGNAL					POWER								E1						
		E2	6	5	4	3	2	1	P9	P8	P7	P6	P5	P4		P3	P2	P1			
			F	F	F	F	F	F	F	F	F	F	F	F	F	F	F	F	F	F	



CODE	DIM "M" MATING LENGTH	CONTACT TYPE
F	[N/A]	SIGNAL
PC	[1.07]	POWER
PF	[2.34]	POWER

mat'l code				SEE NOTE		tolerances unless otherwise specified		CUSTOMER		 www.fciconnect.com	
lir	ecn no.	dr	date	linear	0.X ± 0.5	COPY		projection		title	
A	V04-1038	TAB	10/20/04	linear	0.XX ± 0.25	MM				9P + 24S	
B	DG05-0258	SJ	07/26/05	angles	0.XXX ± 0.10	scale		1:1		VERTICAL PRESS-FIT RECEPT	
C	DG07-0498	JW	09/15/08	dr	0° ± 2°	product family		PwrBlade		code	
				enrg	T. BRUNGARD 10/20/04	size		A 51940-107		213	
				chr	M. GRAY 10/20/04	dwg no				sheet	
				appd	M. GRAY 10/20/04	1 of 4					
sheet index	revision sheet	C 1	C 2	C 3	C 4						

A

A

B

B

1 | 2

Pro/E

PDM: Rev: C

STATUS: Released

Printed: Dec 20, 2010

3

4

cage code 2856

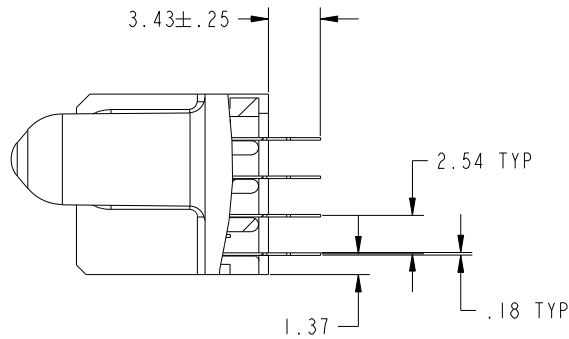
4

Tous droits strictement reserves. Reproduction ou communication a des tiers interdite sous quelque forme que ce soit sans autorisation ecrite du proprietaire. Propriete de c.FCI. Droits de reproduction FCI.

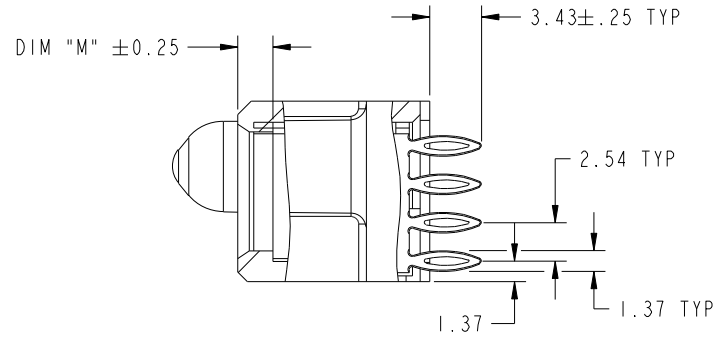
All rights strictly reserved. Reproduction or issue to third parties in any form whatever is not permitted without written authority from the proprietor. Property of FCI. Copyright FCI.



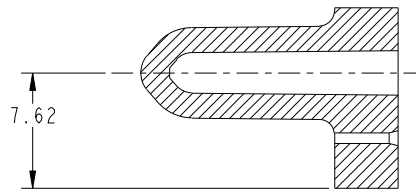
PRODUCT NUMBER  
51940-107--  
NOTE: 3



SECTION A-A  
SCALE 2:1



SECTION B-B  
SCALE 2:1



SECTION C-C  
SCALE 2:1

mat'l code		SEE NOTE		tolerances unless otherwise specified		CUSTOMER		 www.fciconnect.com	
lfr	ecn no.	dr	date	linear	0.X ± 0.5	COPY		title	
C					0.XX ± 0.25	projection		9P + 24S	
				angles	0.XXX ± 0.10			VERTICAL PRESS-FIT RECEPT	
					0° ± 2°			product family	
				dr	T. BRUNGARD 10/20/04	MM		PwrBlade	
				enr	M. GRAY 10/20/04	1:1		code	
				chr	M. GRAY 10/20/04	scale		213	
				appd	M. GRAY 10/20/04	A		sheet	
sheet index		revision sheet				51940-107		2	

A

A

B

B

1 | 2

3 |

4

1 | 2

Pro/E

PDM: Rev: C

STATUS: Released

Printed: Dec 20, 2010

cage code 2856

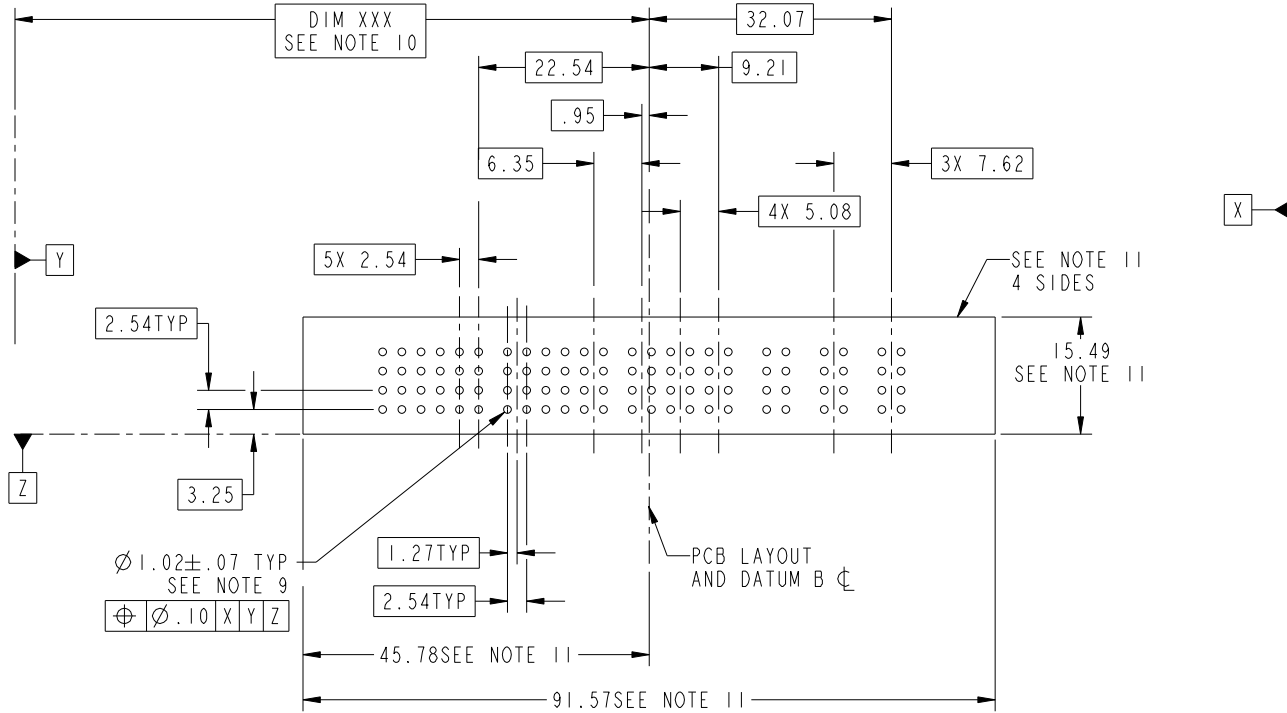
Tous droits strictement reserves. Reproduction ou communication a des tiers interdite sous quelque forme que ce soit sans autorisation ecrite du proprietaire. Propriete de c.FCI. Droits de reproduction FCI.



All rights strictly reserved. Reproduction or issue to third parties in any form whatever is not permitted without written authority from the proprietor. Property of FCI. Copyright FCI.

PRODUCT NUMBER

51940-107--  
NOTE: 3



mat'l code		SEE NOTE		tolerances unless otherwise specified		CUSTOMER		www.fciconnect.com	
lir	ecn no.	dr	date	linear	0.X ±0.5	COPY		title	
C				linear	0.XX ±0.25	projection		9P + 24S	
				angles	0.XXX ±0.10			VERTICAL PRESS-FIT RECEPT	
				dr	0° ±2°	MM		product family PwrBlade	
				enrg	T. BRUNGARD 10/20/04	1:1		code 213	
				chr	M. GRAY 10/20/04	size A		sheet 3	
				appd	M. GRAY 10/20/04	dwg no 51940-107			
sheet index	revision sheet								

cage code 2856

Pro/E

PDM: Rev: C

STATUS: Released

Printed: Dec 20, 2010

Tous droits strictement réservés. Reproduction ou communication a des tiers interdite sous quelque forme que ce soit sans autorisation écrite du propriétaire. Propriété de c.FCI. Droits de reproduction FCI.

All rights strictly reserved. Reproduction or issue to third parties in any form whatever is not permitted without written authority from the proprietor. Property of FCI. Copyright FCI.



1 | 2

3

4

PRODUCT NUMBER

51940-107--  
NOTE: 3

NOTES:

1. DIMENSIONS AND TOLERANCES ARE IN ACCORDANCE WITH ASME Y14.5M, 1994 UNLESS OTHERWISE SPECIFIED.

CONNECTOR NOTES:

2 HOUSING MATERIAL: UL 94 V-0 GLASS FILLED  
HIGH-TEMP THERMOPLASTIC  
POWER CONTACT MATERIAL: COPPER ALLOY  
SIGNAL PIN MATERIAL: COPPER ALLOY

3. PLATING:  
SEE ITEM 7 & 8 IN PRINT 10064183 FOR PLATING SPEC OF 51940-107; 51940-107 LF RESPECTIVELY.

4 MANUFACTURER'S NAME, P/N, AND DATE CODE TO APPEAR ON THIS SURFACE.

5. PRODUCT SPECIFICATION GS-12-149.  
APPLICATION SPECIFICATION BUS-20-067.

6. PACKAGED IN TRAYS.

PCB NOTES:

7. ALL HOLE DIAMETERS ARE FINISHED HOLE SIZE.

8 MOUNTING HOLES, WHERE APPLICABLE, ARE UNPLATED.


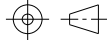

9  $\varnothing 1.151 \pm 0.025$  DRILLED HOLES PLATED WITH  
0.008 MIN SnPb OR Sn OVER 0.03  
TO 0.08 Cu PLATING TO ACHIEVE  
 $\varnothing 1.02 \pm .07$  HOLE.

10 "DIM XXX" TO BE DETERMINED BY THE CUSTOMER.

11 CONNECTOR KEEP-OUT ZONE.

12 A  $\Delta$  SYMBOL WILL BE NEXT TO ANY DIMENSION, VIEW, OR NOTE WHICH HAS BEEN MODIFIED WITH THE CURRENT DRAWING REVISION.

13. THE VOID CORING IN BETWEEN POWER MODULES, SIGNAL MODULES AND END MODULES ARE OPTIONAL AND THE SHAPE MAY BE DIFFERENT FOR OPTIMIZING THE MOLDING PROCESS. THE VOID CORING WILL NOT EFFECT TO PRODUCT FUNCTION.

mat'l code		SEE NOTE		tolerances unless otherwise specified		CUSTOMER		 www.fciconnect.com	
lir	ecr no.	dr	date	linear	0.X ± 0.5		COPY		title 9P + 24S VERTICAL PRESS-FIT RECEPT
C					0.XX ± 0.25		projection		
					0.XXX ± 0.10				
				angles	0° ± 2°				product family PwrBlade
				dr	T. BRUNGARD	10/20/04	scale 1:1		code 213
				enr	M. GRAY	10/20/04	size A		sheet 4
				chr	M. GRAY	10/20/04	dwg no 51940-107		
				appd	M. GRAY	10/20/04			
sheet index	revision sheet								

A

A

B

B

1 | 2

Pro/E

PDM: Rev: C

STAT: Released

Printed: Dec 20, 2010

cage code 28556

4