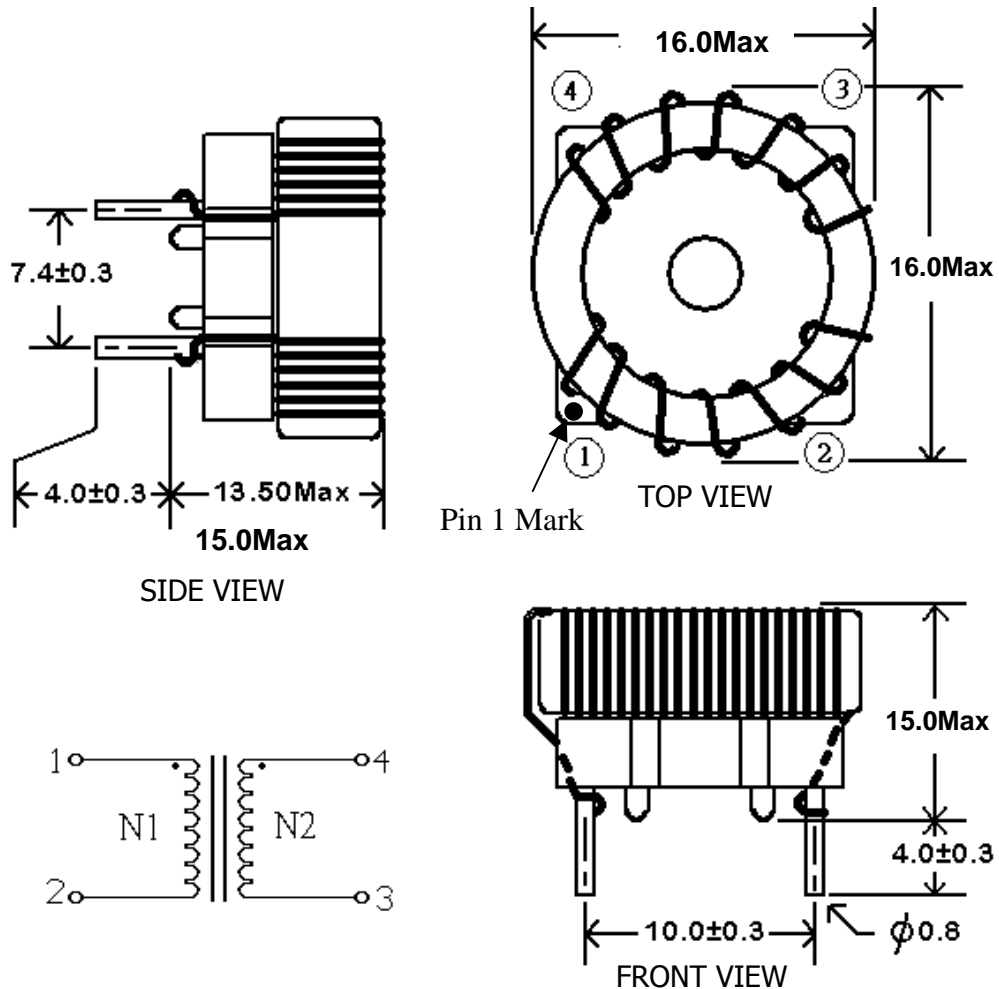


TCK-064



All dimensions in mm

SPECIFICATIONS

Inductance	Pin 1-2: $1186 \mu\text{H} \pm 35\%$ Pin 3-4: $1186 \mu\text{H} \pm 35\%$
	Test Condition: 100KHz/100mv Measurement Instrument: HP 4263B LCR Meter
Impedance	DCR(Max): 21.56 m Ω
	Measurement Instrument: HIOKI 3540 m Ω Hitester
Rated Current	IDC(Max): 5.8A
	Measurement Instrument: Agilent 34401A Meter
Rated Voltage	500Vdc
Operating Temperature	-40°C ~ +105°C
Recommended Through Hole	$\phi 1.0$ mm