

EZ-BLE™ PRoC™ EVALUATION BOARD

CYBLE-212020-EVAL



The EZ-BLE™ PRoC™ Evaluation Board (CYBLE-212020-EVAL) enables you to evaluate and develop applications on the EZ-BLE PRoC Module (CYBLE-212020-01). The EZ-BLE PRoC Module is a fully-integrated, fully-certified, 14.5 mm x 19.2 mm x 2.0 mm, programmable, Bluetooth® Smart module designed to reduce your time-to-market.

For more information, visit:

www.cypress.com/EZ-BLEModule - EZ-BLE Module home page

www.cypress.com/EZ-BLEEval - EZ-BLE PRoC Evaluation Board kit page

www.cypress.com/go/AN96841 - Getting started guide

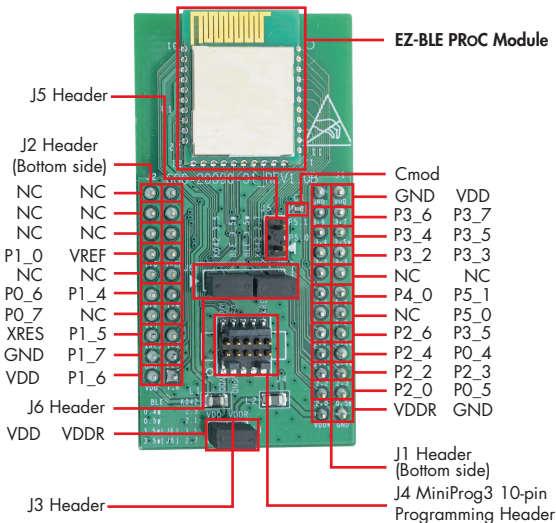


Fig 1: CYBLE-212020 EVAL Pinout Description

Note: To use the CYBLE-212020-EVAL board, you must separately purchase either the CY8CKIT-002 MINIPROG3 or the CY8CKIT-042-BLE BLE PIONEER KIT.

EZ-BLE™ PROc™ EVALUATION BOARD

1: Connect the CYBLE-212020-EVAL to the CY8CKIT-002 (MiniProg3)

Connect a jumper on the J3 header

J3

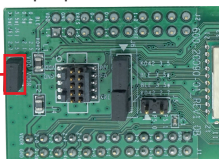


Fig 2: J3 Header

Connect the MiniProg3 to the J4 10-pin header



Fig 3: Programming/Debugging with MiniProg3

OR Plug the CYBLE-212020-EVAL on the CY8CKIT-042-BLE baseboard.

Note: Jumper on CYBLE-212020-EVAL's J3 header can be connected or disconnected.

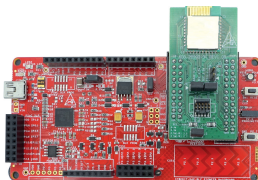


Fig 4: Programming and debugging with CY8CKIT-042-BLE BLE Pioneer Kit Baseboard

Pin Mapping between CY8CKIT-042-BLE (Base) and CYBLE-212020-EVAL (Eval)

(Base)	(Eval)	(Base)	(Eval)	(Base)	(Eval)	(Base)	(Eval)
GND	GND	P1_4	P1_4	P2_4	P2_4	P3_6	P3_6
VDDD, VDDDA	VDD	P1_5	P1_5	P2_5	P0_4	P3_7	P3_7
VDDR	VDDR	P1_6	P1_6	P2_6	P2_6	P4_0	P4_0
XRES	XRES	P1_7	P1_7	P2_7	P3_5	P5_0	P5_0
VREF	VREF	P2_0	P2_0	P3_2	P3_2	P5_1	P5_1
PO_6	PO_6	P2_1	PO_5	P3_3	P3_3		
PO_7	PO_7	P2_2	P2_2	P3_4	P3_4		
P1_0	P1_0	P2_3	P2_3	P3_5	P3_5		

2: Create a project using the CYBLE-212020-01MPN and program/debug using PSoC® Creator™ 3.3 SP2

The EZ-BLE PROc Module (CYBLE-212020-01) is qualified for the Bluetooth 4.2 specification and is certified for the 2.4 GHz unlicensed frequency range in USA (FCC), Canada (IC), Europe (CE), Japan (TELEC) and Korea (KC).

Visit www.cypress.com/support for technical support.