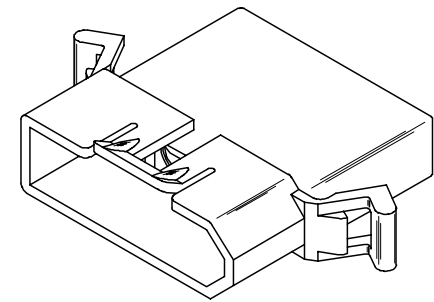
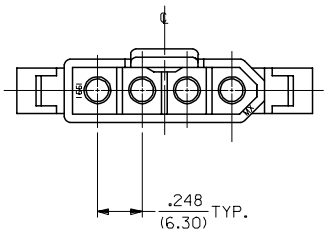
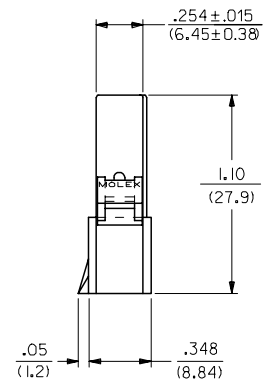
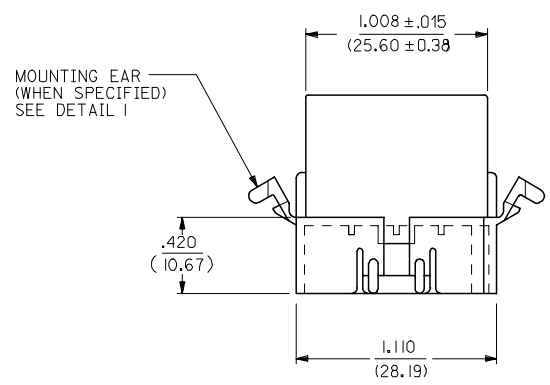
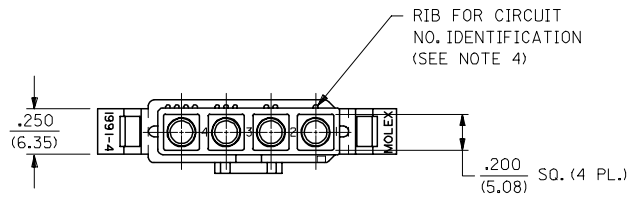


PLUG



PLUG HOUSING

3	A
2	A
1	A
SHT.	REV.

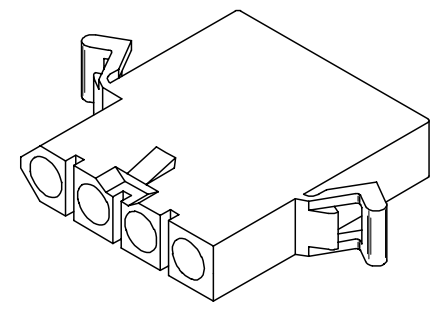
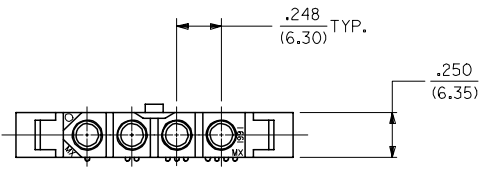
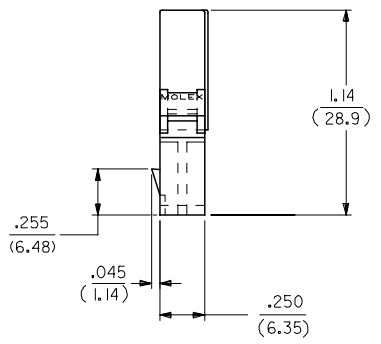
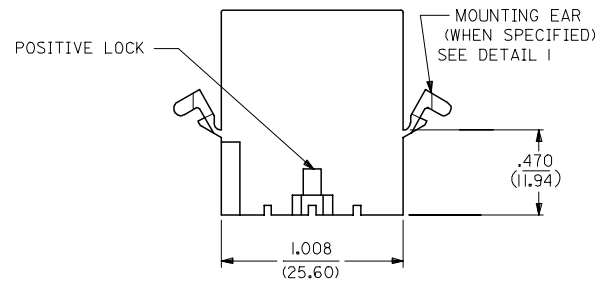
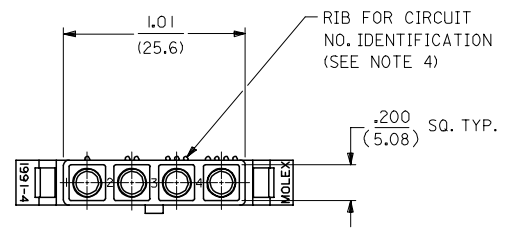
INITIAL RELEASE FC NO: UCP2007-2588 DRAWN BY: AELHAG CHKD: LSCHMIDT APPR: FSM TH	QUALITY SYMBOLS ▽=0 ▽=0	GENERAL TOLERANCES (UNLESS SPECIFIED)		DIMENSION STYLE IN/MM		SCALE 2:1	DESIGN UNITS INCH	THIRD ANGLE PROJECTION		
		4 PLACES ± .005 ± .005	mm	INCH	DRAWN BY	DATE	TITLE			
		3 PLACES ± .010 ± .010			CHECKED BY	DATE	.093/(2.36) HOUSINGS, PLUG AND RECEPTACLE, 4 CKT, .248/(6.30) CTRS.			
		2 PLACES ± 0.25 ± .014			APPROVED BY	DATE	MATERIAL NO. DOCUMENT NO. SHEET NO.			
1 PLACE ± 0.35 ± .014			ANGULAR ± 1 °		SEE CHART		MOLEX INCORPORATED		1 OF 3	
DRAFT WHERE APPLICABLE MUST REMAIN WITHIN DIMENSIONS		SIZE C		THIS DRAWING CONTAINS INFORMATION THAT IS PROPRIETARY TO MOLEX INCORPORATED AND SHOULD NOT BE USED WITHOUT WRITTEN PERMISSION						

13 12 11 10 9 8 7 6 5 4 3 2 1

J
I
H
G
F
E
D
C
B
A

J
I
H
G
F
E
D
C
B
A

RECEPTACLE



RECEPTACLE HOUSING

INITIAL RELEASE FC NO: UCP2007-2588 DRAWN BY: AELHAG CHKD: LSCHMIDT APPR: FSM TH	QUALITY SYMBOLS ▽=0 ▽=0	GENERAL TOLERANCES (UNLESS SPECIFIED)		DIMENSION STYLE IN/MM	SCALE 2:1	DESIGN UNITS INCH	THIRD ANGLE PROJECTION		
		4 PLACES ± --- ± ---	3 PLACES ± --- ± .010	2 PLACES ± 0.25 ± .014	1 PLACE ± 0.35 ± ---	DRAWN BY: AELHAG DATE: 2007/06/23	CHECKED BY: SCHMIDT DATE: 2007/07/23	APPROVED BY: FSM TH DATE: 2007/07/25	TITLE .093/(2.36) HOUSINGS, PLUG AND RECEPTACLE, 4 CKT, .248/(6.30) CTRS.
		ANGULAR ± 1 °				MATERIAL NO.	DOCUMENT NO.	SHEET NO.	
		DRAFT WHERE APPLICABLE MUST REMAIN WITHIN DIMENSIONS				SEE CHART	SD-1991-4**1	2 OF 3	

12 11 10 9 8 7 6 5 4 3 2 1

	13	12	11	10	9	8	7	6	5	4	3	2	1
	PLUG			RECEPTACLE									
J	PART NO.	ENG. NO.		PART NO.	ENG. NO.								
	50-36-1743	1991-4P1-1		50-36-1691	1991-4R1-1								
	50-36-1693	1991-4P2-1		50-36-1692	1991-4R2-1								
I													
H													

LEGEND:

1991-4**-*

CIRCUIT SIZE

P = PLUG

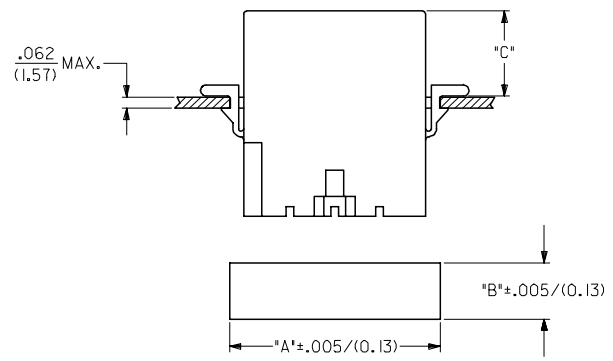
R = RECEPTACLE

1 = WITHOUT EARS

2 = WITH PREBENT EARS, PER DETAIL 3

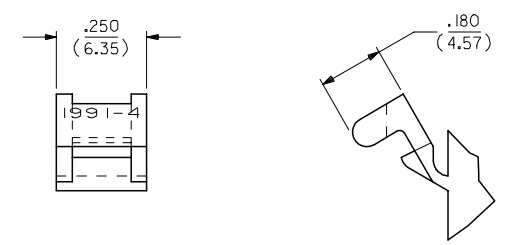
MATERIAL :

1 = CODE B



HOUSING	DIM. "A"	DIM. "B"	DIM. "C" STD. EAR	DIM. "C" PREBENT
PLUG	1.270/(32.26)	.365/(9.27)	.48/(12.2)	.52/(13.2)
RECEPTACLE	1.168/(29.67)	.311/(7.90)	.47/(11.9)	.51/(12.9)

- NOTES:
1. MATERIAL:
B: NYLON (PA 6), UL94 V-0, IEC 60335-1, 4TH EDITION GLOW WIRE CAPABLE,
COLOR: BLACK
2. FINISH: N/A
3. PRODUCT SPECIFICATION: PS-02-09
4. PACKAGING SPECIFICATION: PK-1991-001
5. ACCEPTS MOLEX .093/(2.36) SERIES TERMINALS.
6. PARTS FROM EARLIER VERSION TOOLS DO NOT HAVE CIRCUIT IDENTIFICATION RIBS
7. PARTS CONFORM TO CLASS B REQUIREMENTS OF COSMETIC SPECIFICATION: PS-45499-002 EXCEPT SINK AND DISCOLORATION MEETS CLASS 'C' REQUIREMENTS.



DETAIL 1
PREBENT MOUNTING EAR
(SCALE 4:1)

INITIAL RELEASE FC NO: UCP2007-2588 DRAWN/PRD/DR 2007/07/26 CHKD:LSH/MT 2007/08/20 APPR:FSM/TH 2007/08/21	QUALITY SYMBOLS =0 =0	GENERAL TOLERANCES (UNLESS SPECIFIED)		DIMENSION STYLE IN/MM		SCALE 2:1	DESIGN UNITS INCH	THIRD ANGLE PROJECTION
		mm	INCH	DRAWN BY AELHAG	DATE 2007/06/23	TITLE .093/(2.36) HOUSINGS, PLUG AND RECEPTACLE, 4 CKT, .248/(6.30) CTRS.		
A	DESCRIPTION	4 PLACES ± .010	± .010	CHECKED BY SCHMIDT	DATE 2007/07/23	MOLEX INCORPORATED		SHEET NO. 3 OF 3
		3 PLACES ± .025	± .014	APPROVED BY FSMITHROEMER	DATE 2007/07/25	SD-1991-4**1		
DRAFT WHERE APPLICABLE MUST REMAIN WITHIN DIMENSIONS		ANGULAR ± 1 °		MATERIAL NO.		DOCUMENT NO.		
SIZE C		SEE CHART		THIS DRAWING CONTAINS INFORMATION THAT IS PROPRIETARY TO MOLEX INCORPORATED AND SHOULD NOT BE USED WITHOUT WRITTEN PERMISSION				