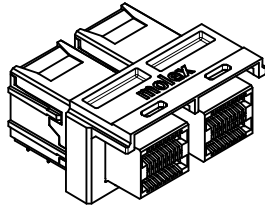
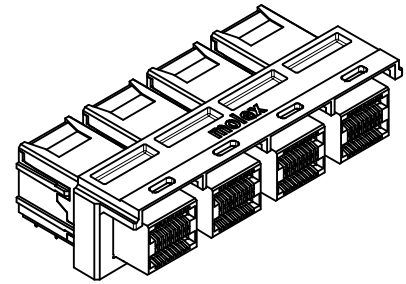


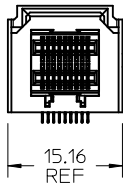
1 X 1



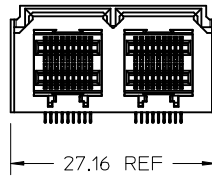
1 X 2



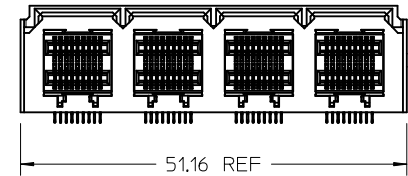
1 X 4



15.16 REF



27.16 REF



51.16 REF

NOTES:

1. MATERIALS:

CONNECTOR HOUSING: HIGH TEMPERATURE THERMOPLASTIC
GLASS FILLED, UL 94V-0
TERMINALS: COPPER ALLOY

2. FINISHES:

CONTACT AREA: 0.76µM MIN GOLD OVER 3.81µM MIN NICKEL
TAIL AREA (LEAD FREE): 0.76µM-1.52µM TIN OVER 1.27µM MIN NICKEL

3. PRODUCT SPECIFICATION: PS-76867-001

4. PACKAGING SPECIFICATION: PK-76867-001

5. MATES WITH: MOLEX CABLE SERIES 100171, 100189, 100190 & 100191

6. MOUNTING HARDWARE NOT SUPPLIED, REFER TO

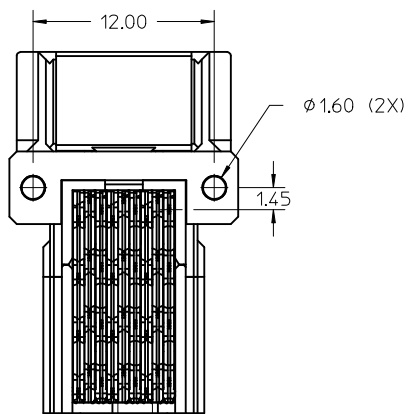
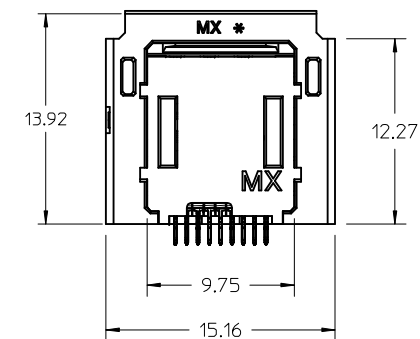
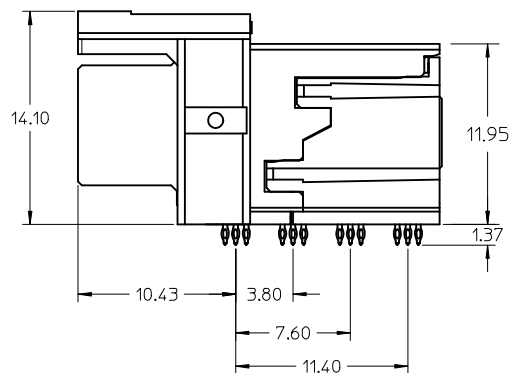
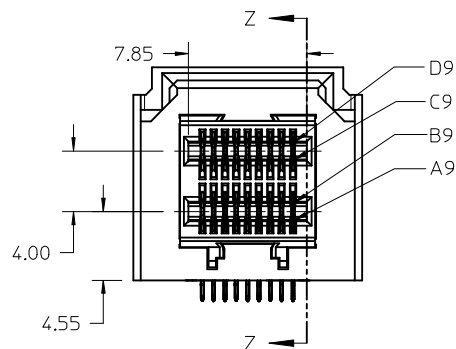
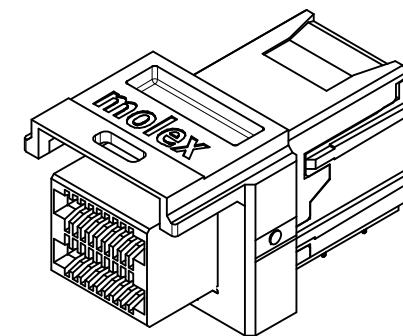
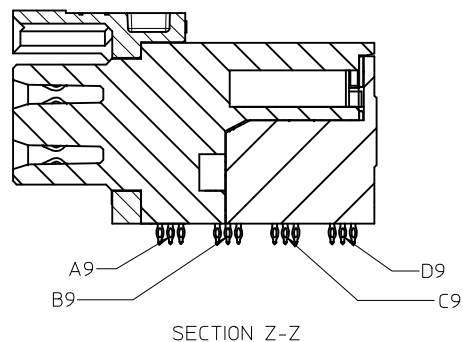
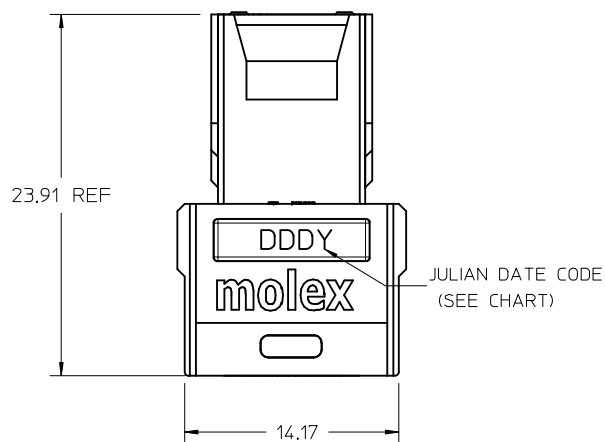
APPLICATION SPECIFICATION AS-76867-001

7. PLUG MODULE PCB LAYOUT REFER TO SD-76866-9900

CONIFURATION	MATERIAL NO.
1 X 1	76867-1011
1 X 2	76867-1012
1 X 4	76867-1013

REVD CL DIMENSION IEC NO: UCP2017-1144 DRWN:TMCCLELL 2016/11/17 CHKD:TMCCLELLAND 2016/11/17 APPR:TMCCLELL 2016/11/17	QUALITY SYMBOLS 	GENERAL TOLERANCES (UNLESS SPECIFIED)		DIMENSION STYLE MM ONLY		SCALE 2:1	DESIGN UNITS METRIC	THIRD ANGLE PROJECTION 			
		4 PLACES ± --- ± ---	3 PLACES ± --- ± ---	2 PLACES ± 0.13 ± ---	1 PLACE ± 0.25 ± ---	0 PLACE ± ±	DRAWN BY KLANG		DATE 2011/10/10		
		ANGULAR ±1/2°					CHECKED BY TMCCLELLAND		DATE 2011/10/10	TITLE IPASS PLUS HD - 12G INTERNAL	
		DRAFT WHERE APPLICABLE MUST REMAIN WITHIN DIMENSIONS					APPROVED BY TMCCLELL		DATE 2012/08/29		
B1	REV1	SIZE C		MATERIAL NO. SEE CHART		DOCUMENT NO. SD-76867-1000	SHEET NO. 1 OF 10	THIS DRAWING CONTAINS INFORMATION THAT IS PROPRIETARY TO MOLEX INCORPORATED AND SHOULD NOT BE USED WITHOUT WRITTEN PERMISSION			

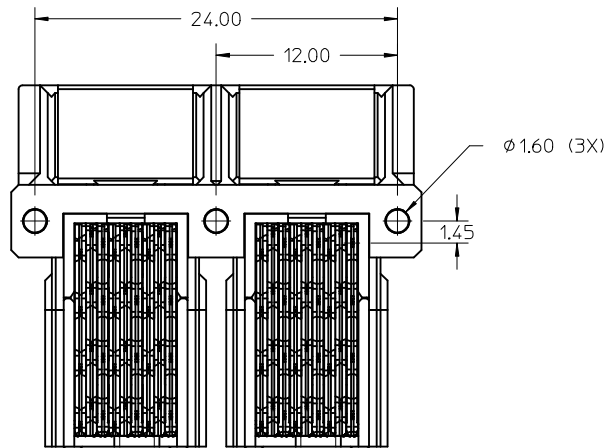
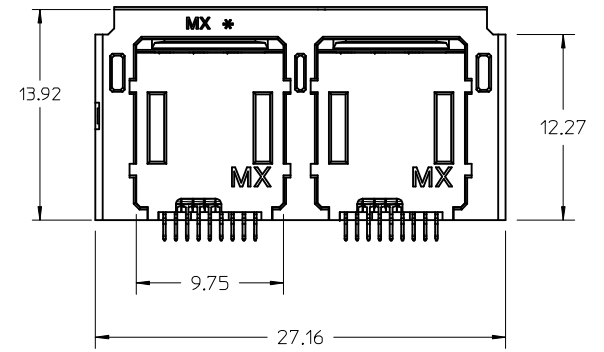
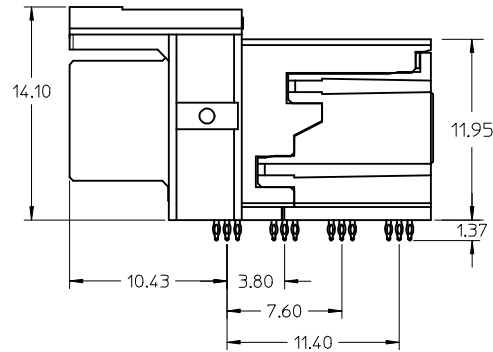
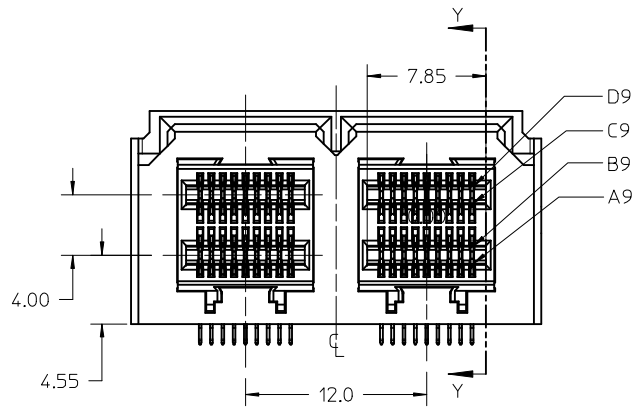
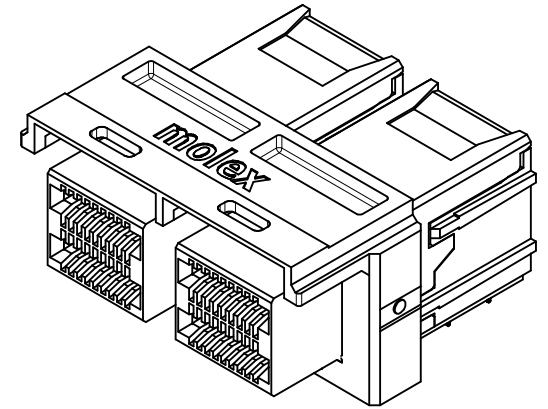
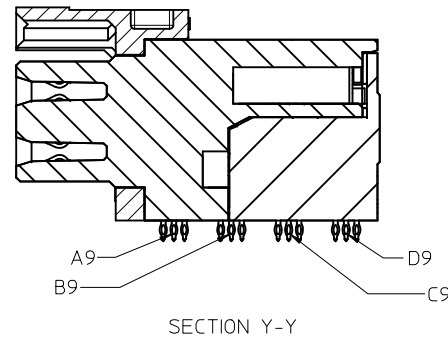
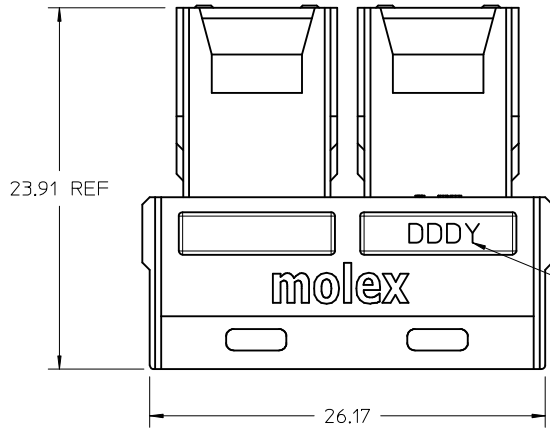
1X1 ASSEMBLY



MEXICO	DDD Y
CHINA	MSHDD Y
MANUFACTURING LOCATION	DATE CODE
DESIGN UNITS	THIRD ANGLE PROJECTION
METRIC	

SEE SHEET 1 EC NO: UCP2017-1144 DRWN:TMCCLELL 2016/11/17 CHKD:TMCCLELLAND 2016/11/17 APPR:TMCCLELL 2016/11/17	QUALITY SYMBOLS ∇=0 ∇=0 ∇=0	GENERAL TOLERANCES (UNLESS SPECIFIED)		DIMENSION STYLE MM ONLY		SCALE 4:1	TITLE IPASS PLUS HD - 12G INTERNAL molex DOCUMENT NO. SD-76867-1000	SHEET NO. 2 OF 10
			mm	INCH	DRAWN BY	DATE		
		4 PLACES	± ---	± ---	KLANG	2011/10/10		
		3 PLACES	± ---	± ---	CHECKED BY	DATE		
			2 PLACES	± 0.13	± ---	TMCCLELLAND	2011/10/10	APPROVED BY DATE
			1 PLACE	± 0.25	± ---	TMCCLELL	2012/08/29	
			0 PLACE	±	±			
DRAFT WHERE APPLICABLE MUST REMAIN WITHIN DIMENSIONS		ANGULAR ±1/2°		MATERIAL NO. SEE CHART		THIS DRAWING CONTAINS INFORMATION THAT IS PROPRIETARY TO MOLEX INCORPORATED AND SHOULD NOT BE USED WITHOUT WRITTEN PERMISSION		

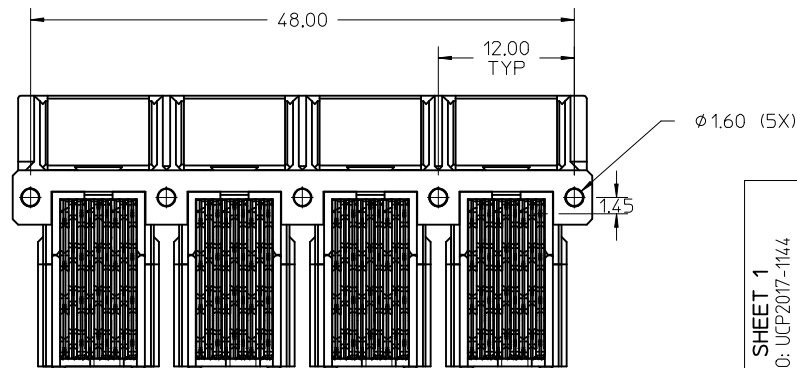
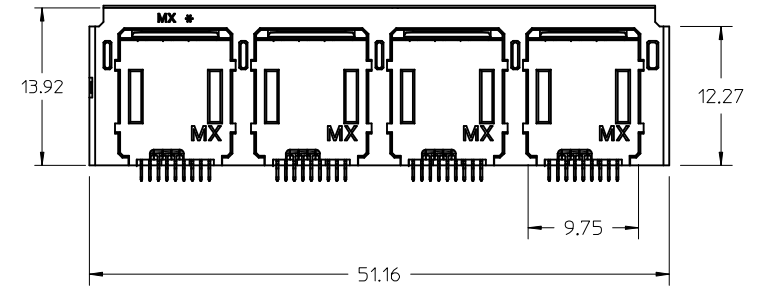
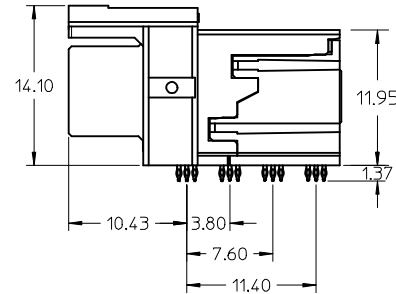
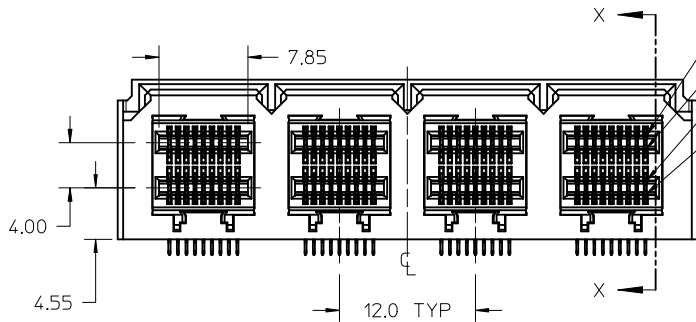
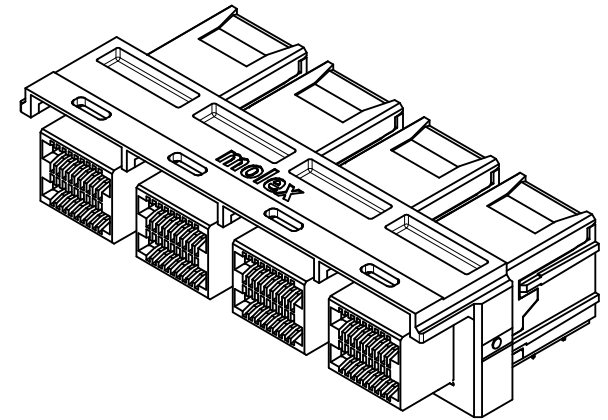
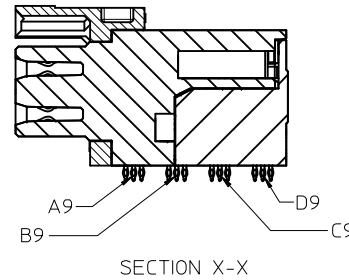
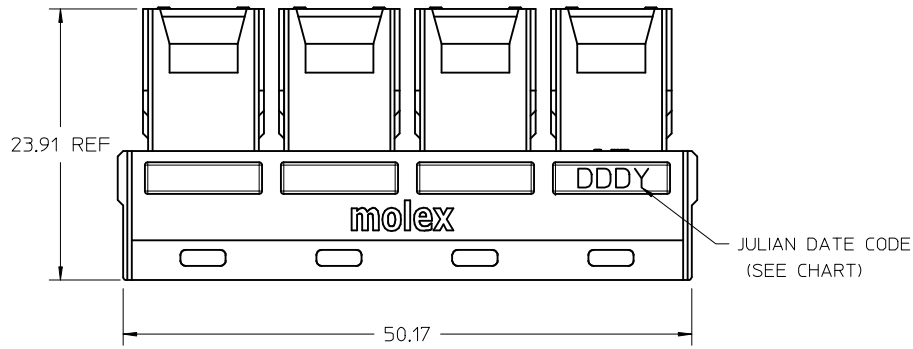
1X2 ASSEMBLY



MEXICO	DDDY
CHINA	MSHDDDY
MANUFACTURING LOCATION	DATE CODE
DESIGN UNITS METRIC	THIRD ANGLE PROJECTION

SEE SHEET 1 EC NO: UCP2017-1144 DRWN:TMCCLELL 2016/11/17 CHKD:TMCCLELLAND 2016/11/17 APPR:TMCCLELL 2016/11/17	QUALITY SYMBOLS ▽=0 ▽=0 ▽=0	GENERAL TOLERANCES (UNLESS SPECIFIED)		DIMENSION STYLE MM ONLY		SCALE 4:1	DESIGN UNITS METRIC	THIRD ANGLE PROJECTION
				DRAWN BY KLANG	DATE 2011/10/10	IPASS PLUS HD - 12G INTERNAL		
				CHECKED BY TMCCLELLAND	DATE 2011/10/10			
				APPROVED BY TMCCLELL	DATE 2012/08/29			
B1	REV	ANGULAR ±1/2°		MATERIAL NO. SEE CHART			DOCUMENT NO. SD-76867-1000	SHEET NO. 3 OF 10
		DRAFT WHERE APPLICABLE MUST REMAIN WITHIN DIMENSIONS		SIZE C		THIS DRAWING CONTAINS INFORMATION THAT IS PROPRIETARY TO MOLEX INCORPORATED AND SHOULD NOT BE USED WITHOUT WRITTEN PERMISSION		

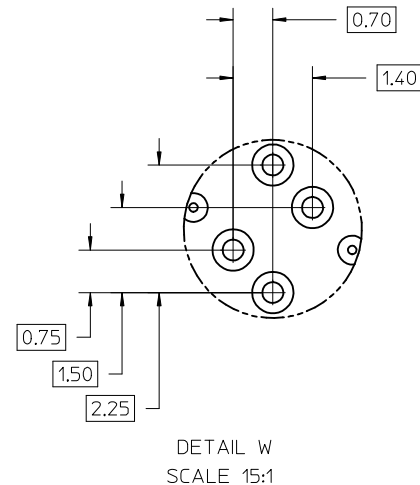
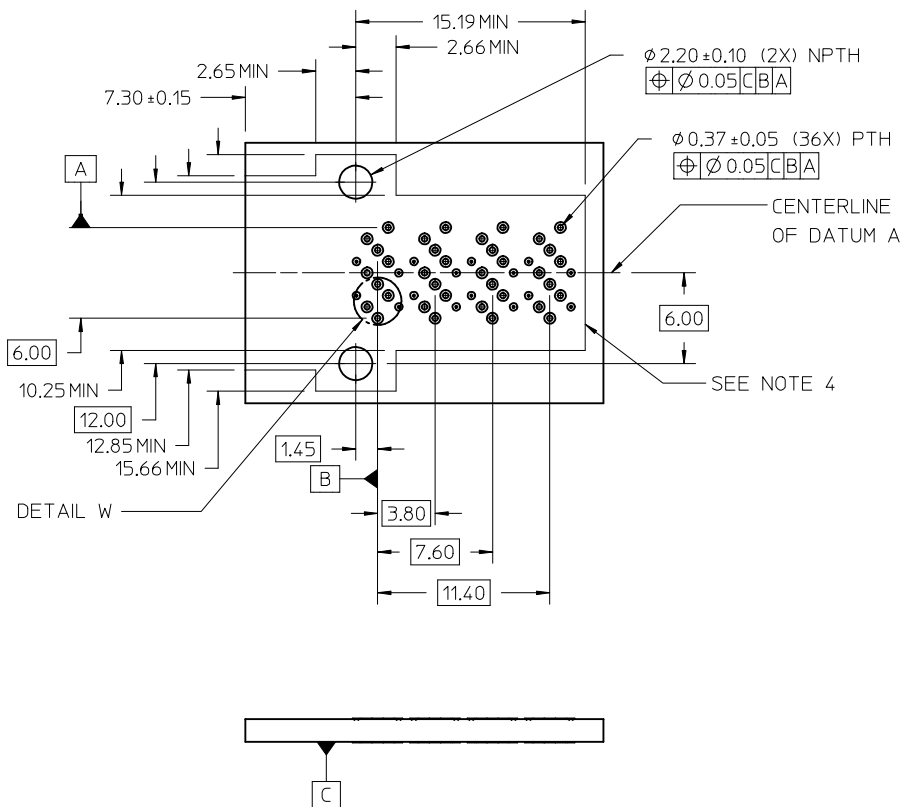
1X4 ASSEMBLY



MEXICO	DDDY
CHINA	MSHDDDY
MANUFACTURING LOCATION	DATE CODE

SEE SHEET 1 EC NO: UCP2017-1144 DRWN:TMCCLELL 2016/11/17 CHKD:TMCCLELLAND 2016/11/17 APPR:TMCCLELL 2016/11/17	QUALITY SYMBOLS ∇=0 ∇=0 ∇=0	GENERAL TOLERANCES (UNLESS SPECIFIED)		DIMENSION STYLE MM ONLY		SCALE 3:1	DESIGN UNITS METRIC	THIRD ANGLE PROJECTION		
		4 PLACES ± --- ± ---	3 PLACES ± --- ± ---	2 PLACES ± 0.13 ± ---	1 PLACE ± 0.25 ± ---	0 PLACE ± ±	DRAWN BY DATE KLANG 2011/10/10	CHECKED BY DATE TMCCLELLAND 2011/10/10	IPASS PLUS HD - 12G INTERNAL molex DOCUMENT NO. SD-76867-1000	
		ANGULAR ±1/2°					MATERIAL NO. SEE CHART	APPROVED BY DATE TMCCLELL 2012/08/29		SHEET NO. 4 OF 10
		DRAFT WHERE APPLICABLE MUST REMAIN WITHIN DIMENSIONS					SIZE C	THIS DRAWING CONTAINS INFORMATION THAT IS PROPRIETARY TO MOLEX INCORPORATED AND SHOULD NOT BE USED WITHOUT WRITTEN PERMISSION		

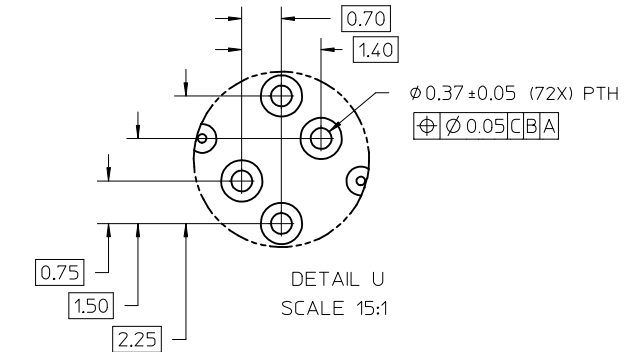
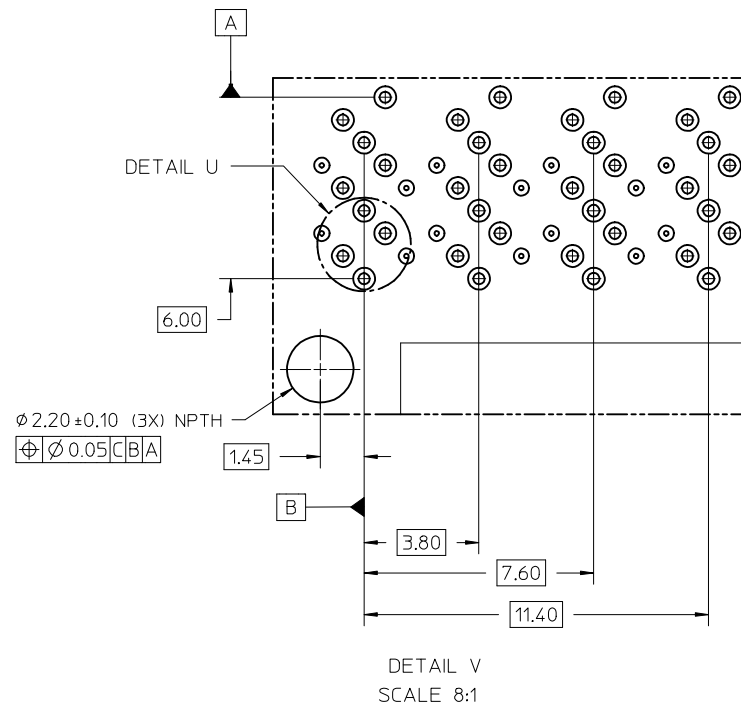
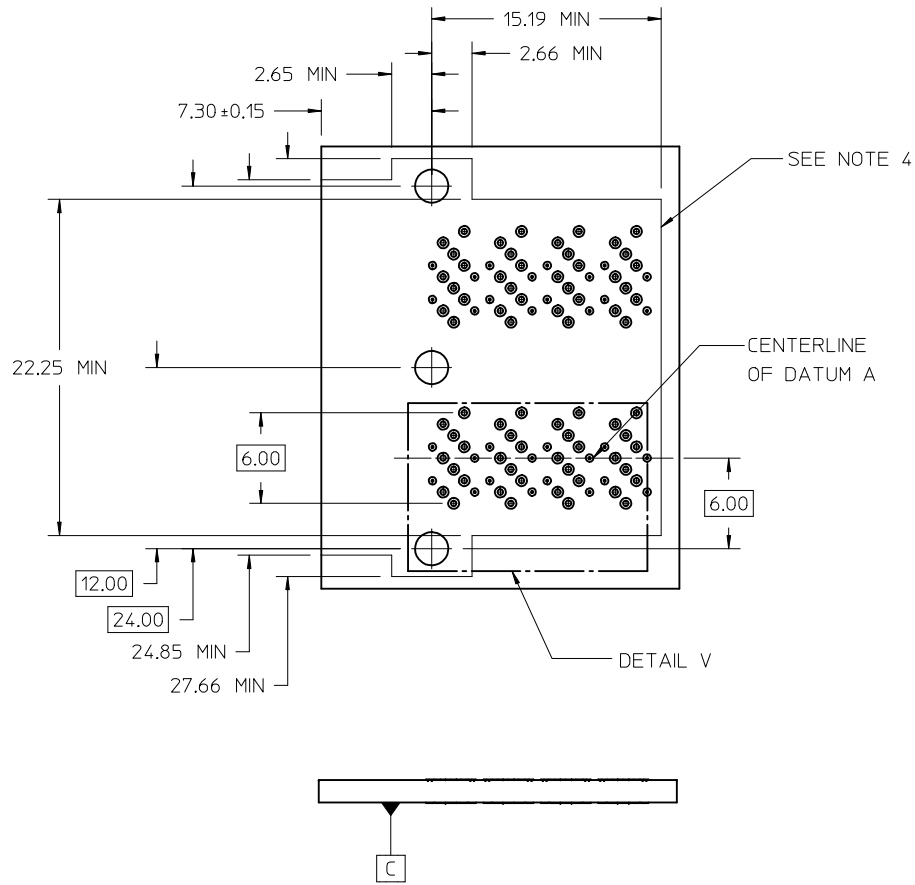
1X1 RECOMMENDED FOOTPRINT



- NOTES:
1. RECOMMENDED DRILL AND ANNULAR RING SIZE FOR A 0.37ϕ FINISHED PTH - REFER TO APPLICATION SPECIFICATION AS-76867-0001
 2. MINIMUM RECOMMENDED SPACING: 16.00MM
 3. MINIMUM PCB THICKNESS: 1.57MM
 4. CONNECTOR KEEP OUT AREA

SEE SHEET 1 IEC NO: UCP2017-1144 DRWN:TMCCLELL 2016/11/17 CHKD:TMCCLELLAND 2016/11/17 APPR:TMCCLELL 2016/11/17	QUALITY SYMBOLS	GENERAL TOLERANCES (UNLESS SPECIFIED)	DIMENSION STYLE	SCALE	DESIGN UNITS	THIRD ANGLE PROJECTION
	▽=0	mm INCH	MM ONLY	4:1	METRIC	⊙
	▽=0	4 PLACES ± --- ± ---	DRAWN BY DATE	TITLE		
	▽=0	3 PLACES ± --- ± ---	KLANG 2011/10/10	IPASS PLUS HD - 12G INTERNAL		
REV	DESCRIPTION	2 PLACES ± 0.13 ± ---	CHECKED BY DATE	molex DOCUMENT NO. SD-76867-1000 SHEET NO. 5 OF 10		
B1		1 PLACE ± 0.25 ± ---	TMCCLELLAND 2011/10/10			
		0 PLACE ± ±	APPROVED BY DATE	THIS DRAWING CONTAINS INFORMATION THAT IS PROPRIETARY TO MOLEX INCORPORATED AND SHOULD NOT BE USED WITHOUT WRITTEN PERMISSION		
		ANGULAR ±1/2°	TMCCLELL 2012/08/29			
		DRAFT WHERE APPLICABLE MUST REMAIN WITHIN DIMENSIONS	MATERIAL NO.			
			SEE CHART			

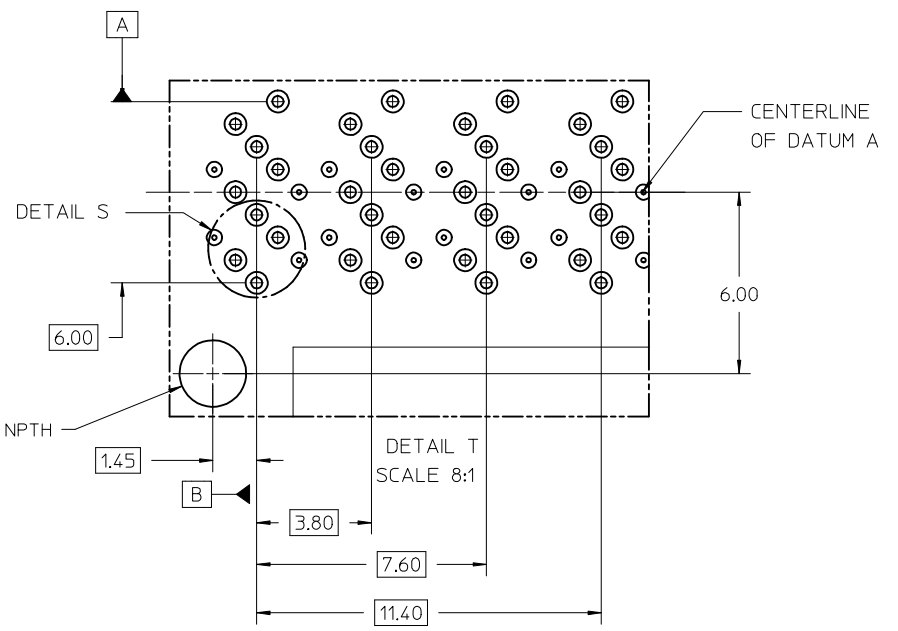
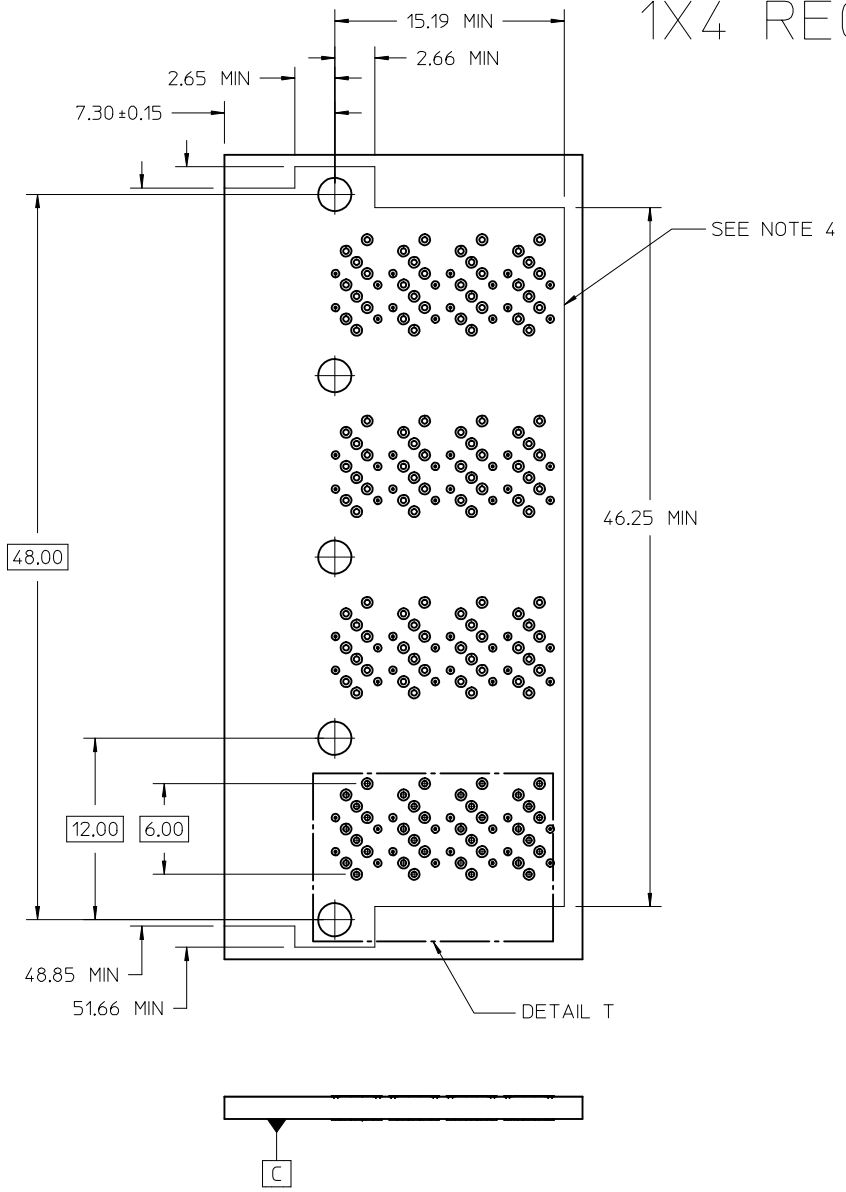
1X2 RECOMMENDED FOOTPRINT



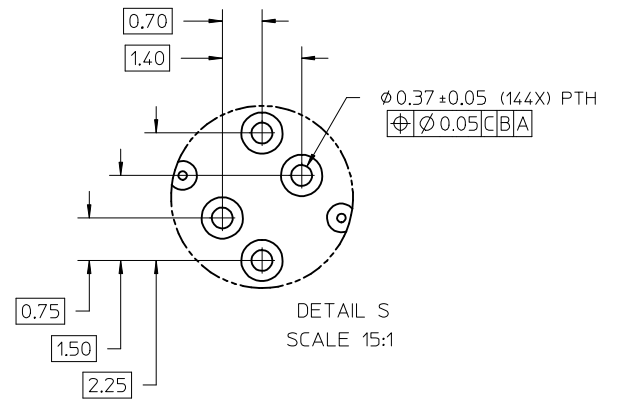
- NOTES:
1. RECOMMENDED DRILL AND ANNULAR RING SIZE FOR A 0.37ϕ FINISHED PTH - REFER TO APPLICATION SPECIFICATION AS-76867-001
 2. MINIMUM RECOMMENDED SPACING: 28.00MM
 3. MINIMUM PCB THICKNESS: 1.57MM
 4. CONNECTOR KEEP OUT AREA

SEE SHEET 1 EC NO: UCP2017-1144 DRWN:TMCCLELL 2016/11/17 CHKD:TMCCLELLAND 2016/11/17 APPR:TMCCLELL 2016/11/17	QUALITY SYMBOLS ▽=0 ▽=0 ▽=0	GENERAL TOLERANCES (UNLESS SPECIFIED)		DIMENSION STYLE MM ONLY	SCALE 4:1	DESIGN UNITS METRIC	THIRD ANGLE PROJECTION
		mm	INCH	DRAWN BY KLANG	DATE 2011/10/10	TITLE IPASS PLUS HD - 12G INTERNAL	
REV B1	DESCRIPTION	4 PLACES	± ---	± ---	CHECKED BY TMCCLELLAND	DATE 2011/10/10	DOCUMENT NO. SD-76867-1000
		3 PLACES	± ---	± ---	APPROVED BY TMCCLELL	DATE 2012/08/29	
		ANGULAR ±1/2°		MATERIAL NO. SEE CHART			
		DRAFT WHERE APPLICABLE MUST REMAIN WITHIN DIMENSIONS		SIZE C		THIS DRAWING CONTAINS INFORMATION THAT IS PROPRIETARY TO MOLEX. INCORPORATED AND SHOULD NOT BE USED WITHOUT WRITTEN PERMISSION	

1X4 RECOMMENDED FOOTPRINT



$\phi 2.20 \pm 0.10$ (5X) NPTH
 $\phi \phi 0.05$ CBA

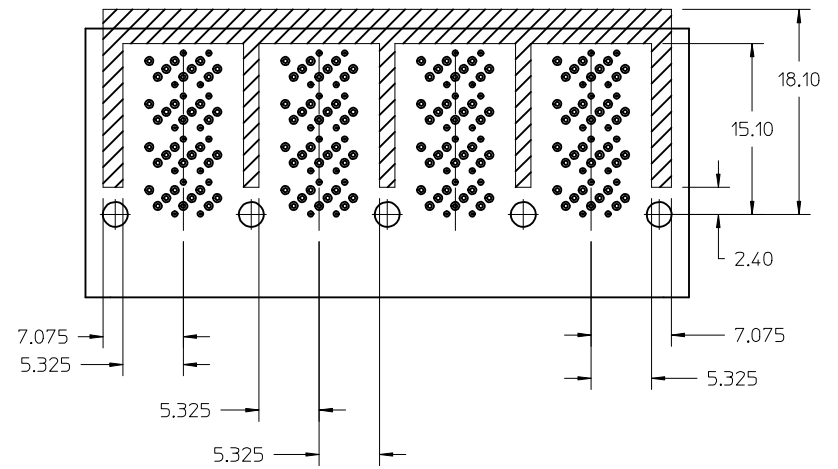
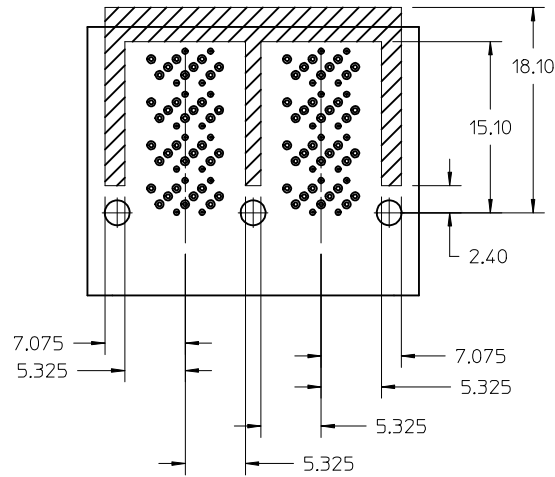
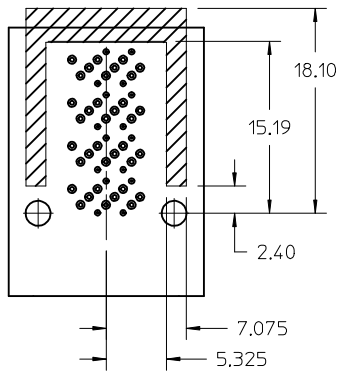


$\phi 0.37 \pm 0.05$ (144X) PTH
 $\phi \phi 0.05$ CBA

- NOTES:
1. RECOMMENDED DRILL AND ANNULAR RING SIZE FOR A 0.37ϕ FINISHED PTH - REFER TO APPLICATION SPECIFICATION AS-76867-001
 2. MINIMUM RECOMMENDED SPACING: 52.00MM
 3. MINIMUM PCB THICKNESS: 1.57MM
 4. CONNECTOR KEEP OUT AREA

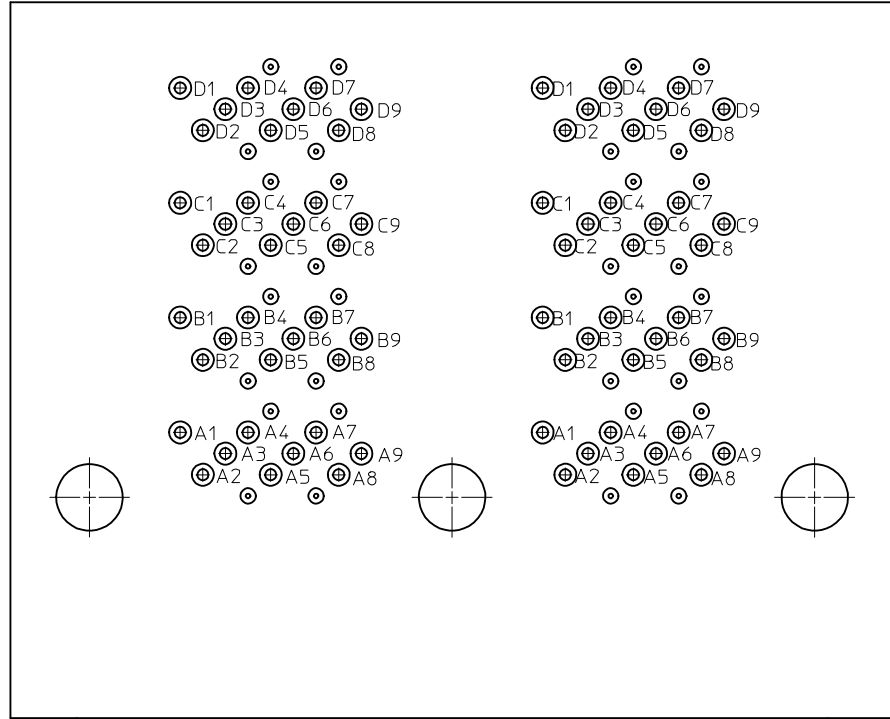
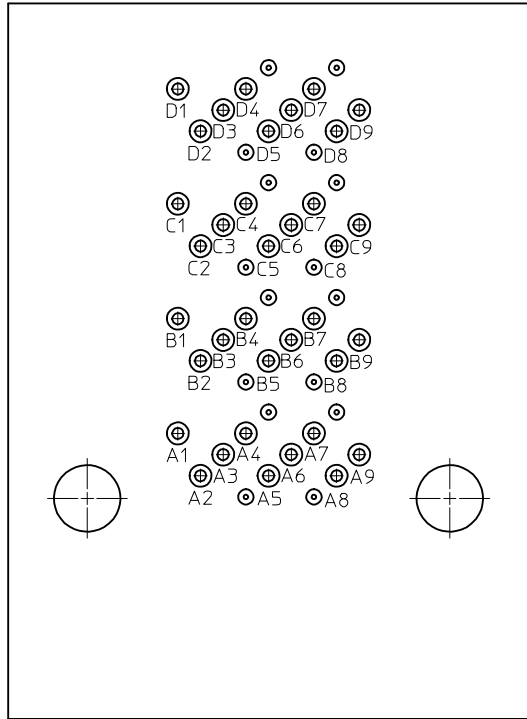
SEE SHEET 1 EC NO: UCP2017-1144 DRWN:TMCCLELL 2016/11/17 CHKD:TMCCLELLAND 2016/11/17 APPR:TMCCLELL 2016/11/17	DESCRIPTION	QUALITY SYMBOLS	GENERAL TOLERANCES (UNLESS SPECIFIED)		DIMENSION STYLE MM ONLY		SCALE 4:1	DESIGN UNITS METRIC	THIRD ANGLE PROJECTION		
		▽=0	mm	INCH	DRAWN BY	DATE	TITLE				
		▽=0	4 PLACES ± ---	± ---	KLANG	2011/10/10	IPASS PLUS HD - 12G INTERNAL				
		▽=0	3 PLACES ± ---	± ---	CHECKED BY	DATE	molex				
REV	DESCRIPTION	ANGULAR ±1/2°	DRAFT WHERE APPLICABLE MUST REMAIN WITHIN DIMENSIONS		MATERIAL NO. SEE CHART		DOCUMENT NO. SD-76867-1000		SHEET NO. 7 OF 10		
B1		SIZE C	THIS DRAWING CONTAINS INFORMATION THAT IS PROPRIETARY TO MOLEX INCORPORATED AND SHOULD NOT BE USED WITHOUT WRITTEN PERMISSION								

RECOMMENDED TOOLING KEEP OUT AREAS



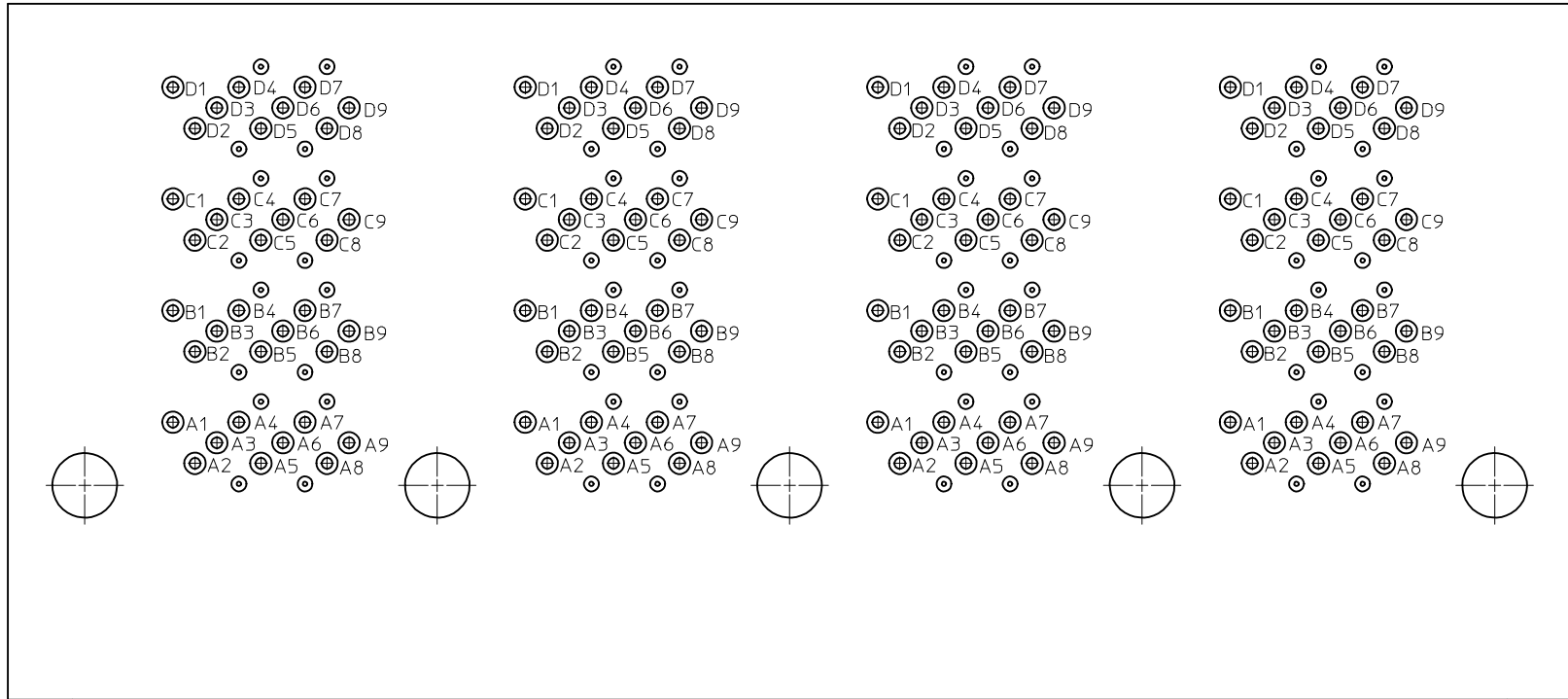
SEE SHEET 1 EC NO: UCP2017-1144 DRWN: TMCCLELL 2016/11/17 CHKD: TMCCLELL AND 2016/11/17 APPR: TMCCLELL 2016/11/17	QUALITY SYMBOLS ▽=0 ▽=0 ▽=0	GENERAL TOLERANCES (UNLESS SPECIFIED)		DIMENSION STYLE MM ONLY		SCALE 3:1	DESIGN UNITS METRIC	THIRD ANGLE PROJECTION		
			mm	INCH	DRAWN BY KLANG	DATE 2011/10/10	TITLE IPASS PLUS HD - 12G INTERNAL			
					CHECKED BY TMCCLELLAND	DATE 2011/10/10				
					APPROVED BY TMCCLELL	DATE 2012/08/29	molex DOCUMENT NO. SD-76867-1000 SHEET NO. 8 OF 10			
			MATERIAL NO.							
		ANGULAR ±1/2°		SEE CHART						
		DRAFT WHERE APPLICABLE MUST REMAIN WITHIN DIMENSIONS		SIZE C		THIS DRAWING CONTAINS INFORMATION THAT IS PROPRIETARY TO MOLEX INCORPORATED AND SHOULD NOT BE USED WITHOUT WRITTEN PERMISSION				

1X1 & 1X2 FOOTPRINT CIRCUIT IDENTIFICATION



SEE SHEET 1 IEC NO: UCP2017-1144 DRWN:TMCCLELL 2016/11/17 CHKD:TMCCLELLAND 2016/11/17 APPR:TMCCLELL 2016/11/17	QUALITY SYMBOLS	GENERAL TOLERANCES (UNLESS SPECIFIED)		DIMENSION STYLE	SCALE	DESIGN UNITS	THIRD ANGLE PROJECTION	
	▽=0	mm	INCH	MM ONLY	8:1	METRIC		
	▽=0	4 PLACES ± ---	± ---	DRAWN BY	DATE	TITLE		
	▽=0	3 PLACES ± ---	± ---	KLANG	2011/10/10	IPASS PLUS HD - 12G INTERNAL		
REV	DESCRIPTION	2 PLACES ± 0.13	± ---	CHECKED BY	DATE			
B1		1 PLACE ± 0.25	± ---	TMCCLELLAND	2011/10/10			
		0 PLACE ±	±	APPROVED BY	DATE			
				TMCCLELL	2012/08/29			
		ANGULAR ±1/2°		MATERIAL NO.	DOCUMENT NO.	SHEET NO.		
		DRAFT WHERE APPLICABLE MUST REMAIN WITHIN DIMENSIONS		SEE CHART	SD-76867-1000	9 OF 10		
		THIS DRAWING CONTAINS INFORMATION THAT IS PROPRIETARY TO MOLEX INCORPORATED AND SHOULD NOT BE USED WITHOUT WRITTEN PERMISSION						

1X4 FOOTPRINT CIRCUIT IDENTIFICATION



SEE SHEET 1 EC NO: UCP2017-1144 DRWN:TMCCLELL 2016/11/17 CHKD:TMCCLELLAND 2016/11/17 APPR:TMCCLELL 2016/11/17	QUALITY SYMBOLS ▽=0 ▽=0 ▽=0	GENERAL TOLERANCES (UNLESS SPECIFIED) <table border="1"> <thead> <tr> <th></th> <th>mm</th> <th>INCH</th> </tr> </thead> <tbody> <tr> <td>4 PLACES</td> <td>± .05</td> <td>± .002</td> </tr> <tr> <td>3 PLACES</td> <td>± .05</td> <td>± .002</td> </tr> <tr> <td>2 PLACES</td> <td>± 0.13</td> <td>± .005</td> </tr> <tr> <td>1 PLACE</td> <td>± 0.25</td> <td>± .010</td> </tr> <tr> <td>0 PLACE</td> <td>±</td> <td>±</td> </tr> </tbody> </table>		mm	INCH	4 PLACES	± .05	± .002	3 PLACES	± .05	± .002	2 PLACES	± 0.13	± .005	1 PLACE	± 0.25	± .010	0 PLACE	±	±	DIMENSION STYLE MM ONLY DRAWN BY DATE KLANG 2011/10/10 CHECKED BY DATE TMCCLELLAND 2011/10/10 APPROVED BY DATE TMCCLELL 2012/08/29	SCALE 8:1 DESIGN UNITS METRIC THIRD ANGLE PROJECTION	TITLE IPASS PLUS HD - 12G INTERNAL
		mm	INCH																				
	4 PLACES	± .05	± .002																				
	3 PLACES	± .05	± .002																				
2 PLACES	± 0.13	± .005																					
1 PLACE	± 0.25	± .010																					
0 PLACE	±	±																					
MATERIAL NO. SEE CHART	DOCUMENT NO. SD-76867-1000	SHEET NO. 10 OF 10																					
DRAFT WHERE APPLICABLE MUST REMAIN WITHIN DIMENSIONS			THIS DRAWING CONTAINS INFORMATION THAT IS PROPRIETARY TO MOLEX INCORPORATED AND SHOULD NOT BE USED WITHOUT WRITTEN PERMISSION																				
REV B1	DESCRIPTION																						