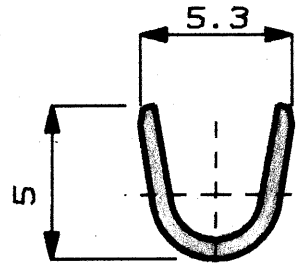
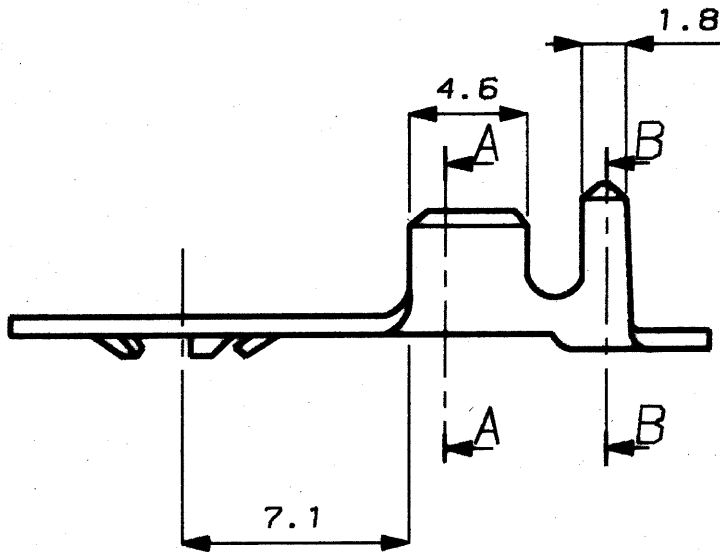
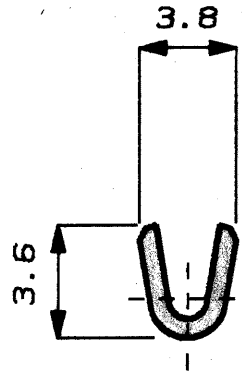
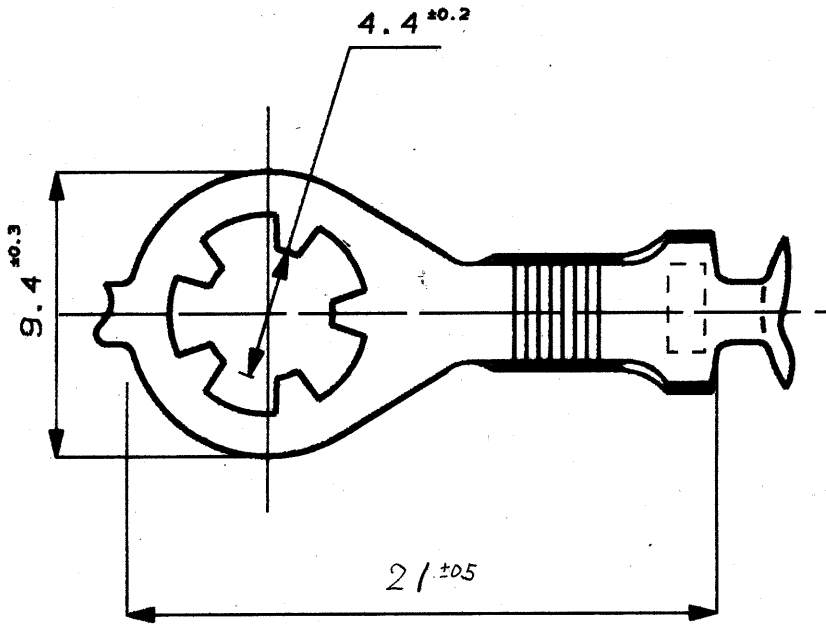


NUMBER C-173638
3rd ANGLE PROJECTION

METRIC



DIMENSIONS IN MILLIMETERS. DO NOT SCALE PRINT

© 1985 BY AMP (Japan) LTD.
ALL RIGHTS RESERVED.
AMP PRODUCTS COVERED BY PATENTS
AND OR PATENTS PENDING

AMP
AMP (JAPAN), LTD.
Tokyo, Japan

一般公差: ±0.4	抱合電線断面径 AWG #18-#14	絶縁外皮 φ2.67-φ3.68
	材料 冷間圧延銅	仕上げ 錫めっき

PRINT DIST	O RELEASED J84-7827			SCALE	SIZE	LOC	NUMBER	REV.	SHEET
	LTR	REVISION RECORD	DR. CHK DATE	4-1	A4	J	C-173638	0	1-1
DR.	H. Betani 4/12/85			DE.	NAME				
CHK.	M. Iseki 4/28/85			APP.	RING TERMINAL				