

CentralTM Semiconductor Corp.

145 Adams Ave., Hauppauge, NY 11788 USA
Phone (631) 435-1110 FAX (631) 435-1824

Manufacturers of World Class Discrete Semiconductors

www.centralsemi.com

MJE13005

NPN SILICON
POWER TRANSISTOR

JEDEC TO-220 CASE

DESCRIPTION

The CENTRAL SEMICONDUCTOR MJE13005 is a Silicon NPN Power Transistor, designed for high speed power switching applications.

MAXIMUM RATINGS (T_C=25°C unless otherwise noted)

	<u>SYMBOL</u>		<u>UNITS</u>
Collector-Emitter Voltage	V _{CEO}	400	V
Collector-Emitter Voltage	V _{CEV}	700	V
Emitter-Base Voltage	V _{EBO}	9.0	V
Collector Current	I _C	4.0	A
Peak Collector Current	I _{CM}	8.0	A
Base Current	I _B	2.0	A
Peak Base Current	I _{BM}	4.0	A
Emitter Current	I _E	6.0	A
Peak Emitter Current	I _{EM}	12	A
Power Dissipation (T _A =25°C)	P _D	2.0	W
Power Dissipation	P _D	75	W
Operating and Storage Junction Temperature	T _J , T _{stg}	-65 to +150	°C
Thermal Resistance	θ _{JA}	62.5	°C/W
Thermal Resistance	θ _{JC}	1.67	°C/W

ELECTRICAL CHARACTERISTICS (T_C=25°C unless otherwise noted)

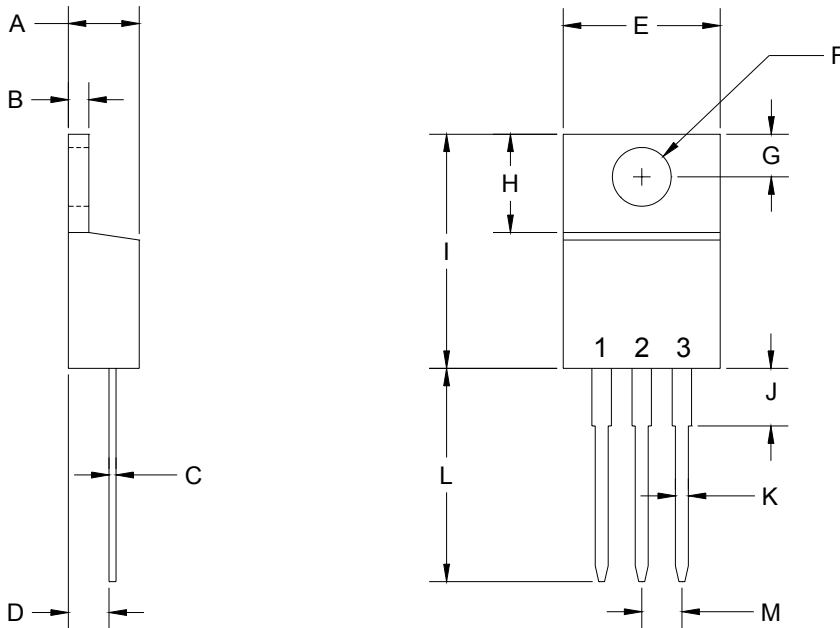
<u>SYMBOL</u>	<u>TEST CONDITIONS</u>	<u>MIN</u>	<u>MAX</u>	<u>UNITS</u>
I _{CEV}	V _{CE} =700V, V _{BE(OFF)} =1.5V		1.0	mA
I _{CEV}	V _{CE} =700V, V _{BE(OFF)} =1.5V, T _C =100°C		5.0	mA
I _{EBO}	V _{EB} =9.0V		1.0	mA
BV _{CEO}	I _C =10mA	400		V
V _{CE(SAT)}	I _C =1.0A, I _B =0.2A		0.5	V
V _{CE(SAT)}	I _C =2.0A, I _B =0.5A		0.6	V
V _{CE(SAT)}	I _C =4.0A, I _B =1.0A		1.0	V
V _{BE(SAT)}	I _C =1.0A, I _B =0.2A		1.2	V
V _{BE(SAT)}	I _C =2.0A, I _B =0.5A		1.6	V
h _{FE}	V _{CE} =5.0V, I _C =1.0A	10	60	
h _{FE}	V _{CE} =5.0V, I _C =2.0A	8.0	40	

(Continued)

ELECTRICAL CHARACTERISTICS (CONTINUED)

<u>SYMBOL</u>	<u>TEST CONDITIONS</u>	<u>MIN</u>	<u>TYP</u>	<u>MAX</u>	<u>UNITS</u>
f_T	$V_{CE}=10V, I_C=500mA, f=1.0MHz$	4.0			MHz
C_{ob}	$V_{CB}=10V, I_E=0, f=100kHz$		130		pF
<u>Resistive Load</u>					
t_d	$V_{CC}=125V, I_C=2.0A, I_{B1}=I_{B2}=0.4A$			0.1	μs
t_r	$t_p=25\mu s, \text{Duty Cycle} \leq 1.0\%$			0.7	μs
t_s				4.0	μs
t_f				0.9	μs
<u>Inductive Load</u>					
t_{sv}	$I_C=2.0A, V_{clamp}=300V, I_{B1}=0.4A,$			4.0	μs
t_c	$V_{BE(off)}=5.0V, T_C=100^\circ C$			0.9	μs
t_{fi}			0.16		μs

TO-220 PACKAGE - MECHANICAL OUTLINE



SYMBOL	DIMENSIONS			
	INCHES		MILLIMETERS	
	MIN	MAX	MIN	MAX
A	0.170	0.190	4.31	4.82
B	0.045	0.055	1.15	1.39
C	0.013	0.026	0.33	0.65
D	0.083	0.107	2.10	2.72
E	0.394	0.417	10.01	10.60
F (DIA)	0.140	0.157	3.55	4.00
G	0.100	0.118	2.54	3.00
H	0.230	0.270	5.85	6.85
I	0.560	0.625	14.23	15.87
J	-	0.250	-	6.35
K	0.025	0.038	0.64	0.96
L	0.500	0.579	12.70	14.70
M	0.090	0.110	2.29	2.79

TO-220 (REV: R2)

Lead Code:

R2

- 1) Base
- 2) Collector
- 3) Emitter

Tab is Common to Pin 2

CentralTM
Semiconductor Corp.

145 Adams Ave., Hauppauge, NY 11788 USA
Phone (631) 435-1110 FAX (631) 435-1824

Manufacturers of World Class Discrete Semiconductors
www.centrasemi.com

OUTSTANDING SUPPORT AND SUPERIOR SERVICES



PRODUCT SUPPORT

Central's operations team provides the highest level of support to insure product is delivered on-time.

- Supply management (Customer portals)
- Inventory bonding
- Consolidated shipping options
- Custom bar coding for shipments
- Custom product packing

DESIGNER SUPPORT/SERVICES

Central's applications engineering team is ready to discuss your design challenges. Just ask.

- Free quick ship samples (2nd day air)
- Online technical data and parametric search
- SPICE models
- Custom electrical curves
- Environmental regulation compliance
- Customer specific screening
- Up-screening capabilities
- Special wafer diffusions
- PbSn plating options
- Package details
- Application notes
- Application and design sample kits
- Custom product and package development

REQUESTING PRODUCT PLATING

1. If requesting Tin/Lead plated devices, add the suffix " TIN/LEAD" to the part number when ordering (example: 2N2222A TIN/LEAD).
2. If requesting Lead (Pb) Free plated devices, add the suffix " PBFREE" to the part number when ordering (example: 2N2222A PBFREE).

CONTACT US

Corporate Headquarters & Customer Support Team

Central Semiconductor Corp.
145 Adams Avenue
Hauppauge, NY 11788 USA
Main Tel: (631) 435-1110
Main Fax: (631) 435-1824
Support Team Fax: (631) 435-3388
www.centrasemi.com

Worldwide Field Representatives:
www.centrasemi.com/wwreps

Worldwide Distributors:
www.centrasemi.com/wwdistributors

For the latest version of Central Semiconductor's **LIMITATIONS AND DAMAGES DISCLAIMER**, which is part of Central's Standard Terms and Conditions of sale, visit: www.centrasemi.com/terms