
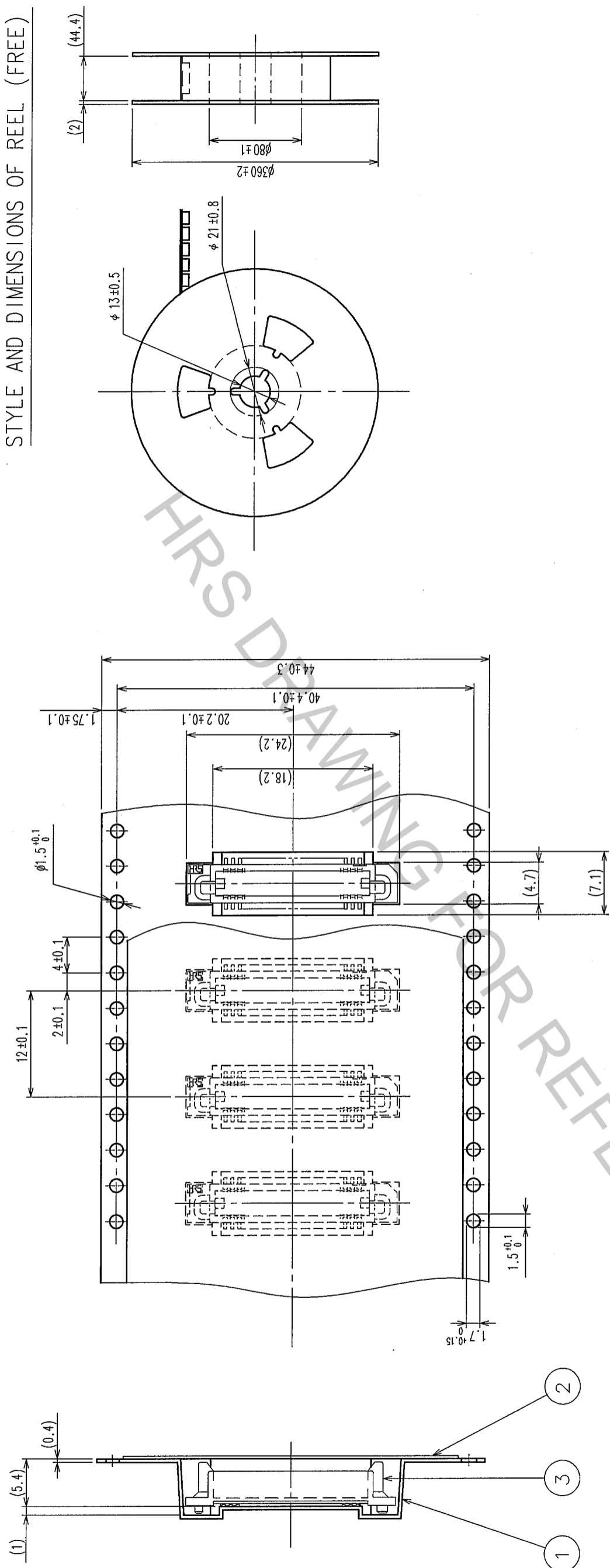
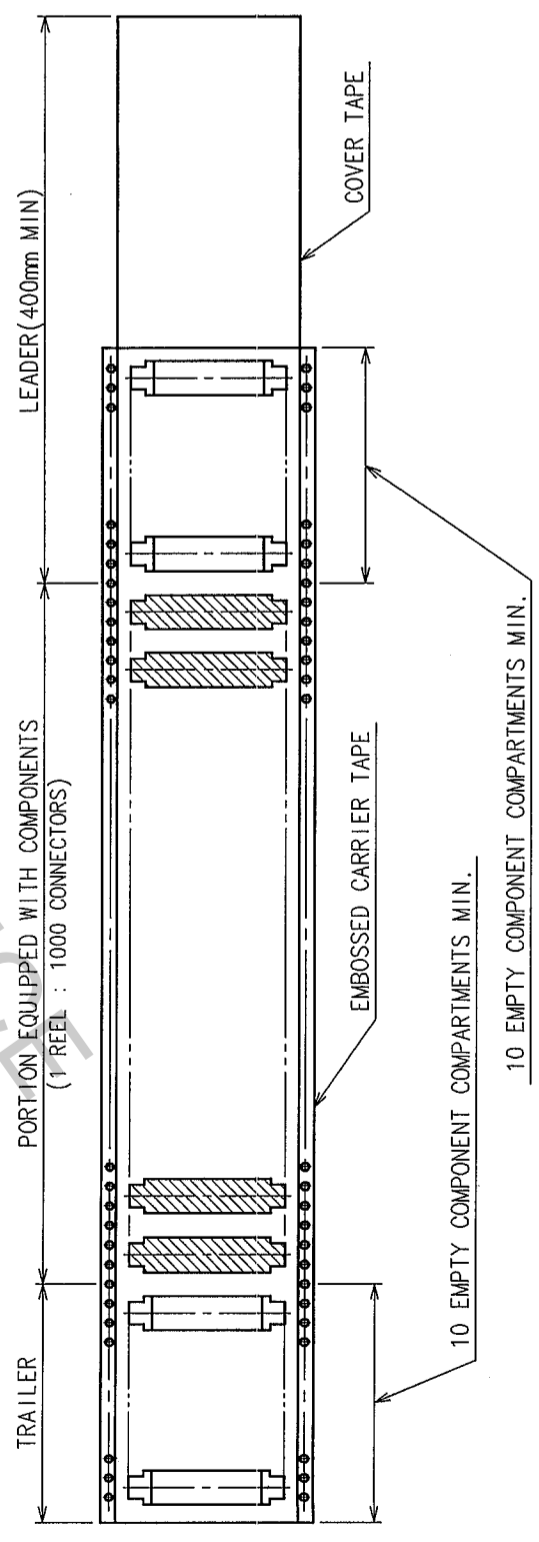


| COUNT | DESCRIPTION OF REVISIONS | BY | CHKD | DATE | COUNT | DESCRIPTION OF REVISIONS | BY | CHKD | DATE |
|-------|--------------------------|----|------|------|-------|--------------------------|----|------|------|
| | | | | | | | | | |
| | | | | | | | | | |

DIRECTION OF UNREELING 



STYLE AND DIMENSIONS OF REEL (FREE)



NOTE 1 THE DIMENSIONS IN PARENTHESES ARE FOR REFERENCE.
2 1 REEL : 1000 CONNECTORS.

| NO. | MATERIAL | FINISH, REMARKS | NO. | MATERIAL | FINISH, REMARKS | DESIGNED | CHECKED | APPROVED | RELEASED |
|---------------------|-------------|-----------------------|-----|----------|-----------------|--------------------|---------|-----------|----------|
| 2 | POLYESTER | COVER TAPE | | | | | | | |
| 1 | POLYSTYRENE | EMBOSSED CARRIER TAPE | 3 | | (CONNECTOR) | | | | |
| DRAWING FOR PACKING | | | | | | | | | |
| DRAWN | | Y. AOYAGI | | DESIGNED | | J. Noda | | APPROVED | |
| SCALE | | 2 : 1 | | CHECKED | | K. Ogawa | | H. Okawa | |
| UNITS | | mm | | NO. | | '05.09.16 | | '05.09.26 | |
| PART NO. | | EDC3-071319-22 | | PART NO. | | FX6A-4OP-0.8SV(92) | | | |
| CODE NO. | | EDC3-071319-22 | | CODE NO. | | CL576-0203-8-92 | | | |