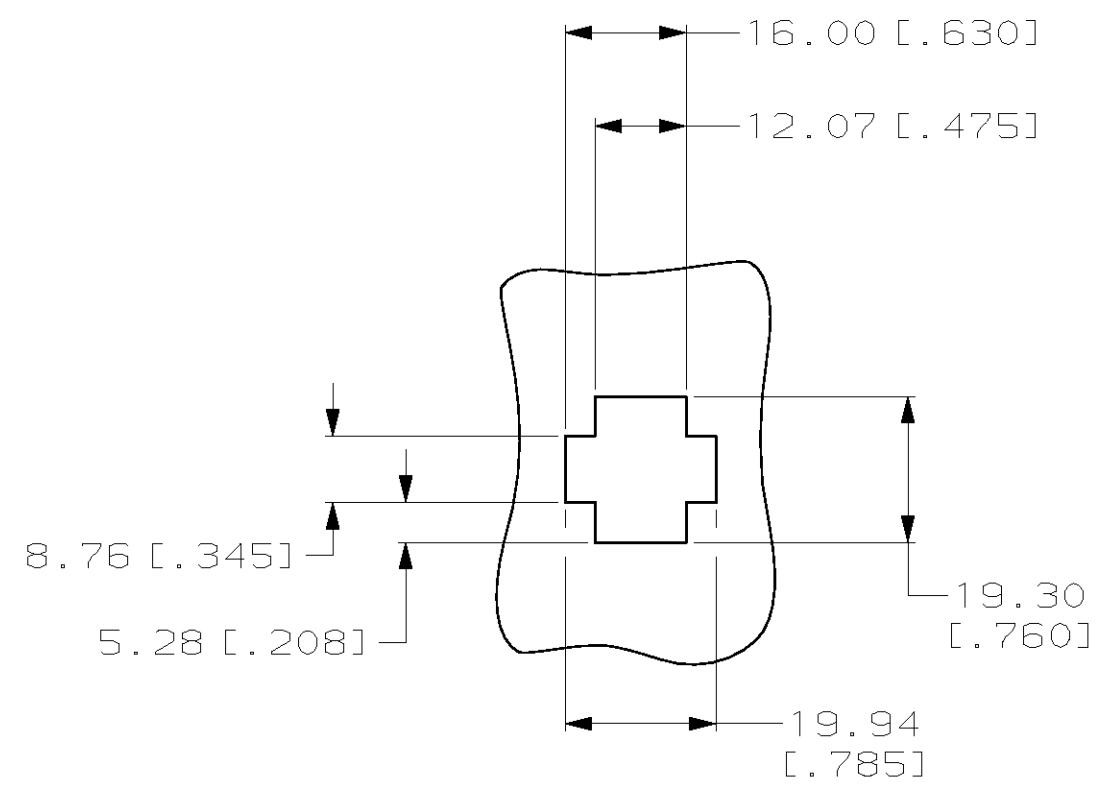
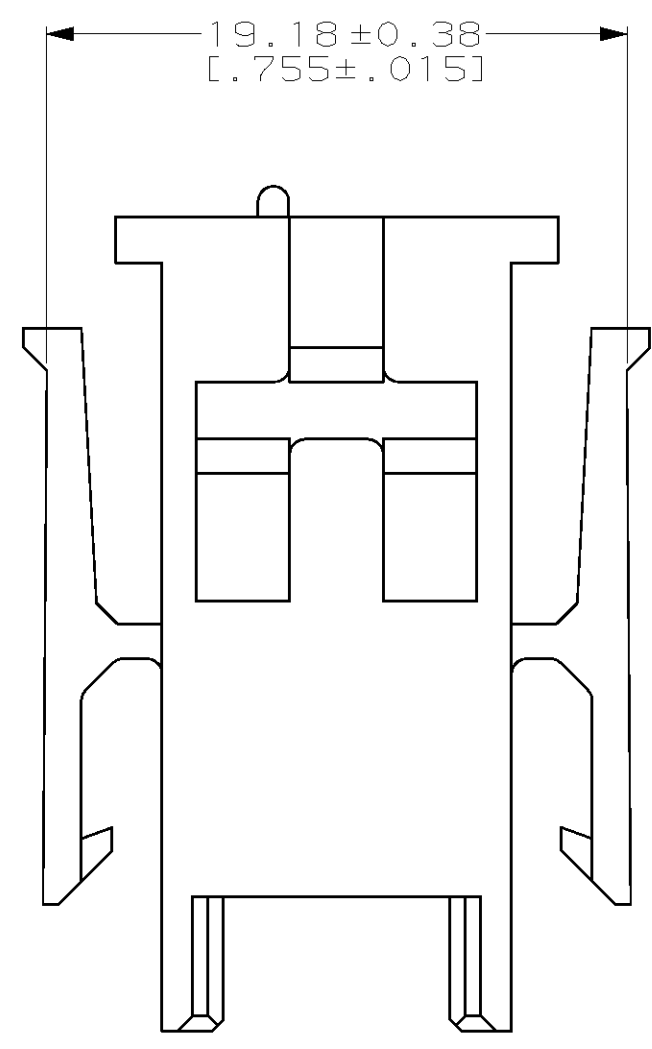
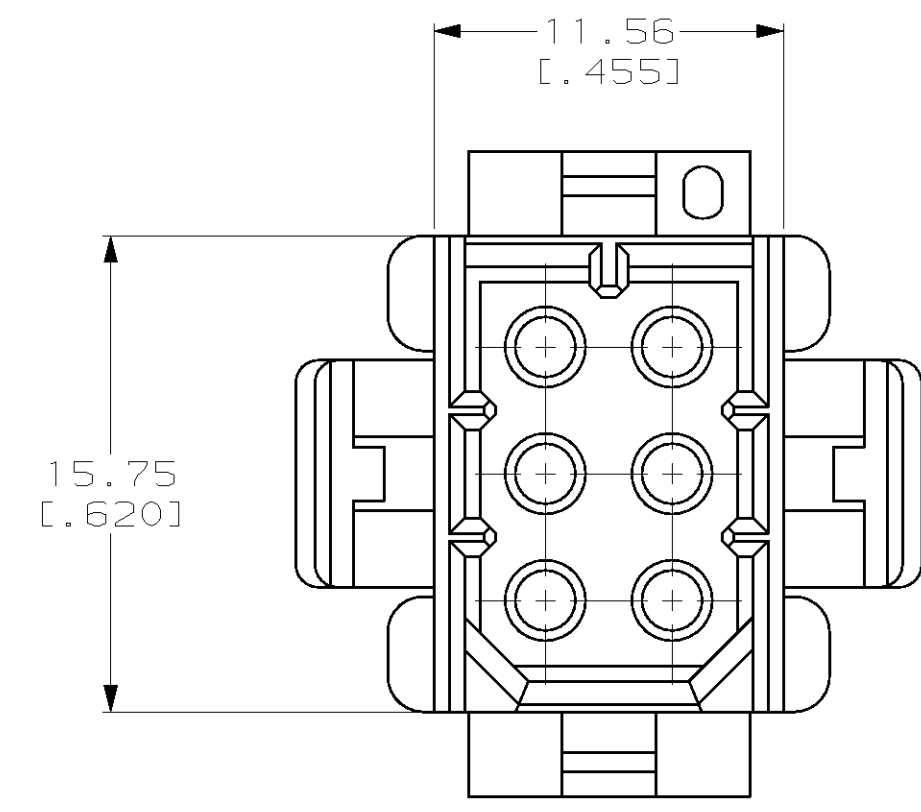
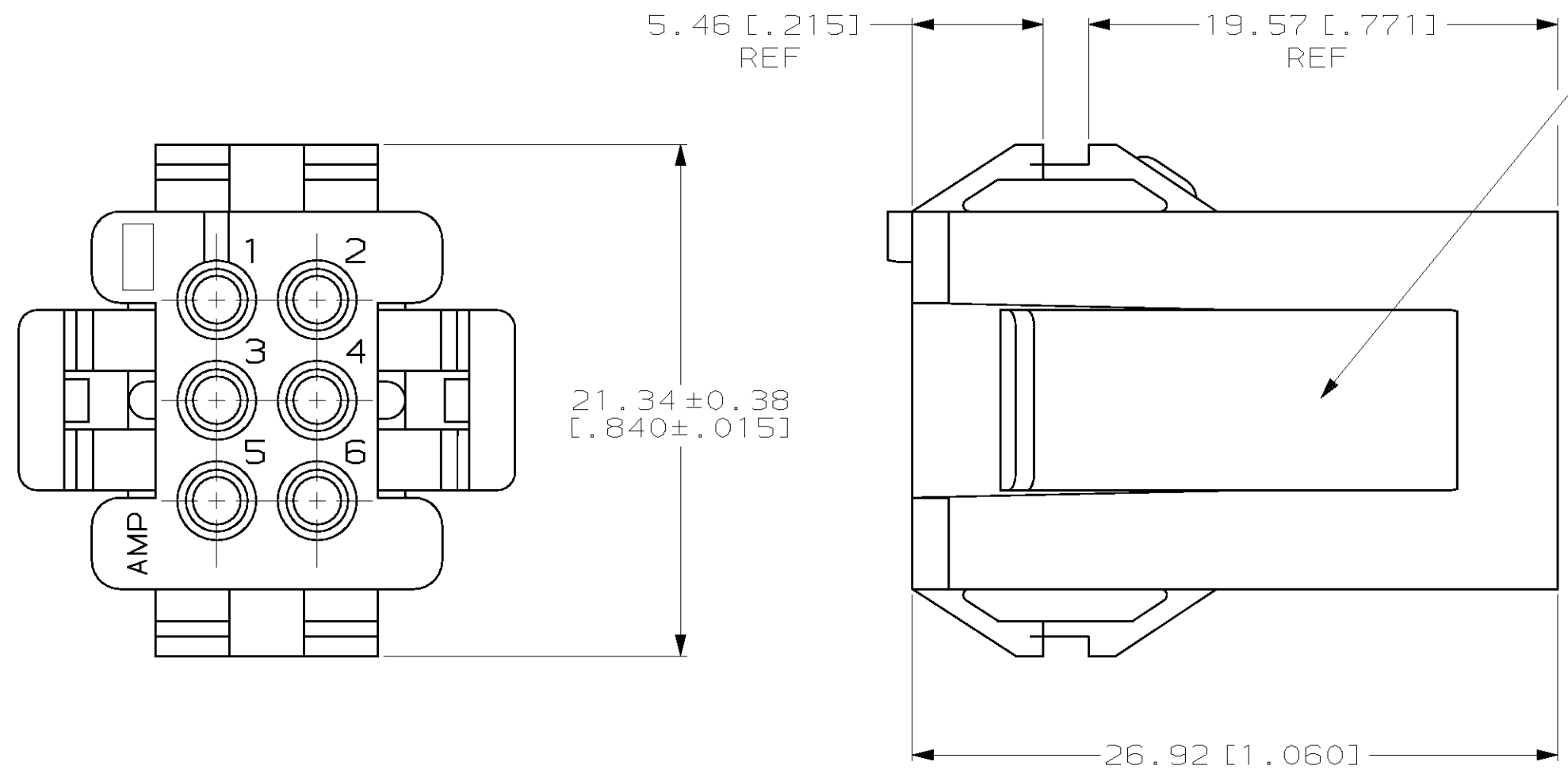


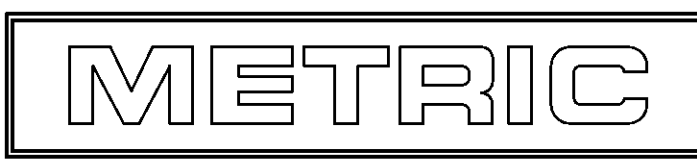
THIS DRAWING IS UNPUBLISHED. RELEASED FOR PUBLICATION .19
 (C) COPYRIGHT 19 BY AMP INCORPORATED. ALL RIGHTS RESERVED.

LOC		DIST		REVISIONS			
P	LTR	DESCRIPTION	DATE	DWN	APVD		
CM	52						
		D	REV PER EC	0L30-0015-97	2-21-97	JH	RS

- MATES WITH HOUSING 640520.
- UL LOGO AND CSA LOGO TO APPEAR ON EITHER LATCH SURFACE PER AMP SPEC 202-20, I.D. NO. 1-18838-3 AND 1-18839-3. FROST BACKGROUND OPTIONAL.
- DIMENSIONS IN BRACKETS ARE IN INCHES.



RECOMMENDED CUT OUT
 FOR 1.73 [.068] MAX THICK PANEL
 SCALE 1:1



1-640510-0
 PART NUMBER

THIS DRAWING IS A CONTROLLED DOCUMENT.		DWN	R. VESTAL	7-12-96	AMP Incorporated Harrisburg, PA 17105-3608	
DIMENSIONS: mm [INCHES]		CHK	R. SWING	7-12-96		
TOLERANCES UNLESS OTHERWISE SPECIFIED:		APVD	A. BEDDICK	7-12-96		
0 PLC ±- 1 PLC ±- 2 PLC ±0.13 [.005] 3 PLC ±- 4 PLC ±- ANGLES ±0°30'		NAME	HOUSING, CAP MRII 6 POSITION			
MATERIAL NYLON, UL 94V-0, NATURAL (BRICK RED)		PRODUCT SPEC	-		SIZE	A2
FINISH -		APPLICATION SPEC	-		CAGE CODE	00779
		WEIGHT	-		DRAWING NO	C-640510
		CUSTOMER DRAWING			SCALE	4:1
					SHEET	1 OF 1
					REV	D