

Technical specification:

Rated voltage: IEC 61076-2-101	5pos 60 V
Current rating: IEC 61076-2-101	4 A at 40°C
Insulation resistance: IEC 60512	$\geq 100 \text{ M}\Omega$
Pollution degree: IEC 60664-1	3/2
Degree of protection: DIN 40050-9	IP 69K, in mated condition
Temperature range: IEC 60664-1	-30°C ... +105°C
Mating cycles: IEC 60512-9a	≥ 100

Materials:

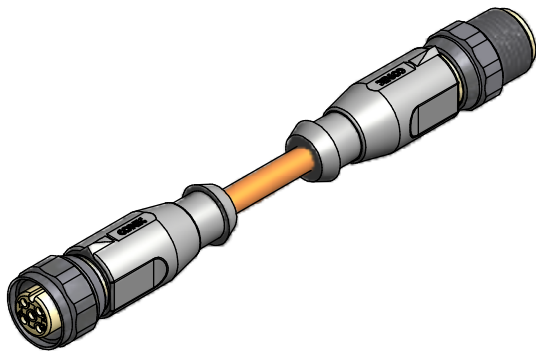
Contact:	CuZn
Contact plating:	Nickel, gold plated
Contact carrier:	PP GF, UL 94
Sealing:	FPM
Coupling nut/ screw:	1.4404 stainless steel
Moulding body:	Thermoplastic elastomere, grey

Installation specification:

Recommended torque:	0,6 Nm
---------------------	--------

Contact assignment:

- 1) brown
- 2) white
- 3) blue
- 4) black
- 5) green-yellow



Part no:	Description:	Length L:	Cable:
43-10920	SAL - FB - 12 - RK5 - RS5 - 0,3 / P1	0,3m	PP, orange, 5x0,34mm ² Cable: 781-P13500
43-10921	SAL - FB - 12 - RK5 - RS5 - 0,6 / P1	0,6m	
43-10922	SAL - FB - 12 - RK5 - RS5 - 1,5 / P1	1,5m	
43-10923	SAL - FB - 12 - RK5 - RS5 - 3 / P1	3m	
43-xxxxx	SAL - FB - 12 - RK5 - RS5 - ... / P1	x	

D see data sheet cable

DO NOT ALTER CAD DRAWING BY HAND Directive 2002/95/EC RoHS compliant	Index: b 23.02.11 VF Ä3909 technical specification changed, part no. cable in table added, data sheet modified	dim. in mm	title: Connecting cable M12x1, FB, female connector axial - male connector axial									
	tolerance of cable: $L \leq 4m: L + 40mm$ $L > 4m: L + 1\%$			<table border="1"> <tr> <td></td> <td>date</td> <td>name</td> </tr> <tr> <td>drawn</td> <td>08.03.07</td> <td>Fromm</td> </tr> <tr> <td>appd.</td> <td>08.03.07</td> <td>Mankopf</td> </tr> </table>		date	name	drawn	08.03.07	Fromm	appd.	08.03.07
		date		name								
	drawn	08.03.07		Fromm								
appd.	08.03.07	Mankopf										
THIS DRAWING MAY NOT BE COPIED OR REPRODUCED IN ANY WAY, AND MAY NOT BE PASSED ON TO A THIRD PARTY WITHOUT WRITTEN PERMISSION. OWNERSHIP AND COPYRIGHT OF CONEC GmbH		dwg no: 43K1A238										
		part no: see table										