

Features

- PC pin or solder lug terminals
- Rotary switch option
- Metal shaft styles
- Carbon element
- Audio, linear, and reverse audio tapers
- RoHS compliant*



PDB184 - 17 mm Rotary Potentiometer w/Rotary Switch

Electrical Characteristics

Taper..... Linear, audio
 Standard Resistance Range 1 K ohms to 1 M ohms
 Standard Resistance Tolerance..... ±20 %
 Residual Resistance..... 1 % max.

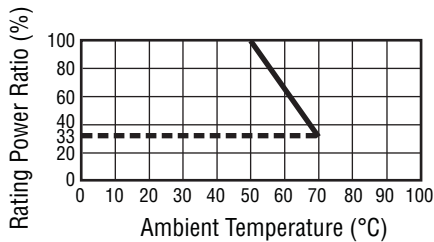
Environmental Characteristics

Operating Temperature -10 °C to +50 °C
 Power Rating
 Linear 0.125 watt
 Audio 0.06 watt
 Maximum Operating Voltage
 Linear 200 V
 Audio 150 V
 Sliding Noise 47 mV max.

Mechanical Characteristics

Mechanical Angle 300 ° ±5 °
 Rotational Torque 30 to 100 g-cm
 Stop Strength 5 kg-cm min.
 Rotational Life 15,000 cycles
 Switch Life 15,000 cycles
 Switch Type SPDT
 Switching Angle 50 ° max.
 Soldering Condition
 260 °C max. within 3 seconds
 Hardware One flat washer and mounting nut supplied per potentiometer with bushing

Derating Curve

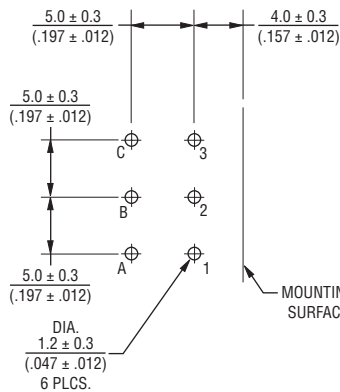
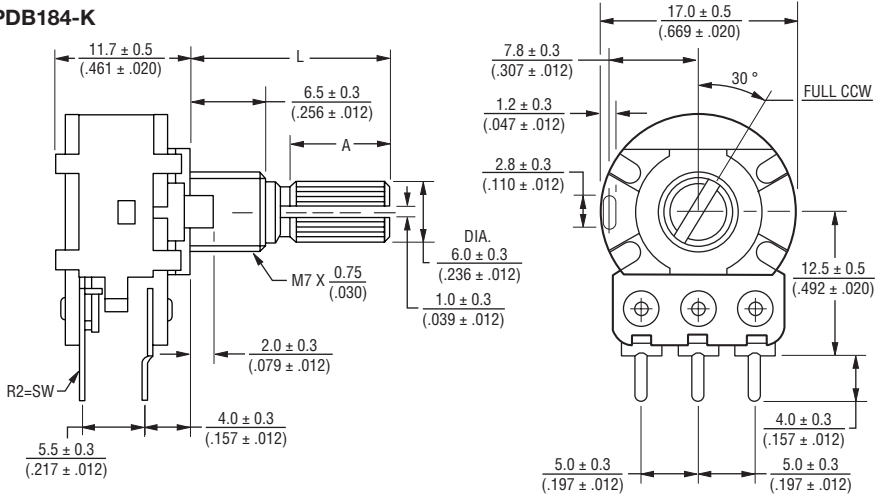


Standard Resistance Table

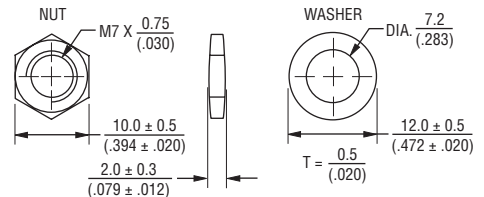
Resistance (Ohms)	Resistance Code
1,000	102
2,000	202
5,000	502
10,000	103
20,000	203
50,000	503
100,000	104
200,000	204
500,000	504
1,000,000	105

Product Dimensions

PDB184-K

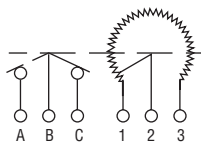


DIMENSIONS: $\frac{\text{MM}}{\text{(INCHES)}}$



L	$\frac{20}{(.787)}$	$\frac{25}{(.984)}$	$\frac{30}{(1.181)}$
A	$\frac{12}{(.472)}$	$\frac{14}{(.551)}$	$\frac{12}{(.472)}$

Schematic



*RoHS Directive 2002/95/EC Jan 27 2003 including Annex Specifications are subject to change without notice. Customers should verify actual device performance in their specific applications.

Applications

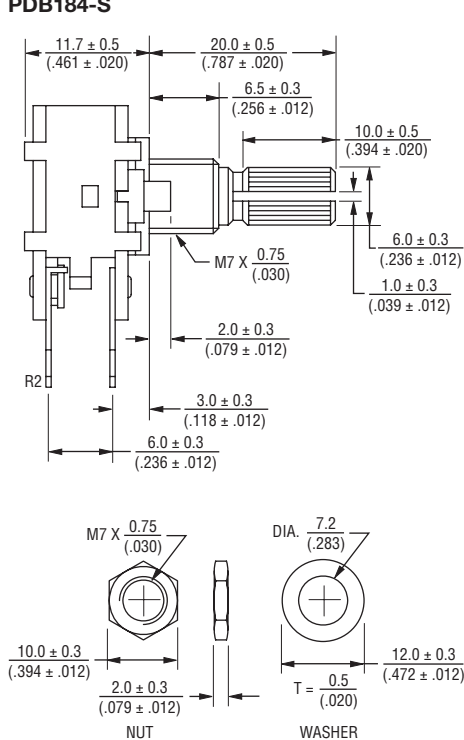
- Car audio controls
- Amplifiers
- Mixers
- Drum machines
- Synthesizers

PDB184 - 17 mm Rotary Potentiometer w/Rotary Switch

BOURNS®

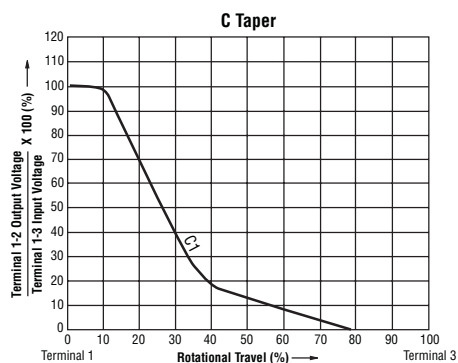
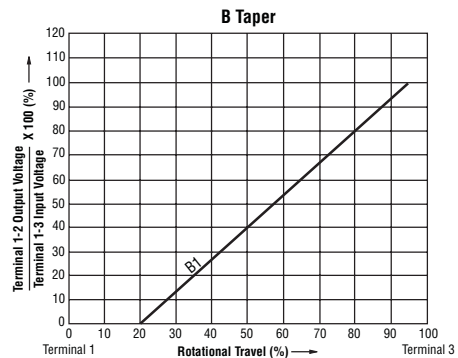
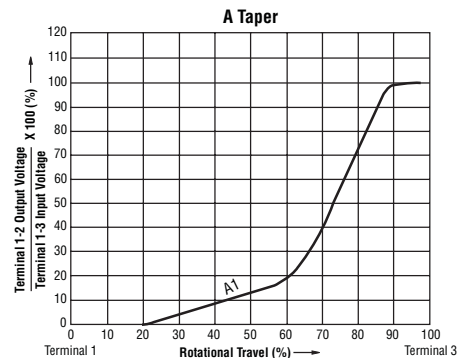
Product Dimensions

PDB184-S

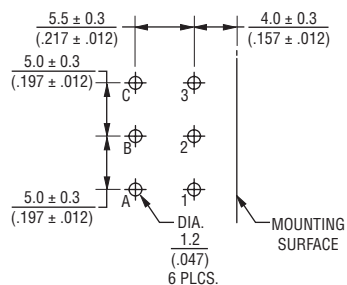
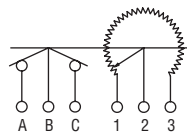


DIMENSIONS: $\frac{\text{MM}}{\text{(INCHES)}}$

Tapers



Schematic



How To Order

PDB184 - K 4 25 K - 103 A1

Model _____

Terminal Configuration (Pin Layout) _____
(see individual drawings)

- K = PC Pins Vertical/Down Facing(12.5 mm)
- S = Solder Lugs Vertical/Down Facing

Detent Option _____

- 4 = No Detents

Standard Shaft Length _____

- 20 = 20 mm
- 25 = 25 mm
- 30 = 30 mm

Shaft Style _____

- K = Metal Knurled Type Shaft - 18 Toothed Serration Type

Resistance Code (See Table) _____

Resistance Taper (See Taper Charts) _____

REV. 02/10

Specifications are subject to change without notice. Customers should verify actual device performance in their specific applications.