

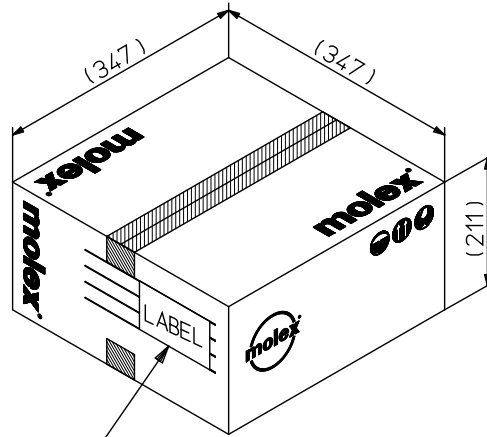
1. 製品名称／PRODUCT NAME : 0.35 BB CONN. H=0.6 SSB6 RP PLUG ASSY EMBOSSED TAPE PACKAGING  
 製品番号／PART NUMBER : 505070-\*\*\*20  
 505070-\*\*\*80 (Checker)  
 (\*\*は極数を示す)  
 (\*\* IS CIRCUITS SIZE)

2. 標準梱包数／STANDARD PACKAGING QUANTITY

極数 CKT. SIZE	キャリア テープ幅 (mm) CARRIER TAPE WIDTH (mm)	1 リール中の製品数 QTY. PER REEL	外装カートン SHIPPING CARTON	
			梱包リール数 NUMBER OF REELS	製品数 QUANTITY
6	16	6,000	8	48,000
10				
12				
14				
16				
20				
22				
24				
30				
34	24	6,000	6	36,000
40				
48				
50				
54				

REV.	B								
SHEET	1~2								
REVISE ON PC ONLY				TITLE:					
<b>B</b>	REVISED J2016-0066 2015/07/23 Y.TOKUZONO			505070 梱包仕様書 SALES PACKAGING SPEC. FOR 505070					
	THIS DOCUMENT CONTAINS INFORMATION THAT IS PROPRIETARY TO MOLEX INC. AND SHOULD NOT BE USED WITHOUT WRITTEN PERMISSION								
REV.	DESCRIPTION			WRITTEN BY:	CHECKED BY:	APPROVED BY:	DATE: YR/MO/DAY		
	DESIGN CONTROL	STATUS		T.NAKAGAWA	T.HARUYAMA	H.HIRATA	2015/02/23		
DOCUMENT NUMBER							FILE NAME	SHEET	
<b>SPK-505070-002</b>							SPK505070002.docx	1 OF 2	
EN-037(2013-04 rev.1)									

3. カートン外形参考寸法 / CARTON OUTER DIMENSIONS (REFERENCE PURPOSE ONLY)      単位 / UNIT: mm



カートンラベル  
CARTON LABEL

(製品型番, 数量, ロットNO. 表示)  
INDICATION OF PART No., QUANTITY, LOT No.

標準カートン  
STANDARD CARTON

<b>B</b>	REVISE ON PC ONLY	TITLE: <b>505070 梱包仕様書</b> SALES PACKAGING SPEC. FOR 505070	
	SEE SHEET 1 OF 2		
REV.	DESCRIPTION	THIS DOCUMENT CONTAINS INFORMATION THAT IS PROPRIETARY TO MOLEX INC. AND SHOULD NOT BE USED WITHOUT WRITTEN PERMISSION	
DOCUMENT NUMBER <b>SPK-505070-002</b>		FILE NAME SPK505070002.docx	SHEET 2 OF 2
EN-037(2013-04 rev.1)			