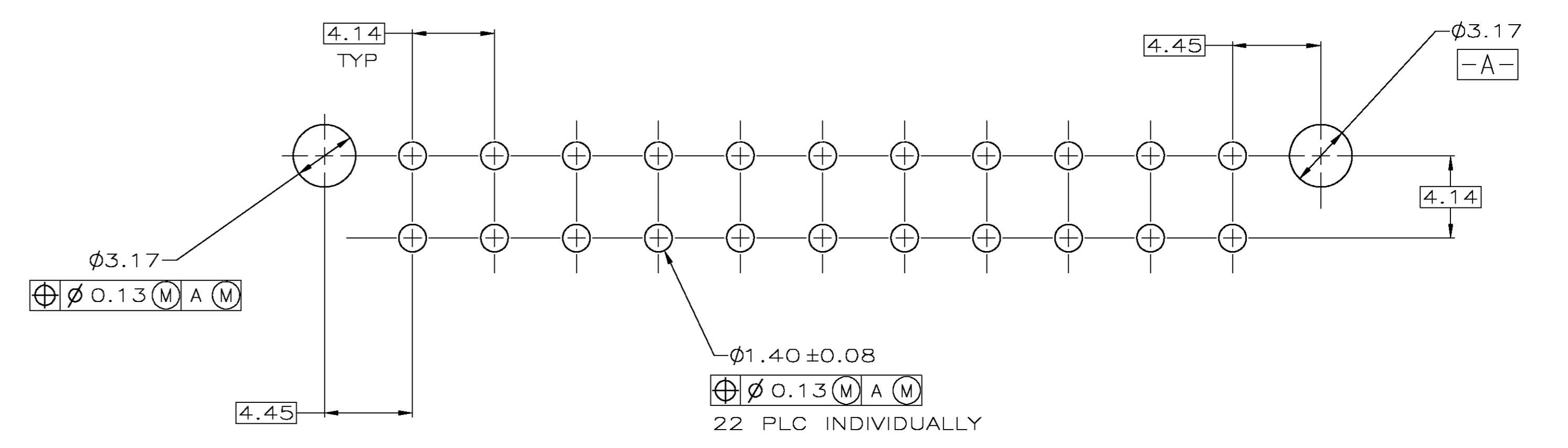
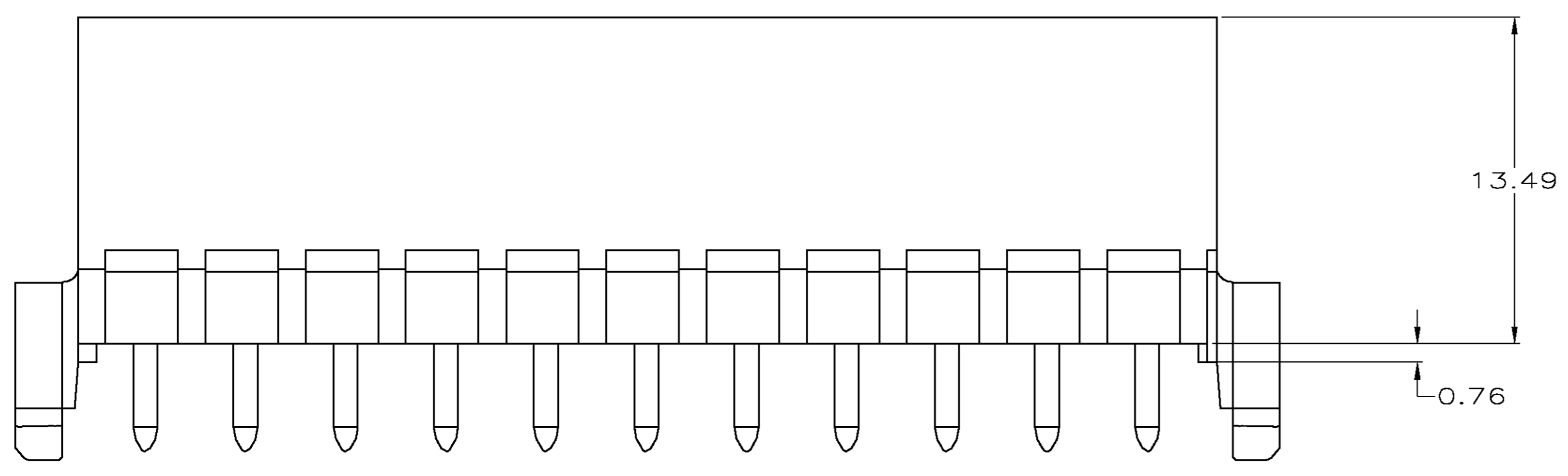
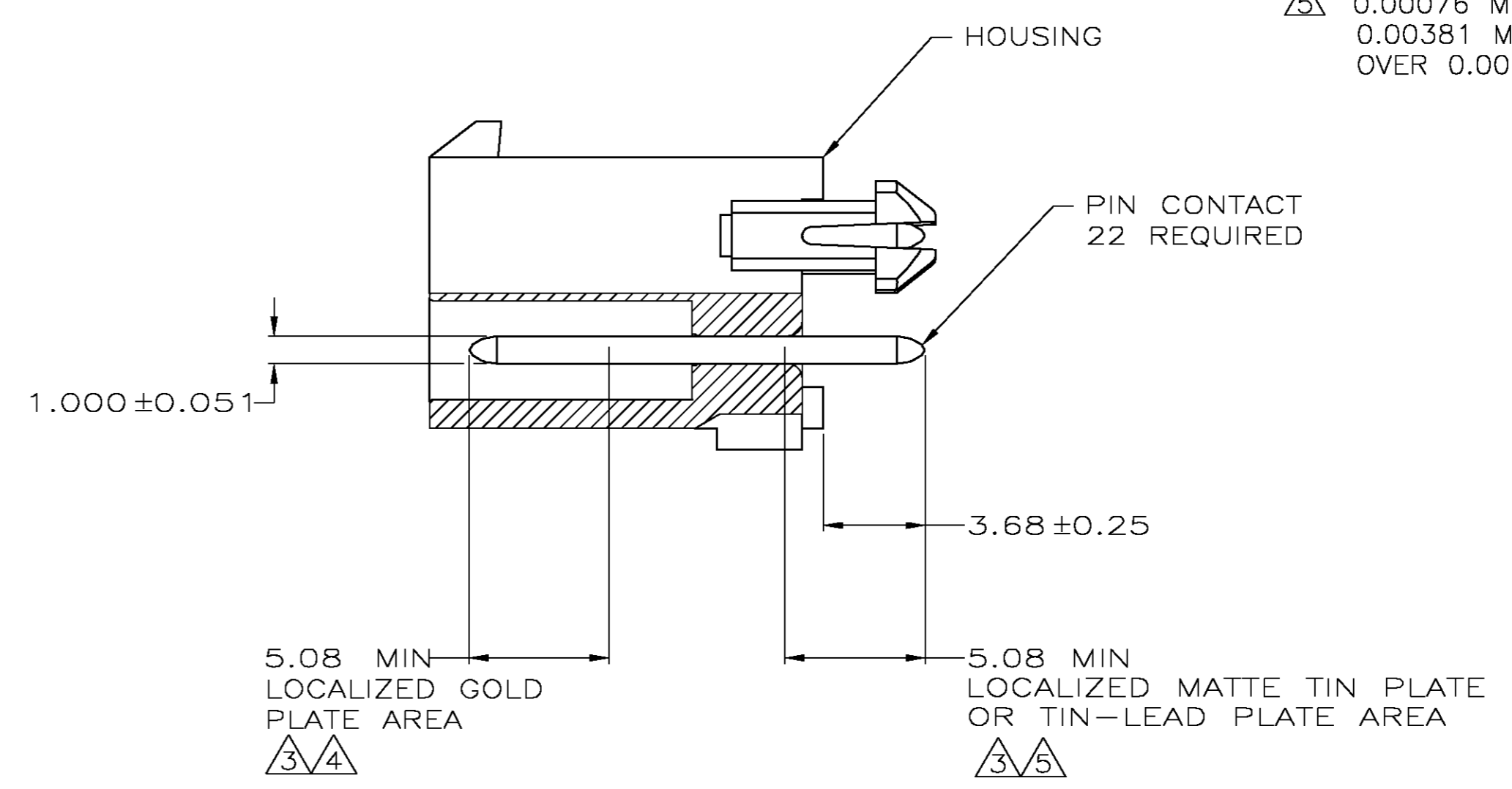
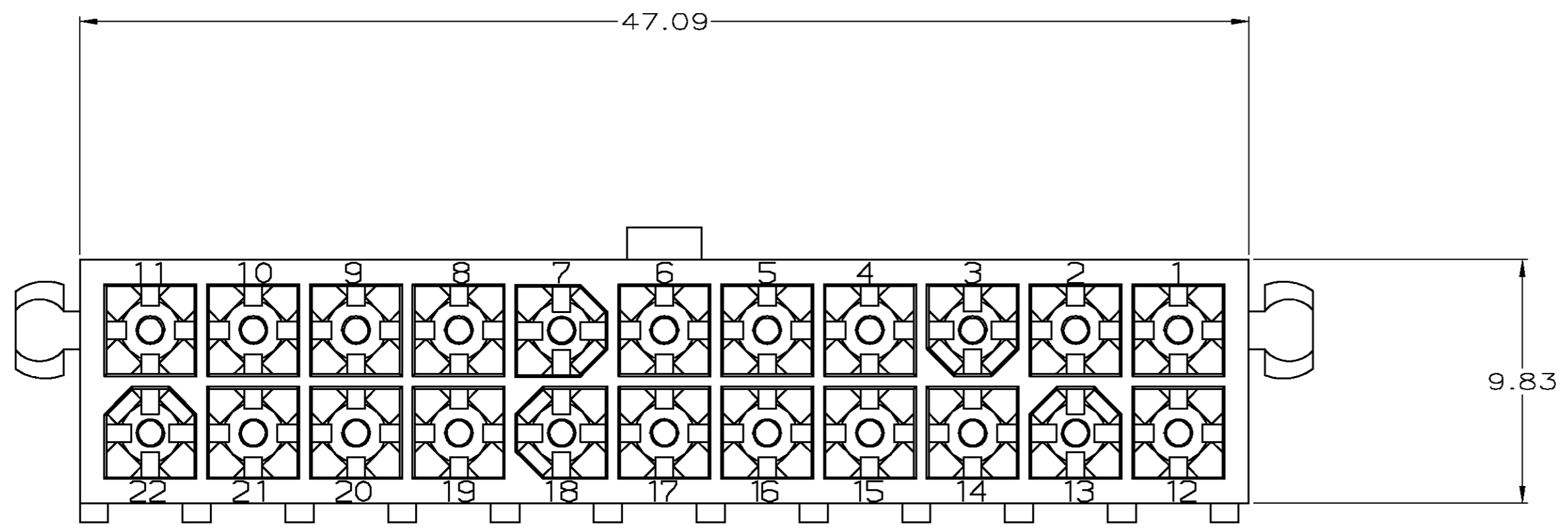
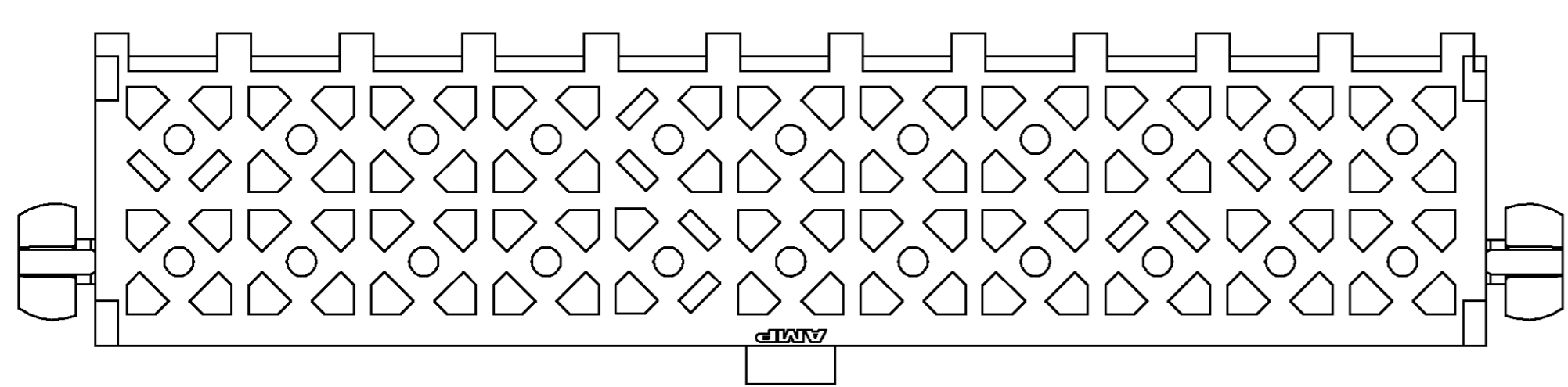


LOC		DIST		REVISIONS			
F	LTR	DESCRIPTION	DATE	DRN	APVD		
D		REVISED PER 063B-0211-05	6/7/05	SS	RJ		

- PINS TO COMPLY WITH AMP SOLDERABILITY SPEC. 108-11-3.
- 0.00381 MIN MATTE TIN LEAD OVER 0.00127 MIN NICKEL.
- 0.00076 MIN GOLD PLATE IN THE LOCALIZED PLATE AREA, 0.00381 MATTE TIN LEAD IN THE LOCALIZED PLATE AREA, BOTH OVER 0.00127 MIN NICKEL.
- 0.00381 MIN MATTE TIN OVER 0.00127 MIN NICKEL.
- 0.00076 MIN GOLD PLATE IN THE LOCALIZED PLATE AREA, 0.00381 MATTE TIN IN THE LOCALIZED PLATE AREA, BOTH OVER 0.00127 MIN NICKEL.



RECOMMENDED MOUNTING HOLE PATTERN FOR 1.57 THICK P.C. BOARD



PIN CONTACT MATERIAL AND FINISH	HOUSING MATERIAL AND COLOR	PART NUMBER
BRASS, GOLD $\Delta$	NYLON, 94V-0, WHITE	1-794071-1
BRASS, TIN $\Delta$	NYLON, 94V-0, WHITE	1-794071-0
BRASS, GOLD $\Delta$	NYLON, 94V-0, WHITE	794071-2
BRASS, TIN LEAD $\Delta$	NYLON, 94V-0, WHITE	794071-1

THIS DRAWING IS A CONTROLLED DOCUMENT.

DRN: K. WHITAKER 6-09-95	Tyco Electronics Corporation Harrisburg, Pa 17105-3608
CHK: R. SWING 6-09-95	
APPR: R. ORSTAD 6-13-95	NAME: R. ORSTAD
DIMENSIONS: mm	PRODUCT SPEC: --
TOLERANCES UNLESS OTHERWISE SPECIFIED:	APPLICATION SPEC: --
0 PLC ± --	SIZE: A1
1 PLC ± --	CAGE CODE: 00779
2 PLC ± 0.13	DRAWING NO: 794071
3 PLC ± --	RESTRICTED TO: --
4 PLC ± --	WEIGHT: --
ANGLES: --	CUSTOMER DRAWING
FINISH: --	SCALE: 5:1