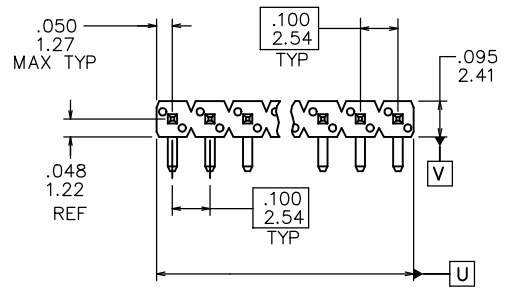
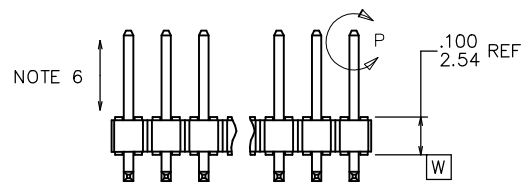


PRODUCT NUMBER
10118650-XXX XXXXLF

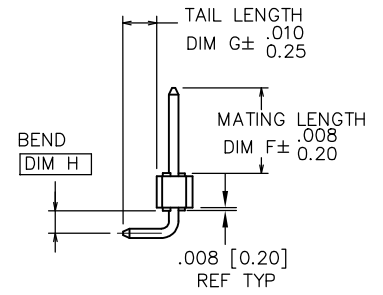
- LEAD FREE
SEE NOTE 1,11
- PACKAGING OPTION
SEE NOTE 1
- INDICATE DIFFERENT MATING LENGTH
AND TAIL LENGTH AND POLARIZED PIN
AND OTHER INFORMATION
- NO. OF
POSITIONS
SEE NOTE 1
- PIN PLATING
SEE SHEET 2
- BASE PART NO.



TOP VIEW



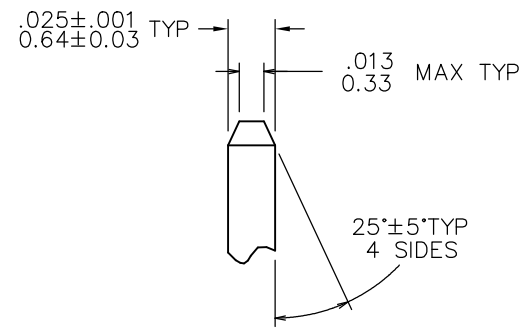
SIDE VIEW



END VIEW

⊕	∅.020/0.51	M	U	M	V	S	W
---	------------	---	---	---	---	---	---

NOTE 4



DETAIL P
TYP BOTH ENDS

mat'l. code		surface ISO 1302 ✓		tolerance ISO 406 ISO 1101		projection INCH/MM		product family BERGSTIK	
ltr	ecn no	dr	date	tolerances unless otherwise specified		scale 5:1		title BERGSTIK II HEADER .100 SR R/A SELF-RET	
C	ELX-N-19714	J.H	12/11/14	angles	.XX±.01/.XX±.3	Amphenol FCI		dwg no 10118650	
D	ELX-N-20789	J.H	04/29/15	linear	.XXX±0.005/.XXX±.13			sheet 1 of 4 size A3	
E	ELX-N-26709	MZ	4/18/17	0°±2°	.XXXX±0.002/.XXXX±.051			type Product Customer Drawing	
				dr	ZK.HU	09/02/11			
				enr	ZK.HU	09/02/11			
				chr	J.ZHOU	09/02/11			
				appd	R.BIAN	09/02/11			
sheet	revision	E	E	E					
index	sheet	1	2	3					

PIN PLATING CODES:

XXXXX-1YY	30u"/0.76u MIN (SEE NOTE 12) OVER 50u"/1.27u MIN Ni
XXXXX-2YY	15u"/0.38u MIN (SEE NOTE 12) OVER 50u"/1.27u MIN Ni
XXXXX-3YY	50u"/1.27u MIN (SEE NOTE 12) OVER 50u"/1.27u MIN Ni
XXXXX-4YY	100u"/2.54u MIN Sn OVER 50u"/1.27u MIN Ni (SEE NOTE 1,13)

- ③. PIN MATERIAL: COPPER ALLOY.
- ④. MEASURED WITH PART IN RESTRAINED CONDITION.
- 5. TWO SIDES OF PIN TIPS NOT PLATED. TYPICAL BOTH ENDS.
- ⑥. 2LBS/0.9KG MIN PIN RETENTION IN EITHER DIRECTION.
- 7. ±.010/0.25 ON DIM "F" APPLIES TO THIS PART ONLY.
- 8. 5LB/2.3KG MAX INSERTION FORCE AND .25LB/.1KG MIN RETENTION FORCE PER RETENTIVE PIN USING .062/1.57 THICK CIRCUIT BOARDS AND RECOMMENDED HOLE PATTERN.
- ⑨. SECTION R-R DIMENSIONS ONLY APPLY TO RETENTION. PIN POSITIONS FOR 3 POSITION PARTS AND LARGER. RETENTION PIN POSITIONS LOCATED AT MANUFACTURES OPTION.
- ⑩. SECTION S-S DIMENSIONS APPLY TO DUAL RETENTION PIN POSITIONS ONLY. SEE PRODUCT PART NUMBER FOR SINGLE OR DUAL SIDE RETENTION. LOCATED AT MANUFACTURER'S OPTION.
- ⑪. THESE PRODUCTS MEETS EUROPEAN UNION DIRECTIVES AND OTHER COUNTRY REGULATION AS DESCRIBED IN GS-22-008.
- ⑫. PLATING OPTIONS:
PERFORMANCE PLATING WILL BE EITHER GOLD OR GXT ON POST OR TAIL, OPTIONALLY (78~295u"/2~7.5u) TIN ON TAIL.
- ⑬. THIS PRODUCT HAS 100% TIN PLATING IN THE INTERFACE AND HAS NOT BEEN TESTED FOR WHISKER GROWTH IN ALL INTERCONNECT ENVIRONMENTS.

NOTES

①. PART NUMBER OPTIONS:

PIN PLATING CODES (SEE ABOVE)

NUMBER OF POSITION:

ANY NUMBER OF POSITIONS FROM 2 THRU 36.

PACKAGING:

PACKAGED IN POLY BAGS.

EIGHT DIGIT PART NUMBERS FOLLOWED BY A "T" ARE PACKAGED IN TUBES. SEE SPECIFIC PART NUMBERS FOR AVAILABILITY.

LEAD FREE:

ADD "LF" SUFFIX AT THE END OF PART NUMBER FOR LEAD FREE OPTION.

②. BODY MATERIAL:

HIGH TEMPERATURE THEROPLASTIC.

PART NUMBERS WILL WITHSTAND EXPOSURE

TO 260°C PEAK TEMPERATURE FOR 20 SECONDS IN

WAVE SOLDER, INFRA-RED OR VAPOR PHASE SOLDER PROCESS.

.100±.003 [2.54±0.08]

TYP. NON-ACCUMULATIVE

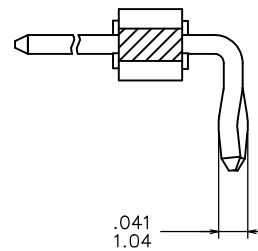
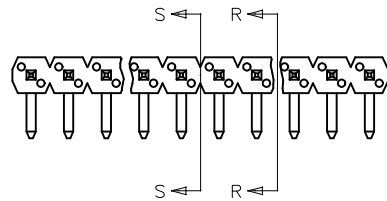


∅.040±.003 [1.02±.08] TYP.

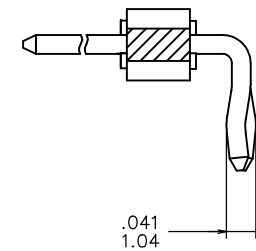
RECOMMENDED HOLE PATTERN

mat'l. code		surface ISO 1302 ✓		tolerance ISO 406 ISO 1101		projection 		product family BERGSTIK			
ltr		ecn no		dr		date		tolerances unless otherwise specified		title	
E								.XX±01/.XX±.3		BERGSTIK® II HEADER	
								.XXX±0.005/.XXX±.13		.100 SR R/A SELF-RET	
								.XXXX±0.002/.XXXX±.051		scale 5:1	
				dr		ZK.HU		09/02/11		dwg no	
				enr		ZK.HU		09/02/11		sheet 2 of 4	
				chr		J.ZHOU		09/02/11		size	
				appd		R.BIAN		09/02/11		A3	
sheet index		revision sheet								type Product Customer Drawing	

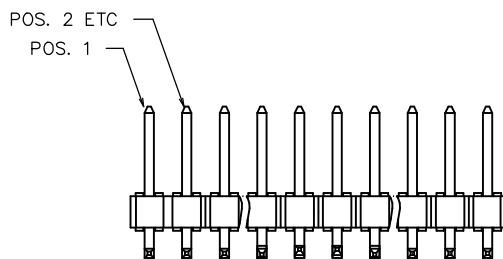
PRODUCT NUMBER	MATING LENGTH		TAIL LENGTH		BEND DIM		POLARIZED PIN	RETENTION	LOCATION	LF OPTION
	DIM F	DIM F	DIM G	DIM G	DIM H	DIM H				
10118650-YYY001XLF	0.150	3.80	0.150	3.80	0.060	1.52	-	YES		NOTE 1,11
10118650-YYY002XLF	0.150	3.80	0.150	3.80	0.060	1.52	2,4,6	YES		
10118650-YYY003XLF	0.100	2.54	0.120	3.05	0.060	1.52	2,4,6,8,10	NO		
10118650-YYY004XLF	0.120	3.05	0.130	3.30	0.060	1.52	4	NO		



SECTION R-R
NOTE 9



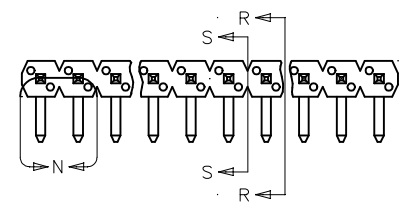
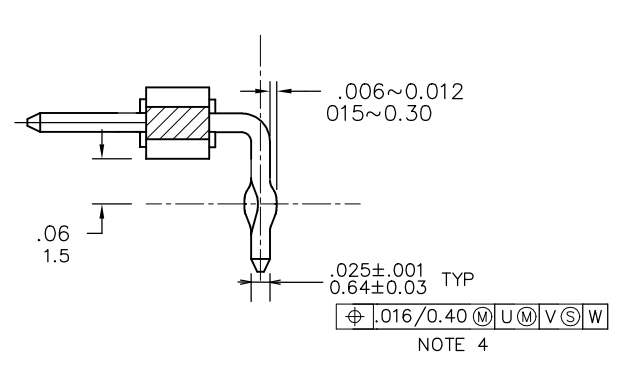
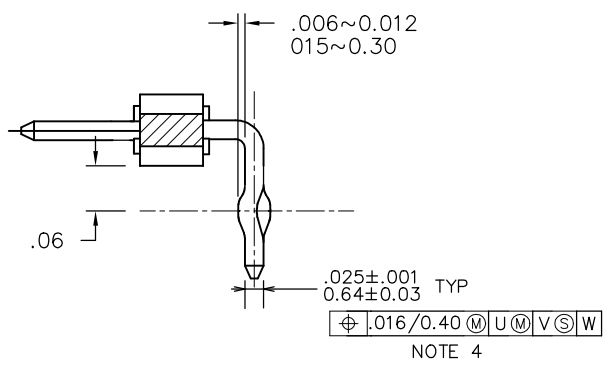
SECTION S-S
NOTE 10



mat'l. code		surface ISO 1302 ✓		tolerance ISO 406 ISO 1101		projection 		product family BERGSTIK		
ltr		ecn no		dr		date		title BERGSTIK II HEADER .100 SR R/A SELF-RET		
E								scale 5:1		
		angles		linear				type Product Customer Drawing		
		0°±2°						sheet 3 of 4 size A3		
		dr		ZK.HU		09/02/11		dwg no 10118650		
		enr		ZK.HU		09/02/11		Amphenol FCI		
		chr		J.ZHOU		09/02/11		type Product Customer Drawing		
		appd		R.BIAN		09/02/11		sheet 3 of 4 size A3		
sheet index		revision sheet								

© 2016 AFCI
 Amphenol FCI

PRODUCT NUMBER	MATING LENGTH		TAIL LENGTH		BEND DIM		POLARIZED PIN	RETENTION	LOCATION	LF OPTION
	DIM F	DIM F	DIM G	DIM G	DIM H	DIM H				
10118650-X03005XLF	0.150	3.80	0.150	3.80	0.060	1.52	2	YES	1,3	NOTE 1,11
10118650-X05006XLF	0.150	3.80	0.150	3.80	0.060	1.52	————	YES	3,4	
10118650-X06007XLF	0.150	3.80	0.150	3.80	0.060	1.52	————	YES	3,4	
10118650-X07008XLF	0.150	3.80	0.150	3.80	0.060	1.52	2,4,6	YES	3,5	
10118650-X04009XLF	0.150	3.80	0.150	3.80	0.060	1.52	————	YES	2,3	



mat'l. code		surface ISO 1302 ✓		tolerance ISO 406 ISO 1101		projection INCH/MM		product family BERGSTIK			
ltr		ecn no		dr		date		tolerances unless otherwise specified		title	
E								.XX±01/.XX±3		BERGSTIK® II HEADER	
								.XXX±0.005/.XXX±.13		.100 SR R/A SELF-RET	
								.XXXX±0.002/.XXXX±.051		scale 5:1	
				dr		ZK.HU		09/02/11		dwg no	
				enr		ZK.HU		09/02/11		sheet 4 of 4	
				chr		J.ZHOU		09/02/11		size	
				appd		R.BIAN		09/02/11		A3	
sheet index		revision sheet								type Product Customer Drawing	

Amphenol FCI
 © 2016 AFCI