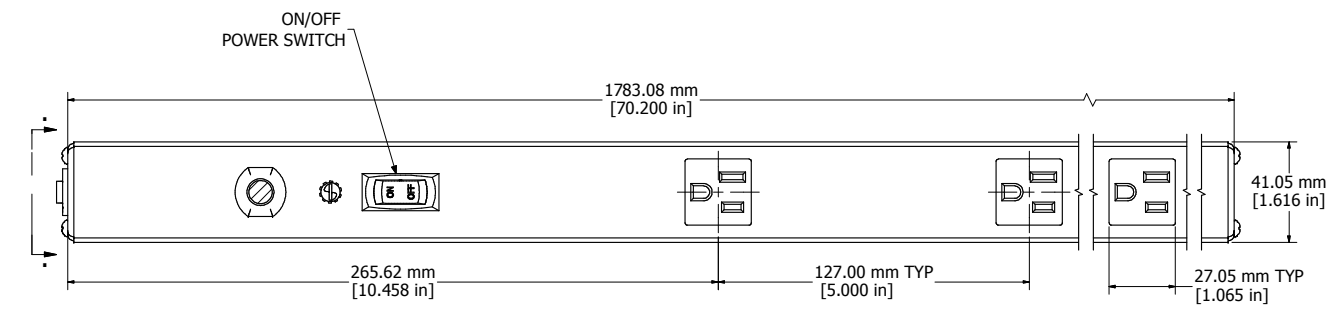
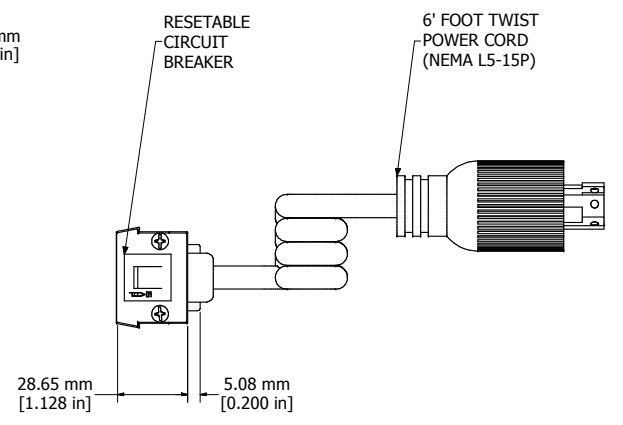
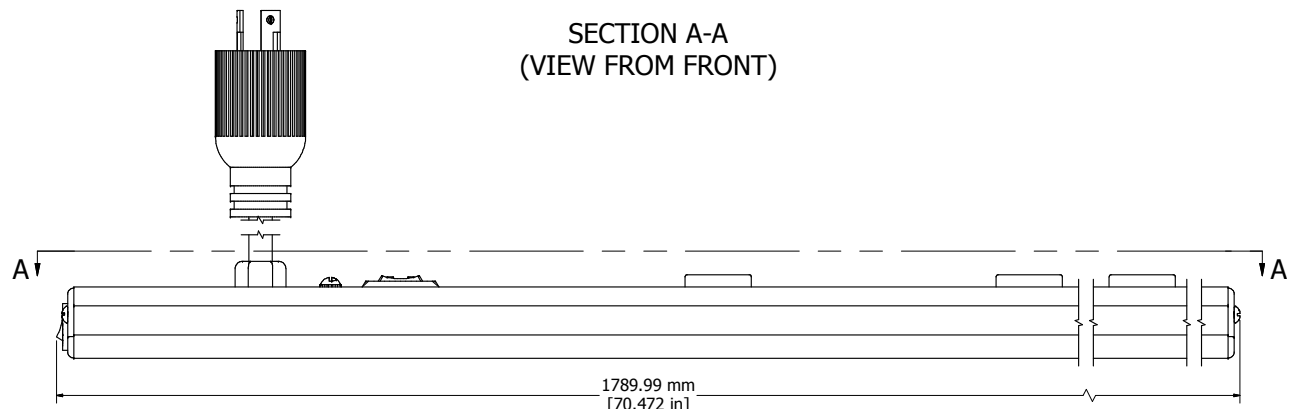


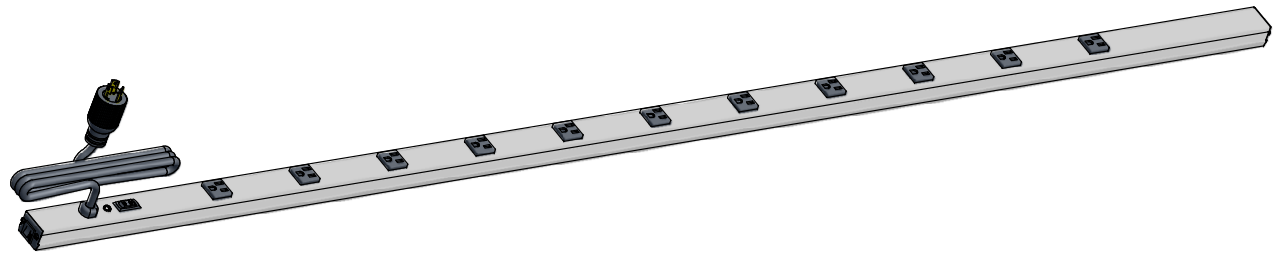
8 7 6 5 4 3 2 1



SECTION A-A
(VIEW FROM FRONT)



ASSEMBLY - VIEW FROM END



1587H11C1
Finish - Case - Anodized Aluminum Extrusion
Ends - ABS Plastic
Rated - 125 VAC, 60 Hz, 15 Amps
Approvals - CSA Certified Standards C22.2 (No. 21-95, 42-99)
- UL Listed Standard UL1363
Cord Length
1587H11C1 - 6' Foot Twist Power Cord (NEMA L5-15P)
1587H11D1 - 15' Foot Twist Power Cord (NEMA L5-15P)
Accessories Included
Mounting Bracket Kit with Hardware

HAMMOND MANUFACTURING™

1587H11C1

www.hammondmfg.com

8 7 6 5 4 3 2 1