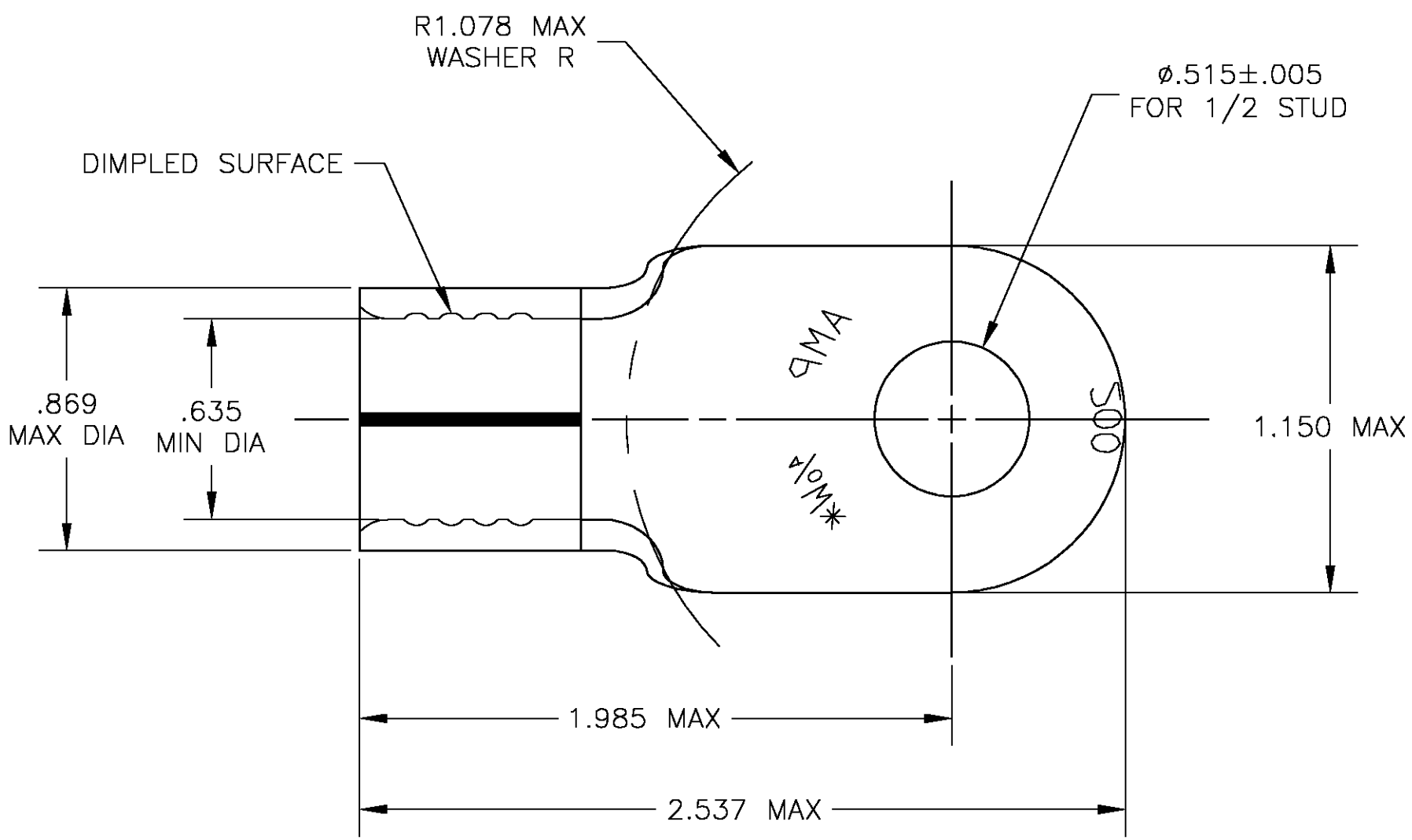


THIS DRAWING IS UNPUBLISHED. RELEASED FOR PUBLICATION
 © COPYRIGHT BY TYCO ELECTRONICS CORPORATION. ALL RIGHTS RESERVED.

LOC	DIST	REVISIONS			
P	LTR	DESCRIPTION	DATE	DWN	APVD
G	14	C	REDRAWN PER 0G3A-0739-03	17NOV03	JR MS



- 1 .102±.003 THK COPPER PER ASTM B-152
- 2 TIN PLATE PER ASTM B-545, ANNEALED

321163-0
 PART NO

THIS DRAWING IS A CONTROLLED DOCUMENT.		DWN JR RUTH 17NOV03	Tyco Electronics Corporation Harrisburg, PA 17105		
DIMENSIONS: INCHES		CHK MJ SPICER 17NOV03			
		APVD MJ SPICER 17NOV03	NAME WIRE TERMINAL, SOLISTRAND RING TONGUE, WIRE SIZE: 4/0		
TOLERANCES UNLESS OTHERWISE SPECIFIED:		PRODUCT SPEC	APPLICATION SPEC		
0 PLC ± - 1 PLC ± - 2 PLC ± - 3 PLC ± .008 4 PLC ± - ANGLES ± 1°		WEIGHT	SIZE	CAGE CODE	DRAWING NO
MATERIAL - 1		FINISH - 2	A3	00779	C-321163
CUSTOMER DRAWING			SCALE	SHEET	REV
			2:1	1 OF 1	C