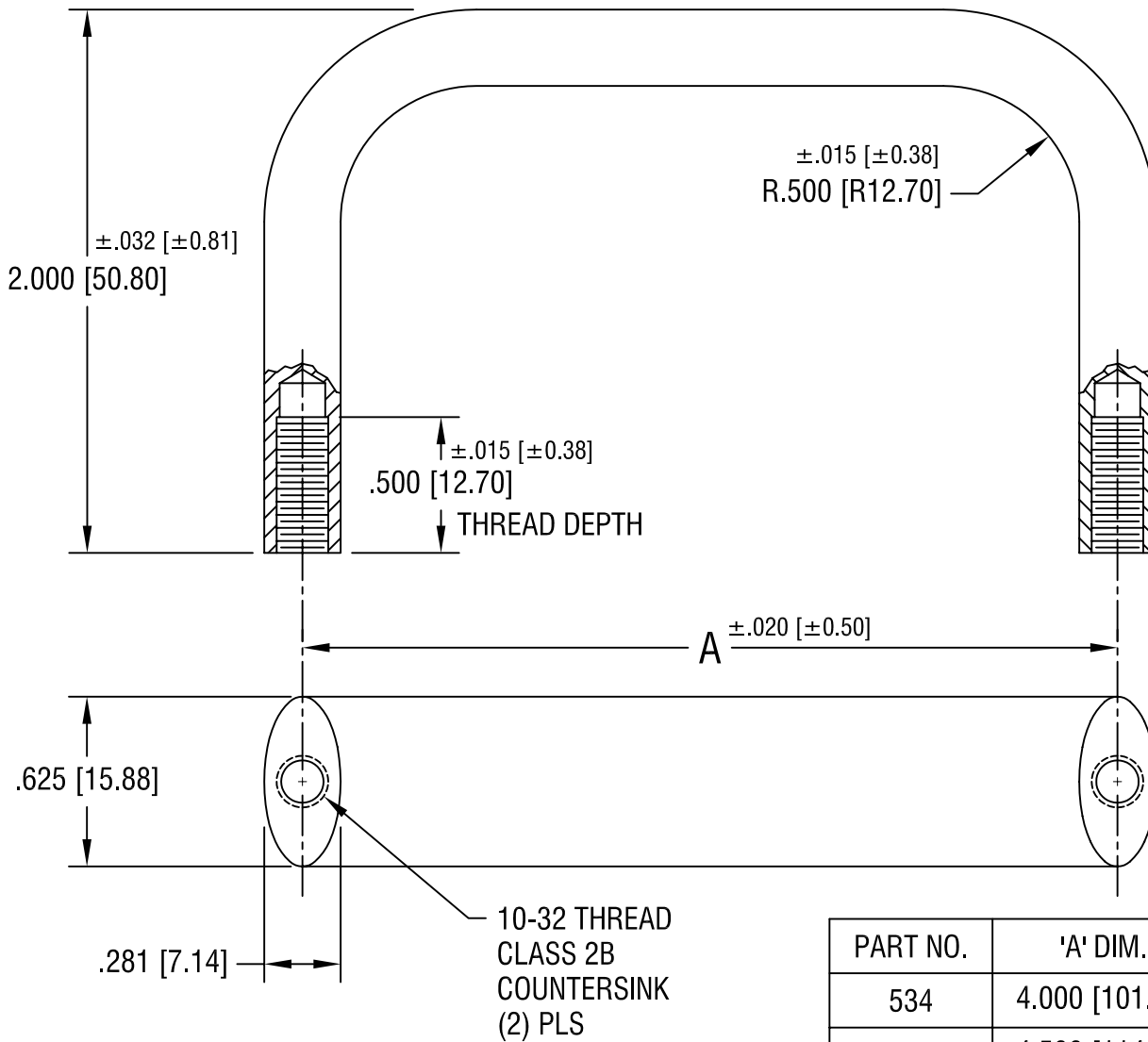


THIS DOCUMENT IS THE PROPERTY OF
KEYSTONE ELECTRONICS CORP. AND
SHALL NOT BE REPRODUCED, DISTRIBUTED
OR USED AS A BASIS FOR MANUFACTURE
WITHOUT PRIOR WRITTEN PERMISSION
FROM KEYSTONE ELECTRONICS CORP.



PART NO.	'A' DIM.
534	4.000 [101.60]
535	4.500 [114.30]
536	5.000 [127.00]
537	5.500 [139.70]
538	6.000 [152.40]

KEYSTONE ELECTRONICS CORP.			
ASTORIA, N.Y. 11105-2017			
PART NAME			
OVAL INSTRUMENTATION HANDLE			
MATERIAL			
BRASS			
FINISH		DRN BY	DATE
RACK NICKEL		BOONE	7.12.94
		APPD	SCALE
		LN	1.5X
TOLERANCES	INCH [MM]	CODE	DWG NO.
DECIMAL	± .010 [± 0.25]	C/M	534-538
ANGULAR	± 1°		
UNLESS OTHERWISE SPECIFIED			

7.22.97 CHANGE AS PER ECR 97-030 A

DATE	DESCRIPTION	REV.