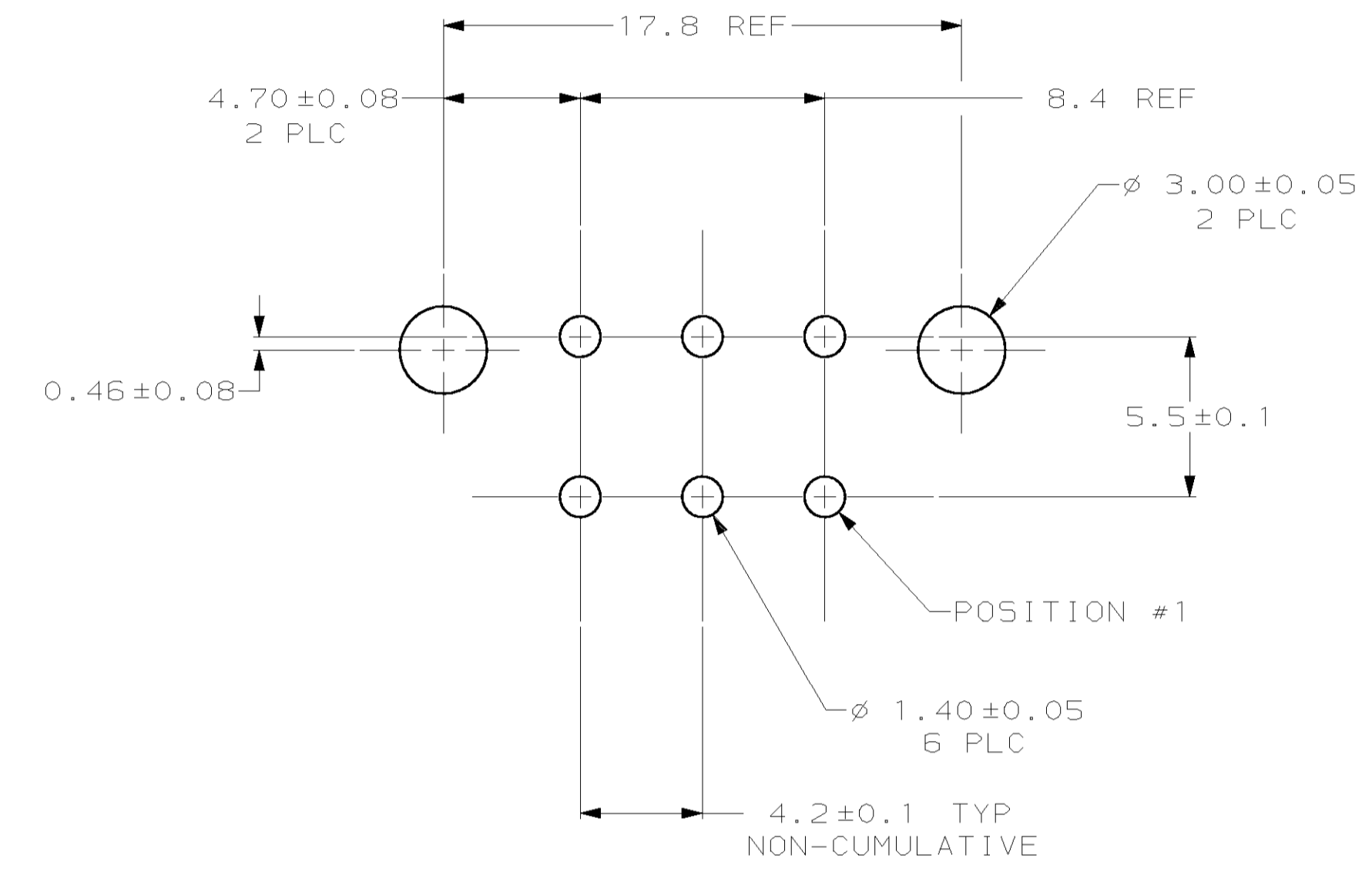
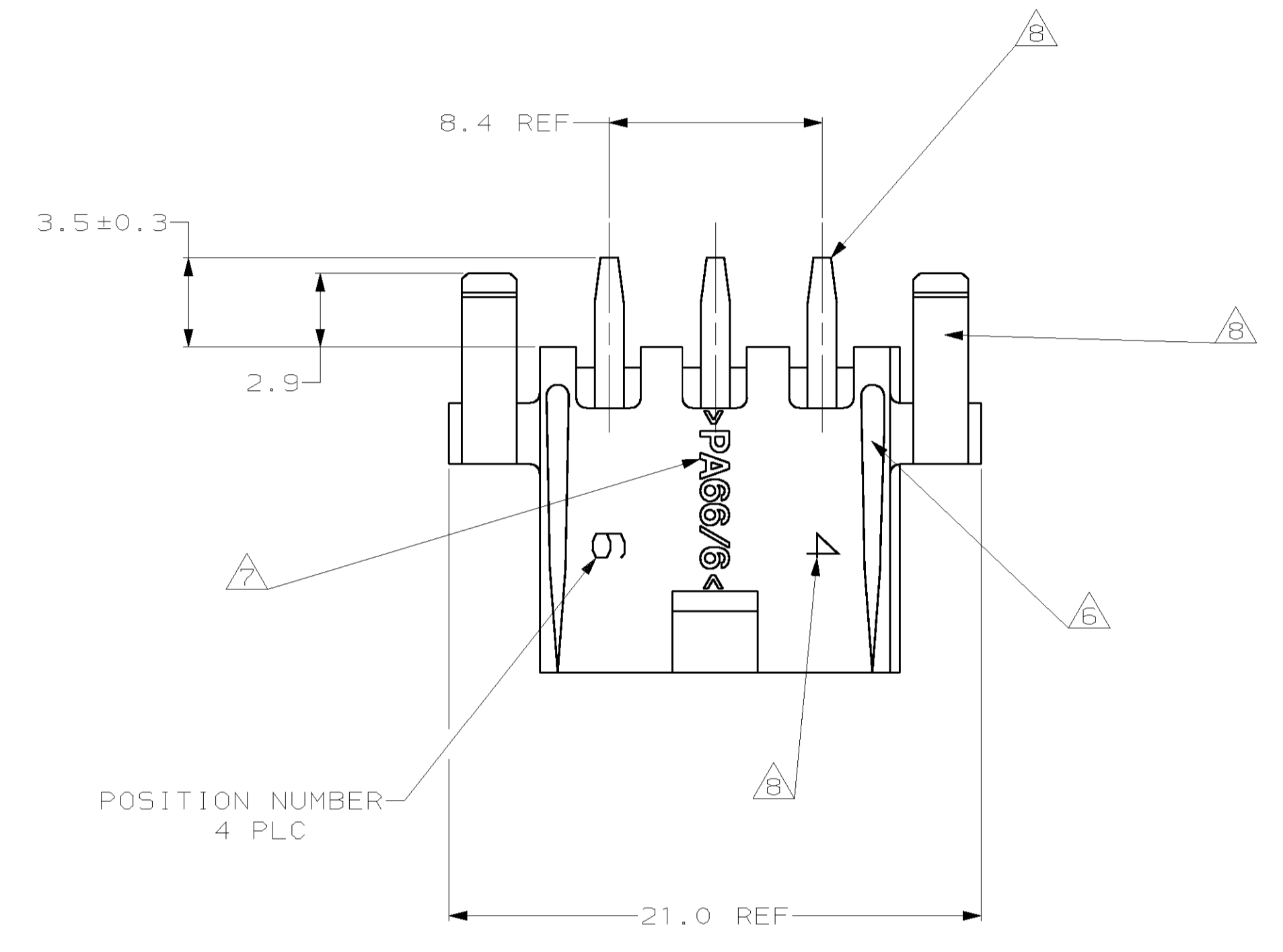
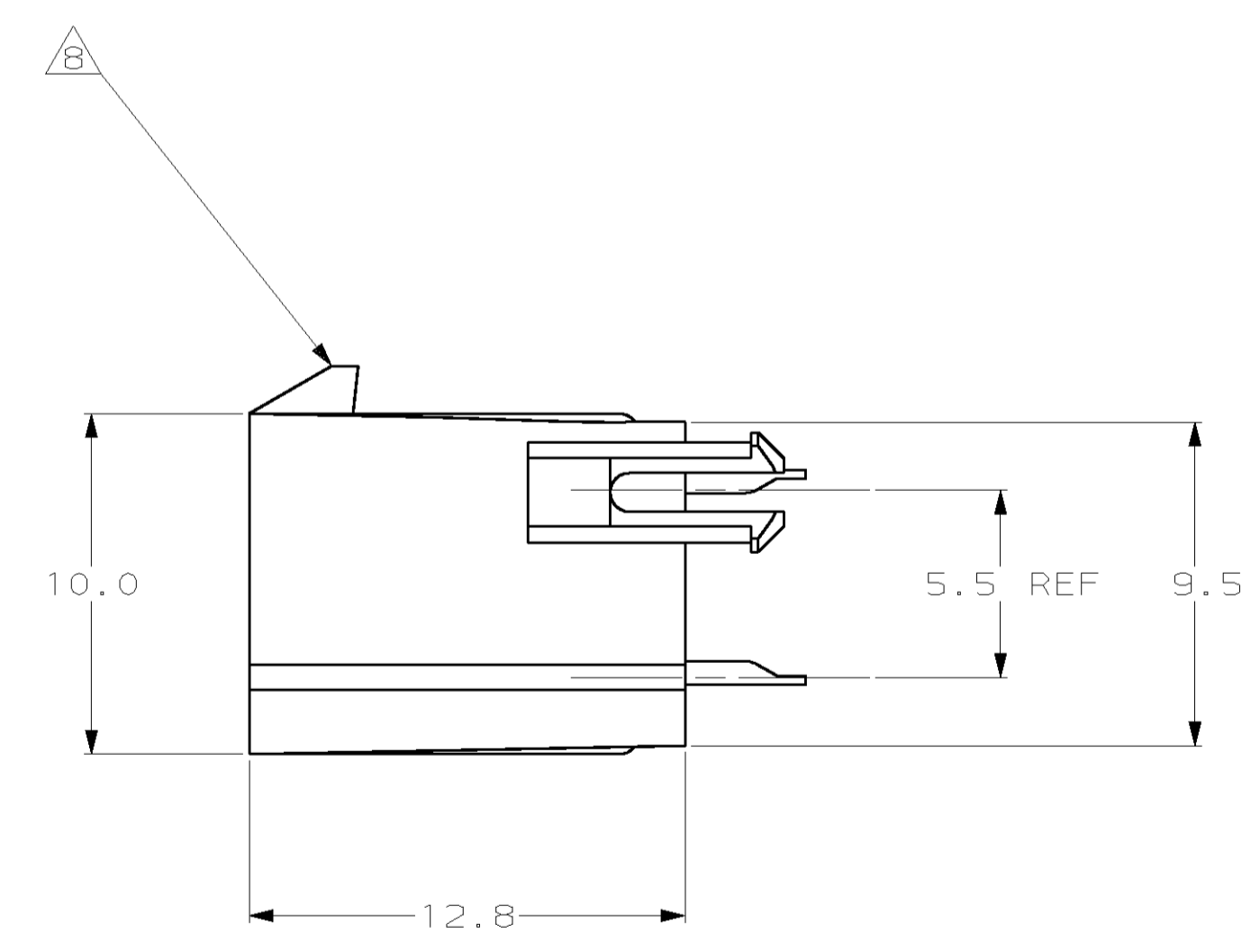
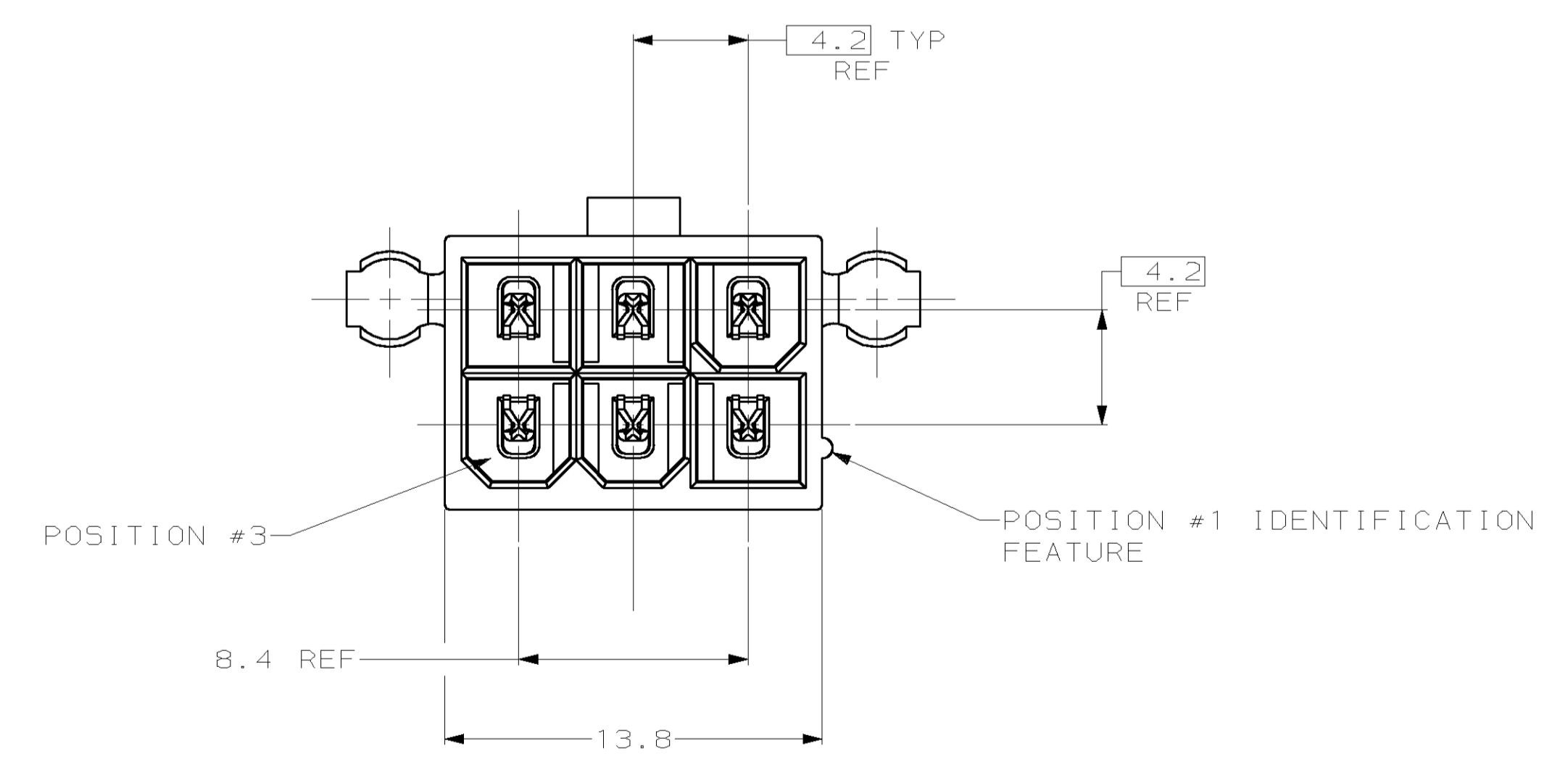


LOC	DIST	REVISIONS			
F	CHR	DESCRIPTION	DATE	OWN	APVD
C		REV PER EC 051C-0041-99	15-NOV-99	JCB	WCC

- ⚠ MATERIAL: HOUSING - NYLON, UL94V-0 (COLOR - NATURAL, COLOR OF PARTS MAY VARY). CONTACTS - 0.25 THK COPPER ALLOY.
- ⚠ CONTACT FINISH: 0.003 MIN THK TIN-LEAD OVER 0.00127 MIN THK NICKEL OVER ENTIRE CONTACT.
- ⚠ CONTACT FINISH: 0.00076 MIN THK GOLD PLATE ON PIN MATING SURFACE, 0.003 MIN THK TIN-LEAD PLATE ON SOLDER TAIL, ALL OVER 0.00127 MIN THK NICKEL BASE PLATE.
- 4. SOLDER TAIL MEETS AMP SOLDERABILITY SPECIFICATION 109-11-2.
- 5. MATES WITH SIMILARLY PLATED AMP-DUAC™ POWER CONNECTOR RECEPTACLE HOUSINGS/SOCKET CONTACTS.
- ⚠ RIBS ON FOUR CORNERS OPTIONAL.
- ⚠ AMP LOGO AND MATERIAL ID MAY BE LOCATED ON EITHER LONG SIDE OF PART.
- ⚠ SIZE, SHAPE OR STYLE OF THIS FEATURE MAY VARY.



RECOMMENDED MOUNTING HOLE PATTERN FOR 1.78 MAX THICK P.C. BOARD COMPONENT SIDE SHOWN



1	3	1	1	794467-2
1	2	1	1	794467-1
MATERIAL	FINISH	MATERIAL	COLOR	PART NO
CONTACT		HOUSING		
THIS DRAWING IS A CONTROLLED DOCUMENT.		DWN R. VESTAL 6-08-98 CHK R. SWING 6-08-98 CASH 6-08-98 NAME AMP Incorporated Harrisburg, PA 17105-3608		
DIMENSIONS: mm		PRODUCT SPEC 108-1699 APPLICATION SPEC ASSEMBLY, HEADER, VERTICAL, 6 POSITION, W/PEGS, W/DRAIN HOLES, 94V-0, AMP-DUAC™ POWER CONNECTOR		
0 PLC ± 1 PLC ±0.2 2 PLC ±0.13 3 PLC ± 4 PLC ± ANGLES ± 40°/30°		SIZE CAGE CODE DRAWING NO WEIGHT - A1 00779 C-794467 RESTRICTED TO		
MATERIAL SEE TABLE		FINISH SEE TABLE		
CUSTOMER DRAWING		SCALE 5:1 SHEET 1 OF 1 REV C		

