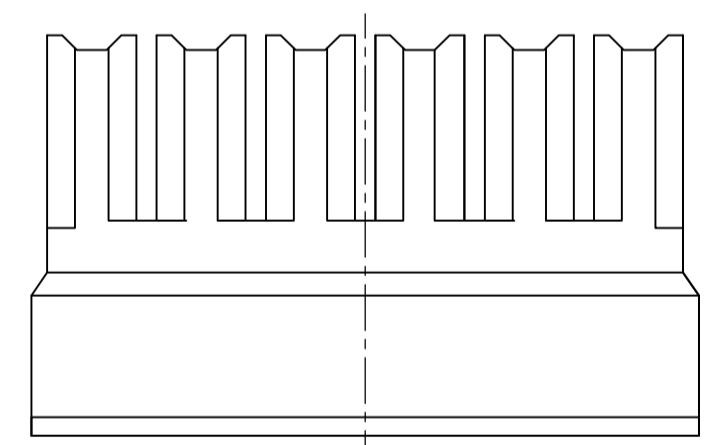
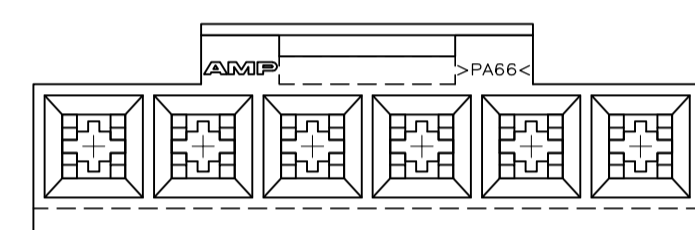
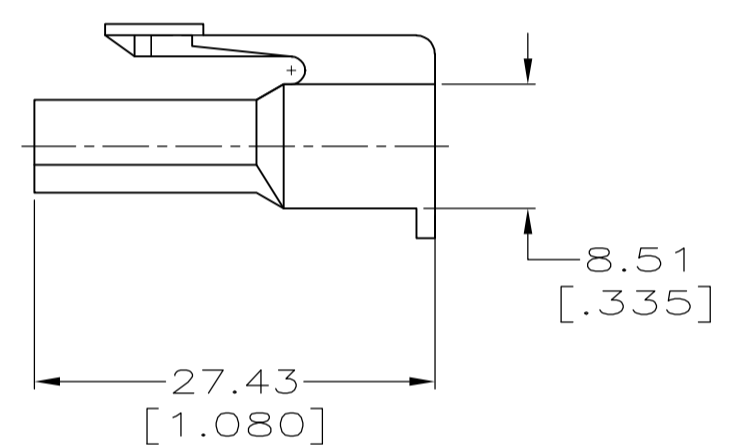
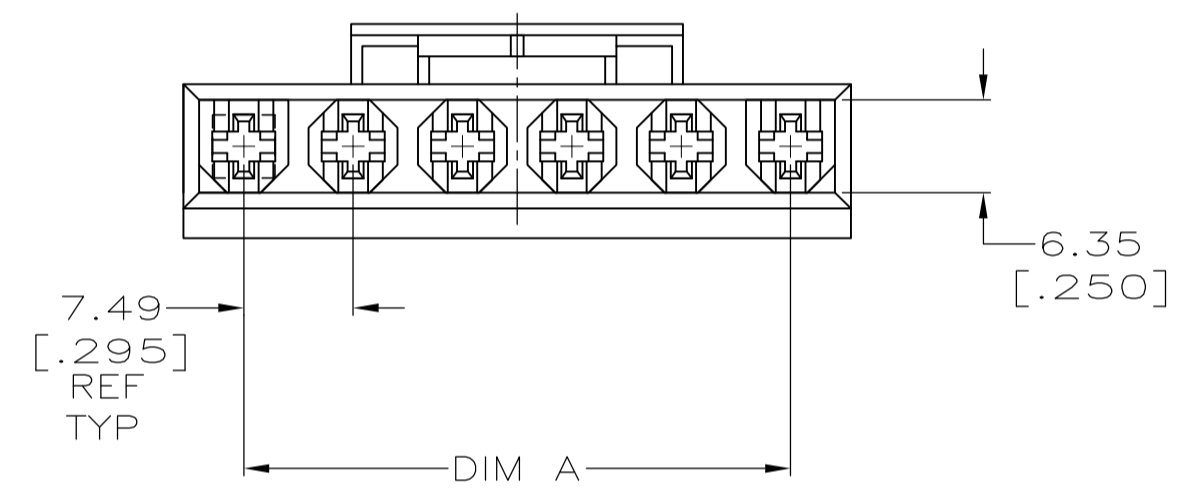
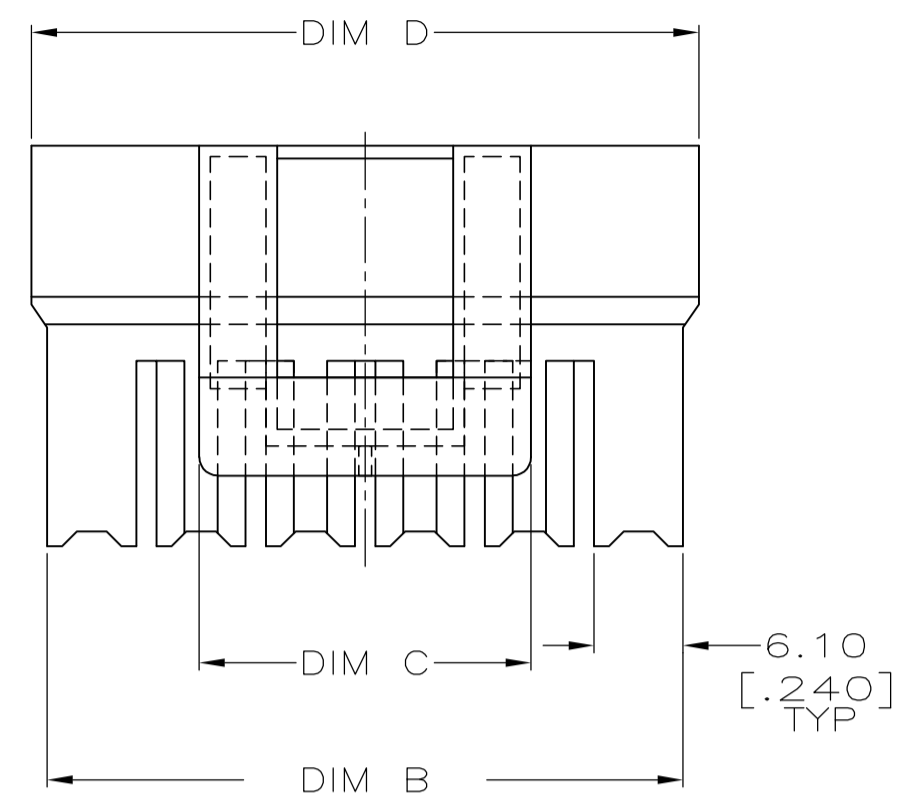


THIS DRAWING IS UNPUBLISHED. RELEASED FOR PUBLICATION .19
 © COPYRIGHT 19 BY AMP INCORPORATED. ALL RIGHTS RESERVED.

LOC		DIST		REVISIONS			
P	LTR	DESCRIPTION		DATE	DWN	APVD	
	B	REV PER OG3A-0171-01		06MAR01	JR	DD	
	B1	REVISED PER ECO-09-024606		30OCT09	KK	AEG	



- 1 PART ACCEPTS 3.18[.125] RECEPTACLE CONTACT PART NUMBER 1217039-1.
- 2 TWO POSITION PLUG WILL HAVE (2) SIX SIDED PLUGS, EACH ADDITIONAL POSITION WILL ADD AN EIGHT SIDED PLUG BETWEEN THE (2) OUTSIDE PLUGS.
- 3 PRELIMINARY - NOT FOR PRODUCTION
- 4 OBSOLETE PARTS: OBSOLETE CIS STREAMLINING PER D.RENAUD/D.SINISI

	521189-8	68.20[2.685]	22.73[.895]	66.04[2.600]	59.94[2.360]	9	3 521190-8
	521189-7	60.70[2.390]	22.73[.895]	58.55[2.305]	52.45[2.065]	8	3 521190-7
OBSOLETE	521189-6	53.21[2.095]	22.73[.895]	51.05[2.010]	44.96[1.770]	7	521190-6
	521189-5	45.72[1.800]	22.73[.895]	43.56[1.715]	37.46[1.475]	6	521190-5
	521189-4	38.23[1.505]	22.73[.895]	36.07[1.420]	29.97[1.180]	5	521190-4
OBSOLETE	521189-3	30.73[1.210]	22.73[.895]	28.58[1.125]	22.48[.885]	4	521190-3
	521189-2	23.24[.915]	15.75[.620]	21.08[.830]	14.99[.590]	3	521190-2
OBSOLETE	521189-1	15.75[.620]	15.75[.620]	13.59[.535]	7.49[.295]	2	521190-1
	MATES WITH PART NO	DIMENSION D	DIMENSION C	DIMENSION B	DIMENSION A	NO OF POSITIONS	PART NUMBER

THIS DRAWING IS A CONTROLLED DOCUMENT.

DIMENSIONS: mm [INCHES]	TOLERANCES UNLESS OTHERWISE SPECIFIED:	DWN PHILLIP M. FORTNEY 14OCT98	CHK JEFF R. RUTH 14OCT98	APVD DONALD DECKER 14OCT98	NAME
	0 PLC ±-	AMP Incorporated Harrisburg, PA 17105-3608			PLUG, 3.18 [.125] BLADE
	1 PLC ±-	SIZE A2	CAGE CODE 00779	DRAWING NO C- 521190	
	2 PLC ±0.25 [.010]	CUSTOMER DRAWING			RESTRICTED TO
	3 PLC ±-	SCALE 2:1	SHEET 1 OF 1	REV B1	
	4 PLC ±-				
	ANGLES ±-				
MATERIAL 6/6 NYLON	FINISH COLOR-BLACK				