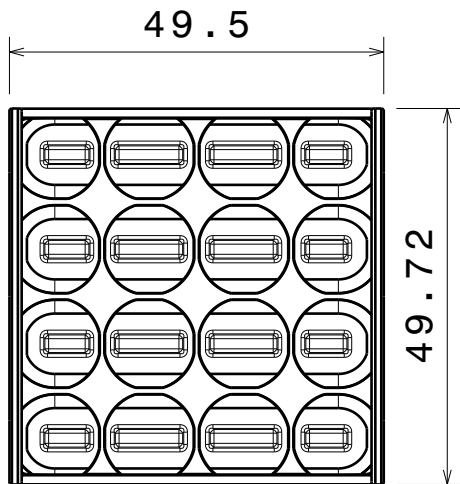


D

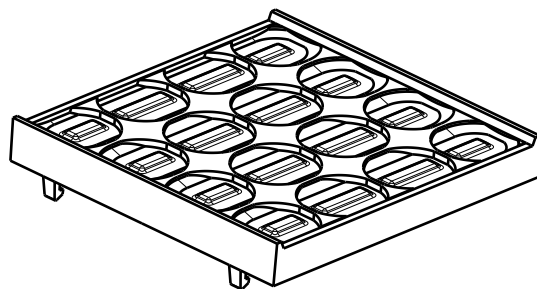
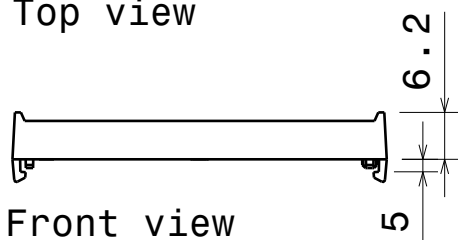
C

B

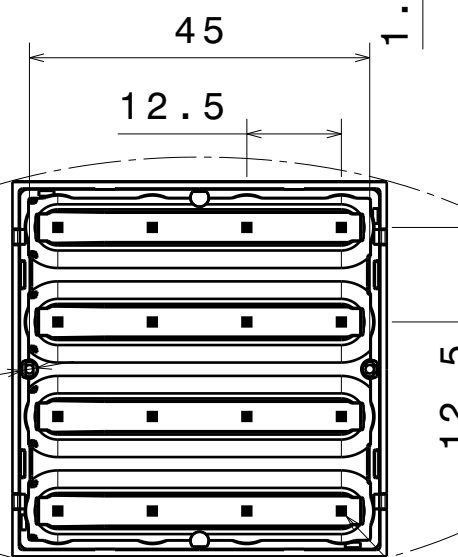
A



Top view

Isometric view
Scale: 1:1

Front view



Bottom view

0-beam direction

LED position

Note:

Countersunk screws required
for PCB attachment.

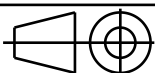
INDEX	PART NO	DESCRIPTION	MATERIAL	COLOUR
1	C14538	IDA16-HLD-16	PC	gray
2	C14707	IDA16-0	PMMA	

Tolerances if not otherwise shown
According to DIN ISO 2768-1
Linear measures:
up to 30mm class M, otherwise class C
According to DIN ISO 2768-2
Form and position: class L

LEDiL

Ledil Oy
Salorankatu 10
FIN 24240 SALO
Finland

THIRD ANGLE PROJECTION:



DRAWING TITLE

CP14877_IDA16-0

This drawing is the property
of LEDiL Oy. It may not be
reproduced, copied or
communicated without a written
agreement with LEDiL Oy.

SIZE PART NUMBER

A4

CP14877

SCALE	1:1	WEIGHT	8,0 g	SHEET	1/1
-------	-----	--------	-------	-------	-----

D

A