

# Product Information

## LIN Transceiver with Integrated Voltage Regulator

### TH8062

The TH8062 is a System Basis IC (SBC) for LIN slave applications.

It consists of a low drop voltage regulator 5V/70mA and a LIN BUS Transceiver. The LIN-Transceiver is suitable for LIN-BUS systems that conform to "LIN-Protocol Specification" Rev.1.3, 2.0 and SAE J2602. The IC can be used furthermore in ISO9141 systems.



## Features

### LIN Transceiver

- Compatible to LIN Spec. 1.3, 2.0 and SAE J2602
- Baud rate up to 20 kBaud
- Slew rate control for best EME behavior
- Low slew mode for optimized SAE J2602 transmission
- High EMI immunity
- High signal symmetry for using in RC – based slave nodes
- Wake-up via LIN BUS traffic

### Voltage Regulator

- Linear low drop voltage regulator 5V/70mA
- Operating voltage  $V_S = 6 \dots 18 \text{ V}$
- Low standby current consumption of typ 15 $\mu\text{A}$  (max 30  $\mu\text{A}$ ) in sleep mode
- Output current limitation
- Over-temperature shutdown

### Other Functions

- Reset output (8ms/4.65V, 4ms, 15ms and 30ms as option)
- Automotive Temperature Range of  $-40^\circ\text{C}$  to  $125^\circ\text{C}$
- CMOS compatible interface to microcontroller
- Small SOIC8 package, fully pin and function compatible to TH8061
- Available as lead-free and RoHS compliant

Automotive ICs

RF & RFID

Intelligent Drivers and Actuators

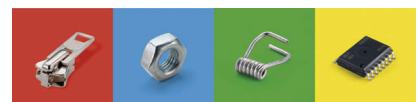
Bus ICs

Hall ICs

CMOS Imaging

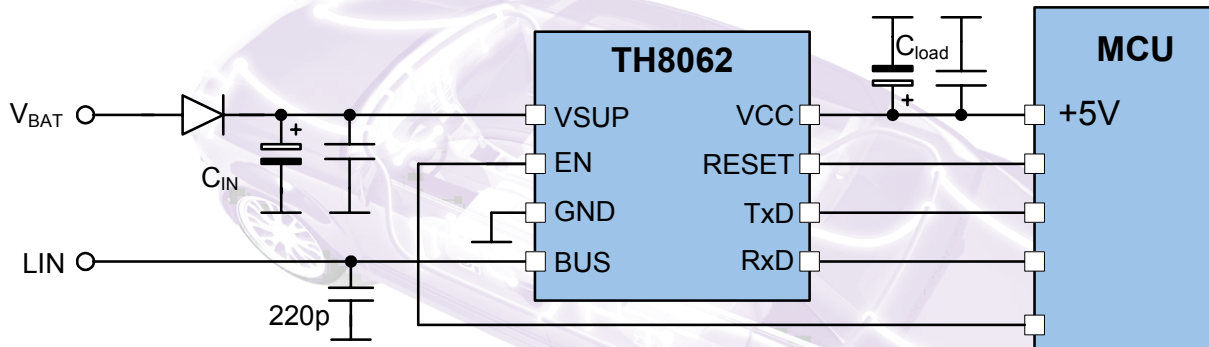
Silicon MEMS

IR Temperature



Small things make a big difference.

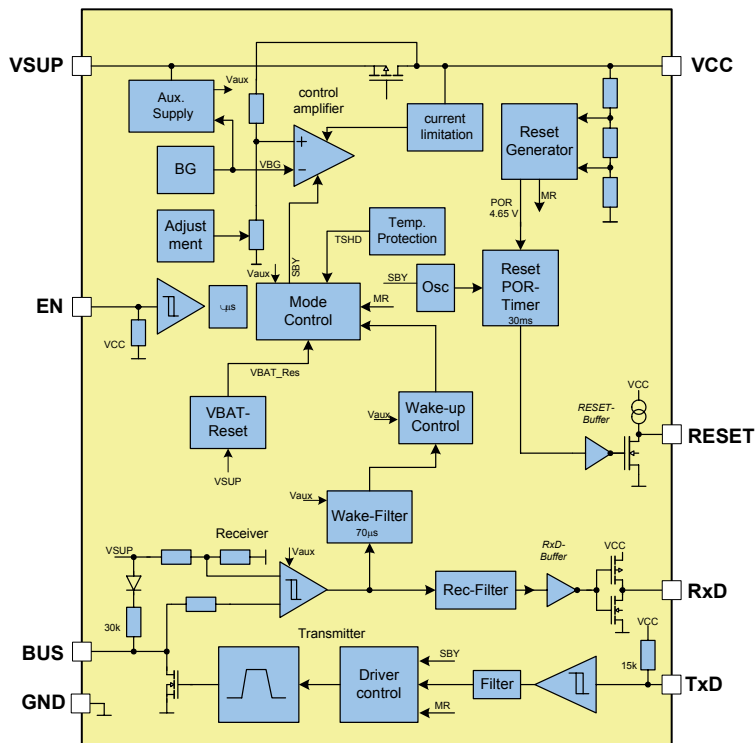
## Application Circuitry



## Applications

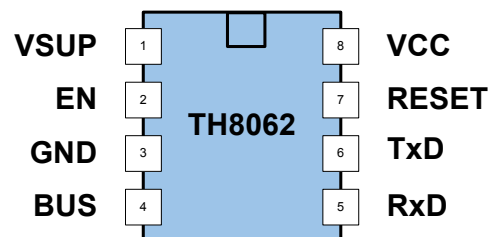
- All Applications that require a LIN Interface
- Well suited for development of LIN slave ECU modules
- Intelligent Actuator, sensor and switch implementations for Door, Seat, Dashboard, Roof and other submodules

## Block Diagram



## Pinout

SOIC8, fused leadframe



### Disclaimer:

Devices sold by Melexis are covered by the warranty and patent indemnification provisions appearing in its Term of Sale. Melexis makes no warranty, express, statutory, implied, or by description regarding the information set forth herein or regarding the freedom of the described devices from patent infringement. Melexis reserves the right to change specifications and prices at any time and without notice. Therefore, prior to designing this product into a system, it is necessary to check with Melexis for current information. This product is intended for use in normal commercial applications. Applications requiring extended temperature range, unusual environmental requirements, or high reliability applications, such as military, medical life-support or life-sustaining equipment are specifically not recommended without additional processing by Melexis for each application. The information furnished by Melexis is believed to be correct and accurate. However, Melexis shall not be liable to recipient or any third party for any damages, including but not limited to personal injury, property damage, loss of profits, loss of use, interrupt of business or indirect, special incidental or consequential damages, of any kind, in connection with or arising out of the furnishing, performance or use of the technical data herein. No obligation or liability to recipient or any third party shall arise or flow out of Melexis' rendering of technical or other services. © 2006 Melexis NV. All rights reserved.

Email Europe and rest of the world:  
sales\_europe@melexis.com

Email USA :  
sales\_usa@melexis.com

Email Asia:  
sales\_asia@melexis.com

For additional information go to our website at:

[www.melexis.com](http://www.melexis.com)

**Melexis**  
Microelectronic Integrated Systems