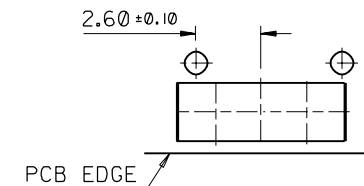
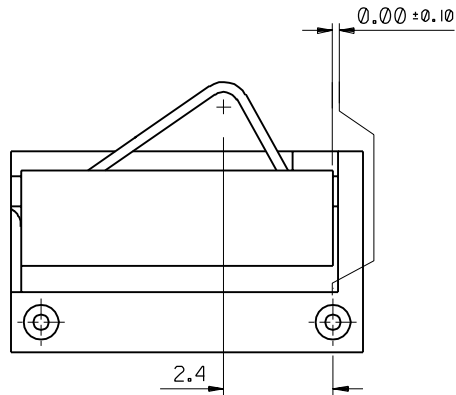
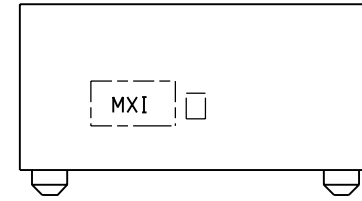
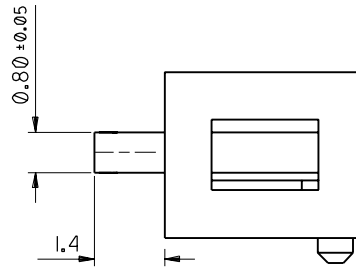
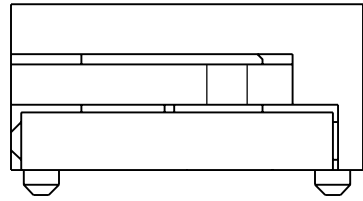
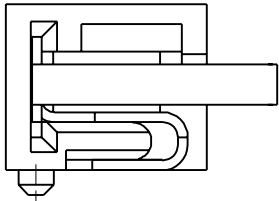


PART NO. 90868-0003
 DWG. NO. SDA-90868E



RECOMMENDED PCB THICKNESS: 1.2
 RECOMMENDED PCB LAYOUT

NOTES:

- FOR ALL UNSTATED DIMENSIONS SEE SHEET 1.
- MATERIALS:
 HOUSING: 30% G.F. PA 46, COLOUR BLACK.
 CONTACT: 0.20 REF. BERYLLIUM COPPER.
- PLATING: NICKEL 1.27µm MIN. UNDERCOAT OVERALL.
 GOLD FLASH 0.10µm MIN. OVER PALLADIUM-NICKEL 1.0µm MIN. IN CONTACT AREA.
- PACKAGING: TAPE AND REEL (EMBOSSSED TAPE), SEE SDA-90868-0001.
- SEE PRODUCT SPECIFICATION PS-99020-0041.
- MXI AND CAVITY I.D. RAISED IN THESE AREAS MAX 0.1 TEXT HEIGHT MAX 1.5

FOR PREVIOUS DRAWING ISSUES SEE MRI.

REV	DESCRIPTION	MAJOR	QUALITY SYMBOLS
		CRITICAL	
EC NO.	DESCRIPTION		
D	SEE SHEET 1		
CHK:			
APPR:			

GENERAL TOLERANCES: (UNLESS SPECIFIED)	
mm	INCH
4 PLACES ±0.	±.
3 PLACES ±0.	±.
2 PLACES ±0.10	±.
1 PLACE ±0.20	±.
ANGULAR: ± 1°	
DRAFT WHERE APPLICABLE MUST REMAIN WITHIN DIMENSIONS	

SCALE 10:1	DESIGN UNITS <input checked="" type="checkbox"/> mm <input type="checkbox"/> INCH
DRAWN BY & DATE PMCAID 26.05.99	
CHECKED BY & DATE CCONLON 18.08.99	
APPROVED BY & DATE MWILHITE 18.08.99	
CAD FILENAME	

DIMENSIONS: <input type="checkbox"/> mm <input type="checkbox"/> INCH <input checked="" type="checkbox"/> mm ONLY		SHT	REV
THIRD ANGLE PROJECTION			
TITLE: ONE CIRCUIT BATTERY CONNECTOR			
MATERIAL NO. 90868-0003		DRAWING NO. SDA-90868E	SHEET NO. 20F
THIS DRAWING CONTAINS INFORMATION THAT IS PROPRIETARY TO MOLEX INCORPORATED AND SHOULD NOT BE USED WITHOUT WRITTEN PERMISSION.			SIZE B