

# LUMAWISE ENDURANCE N CONTROL BASE, SLEEVE AND COVER

TE Connectivity's (TE) ANSI 136.41 compliant 76 mm and 81 mm diameter photo control base assemblies with sleeves and covers in varying heights, provide a total power and signal interface between the photo control and dimming receptacle. This interface can be used in applications such as LED outdoor roadway, street and area lighting fixtures. The base assembly solution includes power twist lock terminals, spring leaf signal terminals and a separately packaged foam gasket. When coupled with the 5-VA rated cover or in combination with side or topside aperture opening colored sleeves, the fully assembled photo control achieves an IP66 seal rating.



## Applications

- Outdoor roadway and street lighting
- Parking lots
- Pathway and trails
- Parks

## Electrical

- Positions: 5 and 7

## Mechanical

- Operating Temperature Range: -40°C to +105° C

## Specifications

- Product Specification: [108-32125](#)
- Application Specification: [114-32159](#)

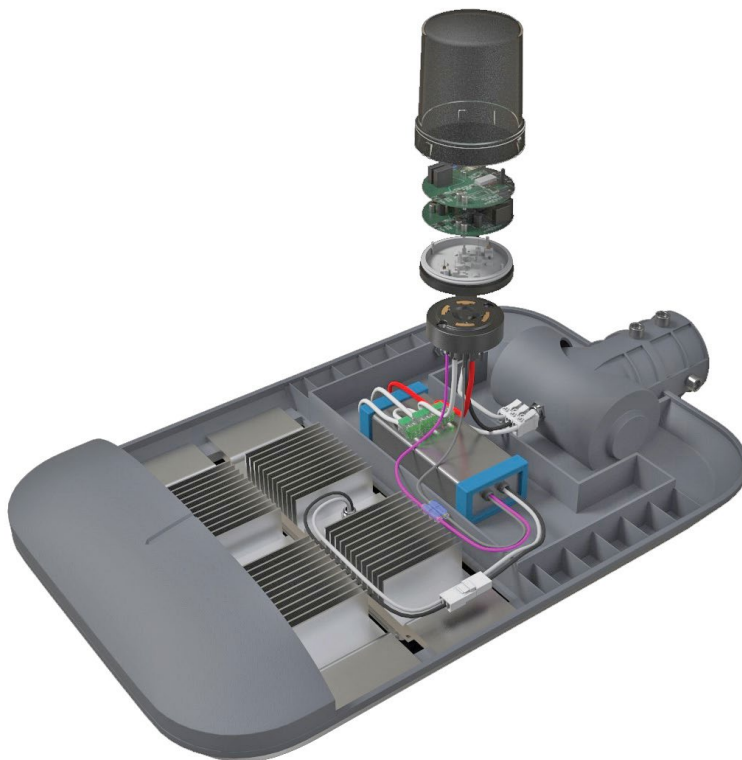
## Materials

- Contact Plating: Tin plated power contacts  
Gold plated signal contacts
- Housing Color: Base (black)  
Cover (clear and transparent)
- Housing Material: Base (UL 94 V-0)  
Cover (Polycarbonate)  
Sleeve (PBT)

## Benefits

- Achieve long term reliability using TE's proven power and signal interface
- Translucent covers allow transmission of daylight to the light sensing device
- Achieve protection against dust and heavy jet spray with an IP66 rated solution
- Meets the flammability rating with a UL 94 5-VA rated cover
- Sleeves are designed with side or topside aperture openings to accommodate directional light sensing devices
- Colored sleeves are available that designate voltage rating or in support of customer specific requests

# LUMAWISE ENDURANCE N CONTROL BASE, SLEEVE AND COVER



## Product Selection Information

## 76 mm Base, Sleeve and Cover

	Part Number	Description	Height	Color
	<a href="#">2306128-1</a>	Cover, Light Controller	50 mm	Translucent
	<a href="#">1-2306128-1</a>	Cover, Light Controller	50 mm	Clear
	<a href="#">2311664-1</a>	Cover, Light Controller	75 mm	Translucent
	<a href="#">1-2311664-1</a>	Cover, Light Controller	75 mm	Clear
	<a href="#">2-2311664-1</a>	Cover, Light Controller w/Flat Surface**	75 mm	Translucent
	<a href="#">2213748-1</a>	Cover, Light Controller	98 mm	Translucent
	<a href="#">1-2213748-1</a>	Cover, Light Controller	98 mm	Clear
	<a href="#">2306129-1</a>	Cover, Light Controller	130 mm	Translucent
<a href="#">1-2306129-1</a>	Cover, Light Controller	130 mm	Clear	
	<a href="#">2306132-1</a>	Sleeve, Controller - Side Aperture	50 mm	Black
	<a href="#">1-2306132-1</a>	Sleeve, Controller - Topside Aperture	50 mm	Black
	<a href="#">2213805-1</a>	Sleeve, Controller - Topside Aperture	98 mm	Black
	<a href="#">1-2213805-1</a>	Sleeve, Controller - Side Aperture	98 mm	Black
	<a href="#">2-2213805-0</a>	Sleeve, Controller	98 mm	Blue
	<a href="#">2306133-1</a>	Sleeve, Controller - Side Aperture	130 mm	Black
	<a href="#">1-2306133-1</a>	Sleeve, Controller - Topside Aperture	130 mm	Black
	<a href="#">1-2213871-1</a>	Light Controller Base Assembly - 5 Position*		
	<a href="#">2213730-1</a>	Light Controller Base Assembly - 7 Position		
	<a href="#">2213871-1</a>	Light Controller Base Assembly - 7 Position*		

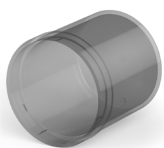
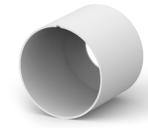

\*Accepts sleeves

\*\*Flat area provides a surface for mounting a communication cable or antenna

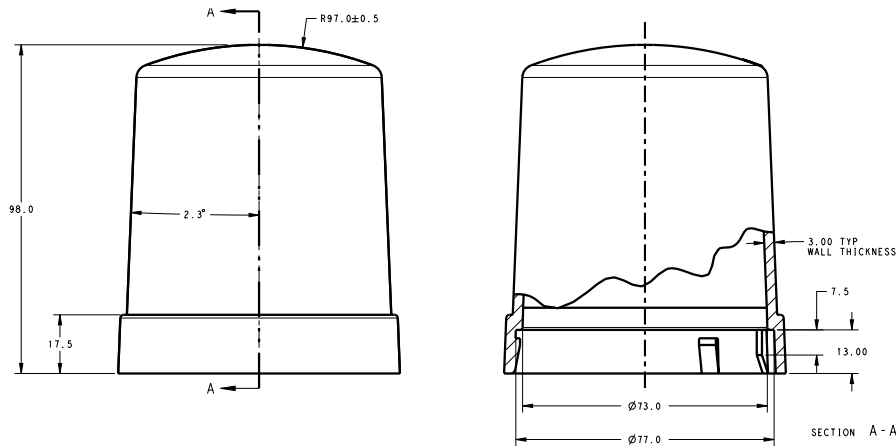


Product Selection Information

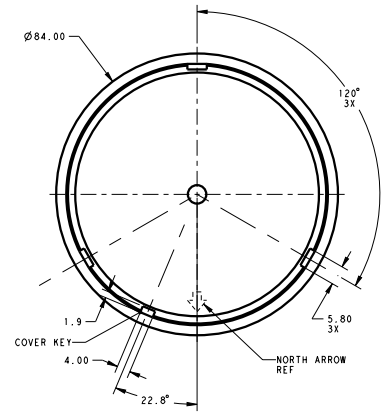
81 mm Base, Sleeve and Cover

	Part Number	Description	Height	Color
	<a href="#">2315539-1</a>	Cover, Light Controller	62 mm	Translucent
	<a href="#">1-2315539-1</a>	Cover, Light Controller	62 mm	Clear
	<a href="#">2306130-1</a>	Cover, Light Controller	98 mm	Translucent
	<a href="#">1-2306130-1</a>	Cover, Light Controller	98 mm	Clear
	<a href="#">2213996-1</a>	Sleeve, Controller - Top Aperture	98 mm	Black
	<a href="#">1-2213996-1</a>	Sleeve, Controller - Side Aperture	98 mm	Black
	<a href="#">1-2213871-2</a>	Light Controller Base Assembly - 5 Position		
	<a href="#">2213871-2</a>	Light Controller Base Assembly - 7 Position		

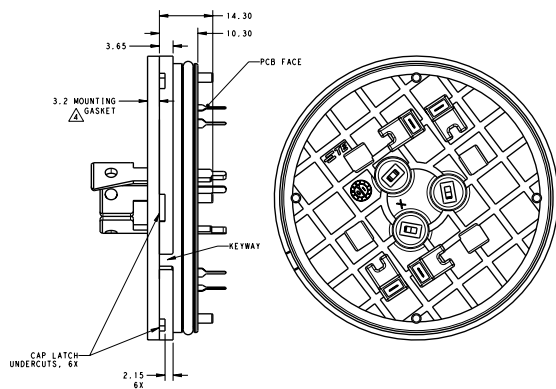
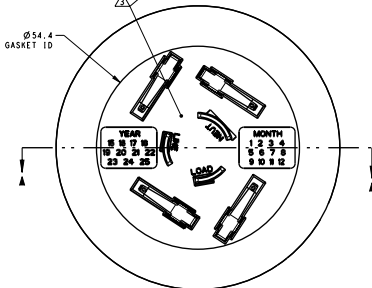
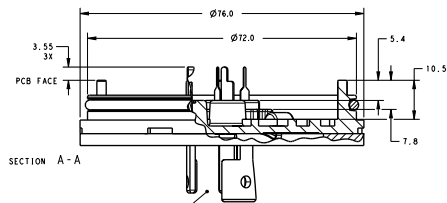
Dimensions



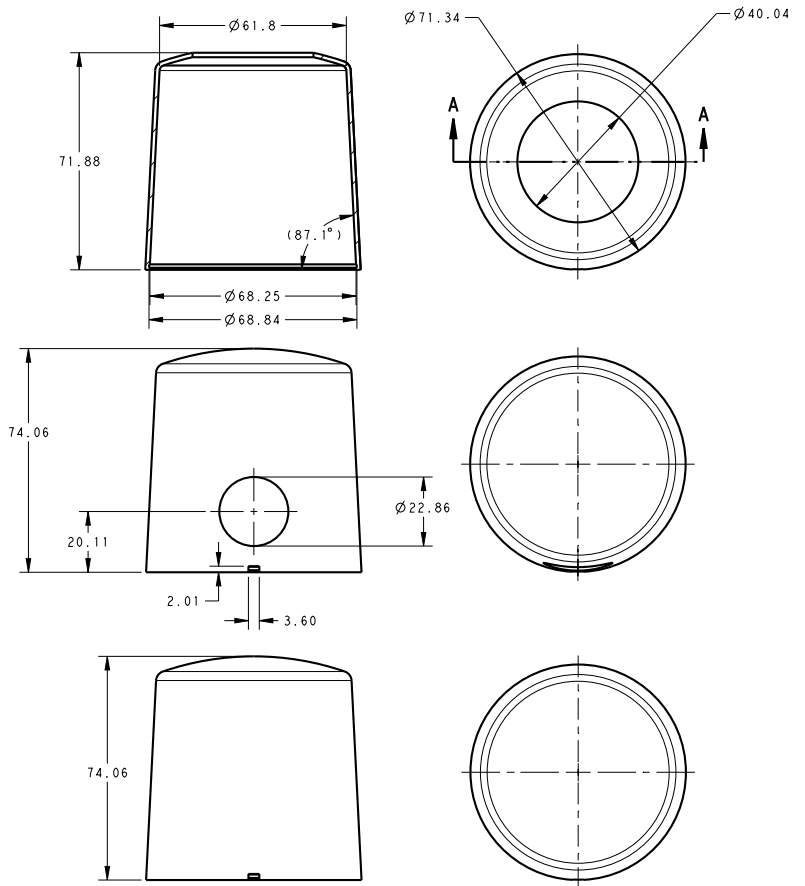
Cover Part Number 2213748-1



Base Part Number 2213730-1



Sleeve Part Number 1-2213805-1



te.com

© 2018 TE Connectivity. All Rights Reserved. LUMAWISE, TE, TE Connectivity, and the TE connectivity (logo) are trademarks of the TE Connectivity. Other logos, product and Company names mentioned herein may be trademarks of their respective owners.

While TE has made every reasonable effort to ensure the accuracy of the information in this brochure, TE does not guarantee that it is error-free, nor does TE make any other representation, warranty or guarantee that the information is accurate, correct, reliable or current. TE reserves the right to make any adjustments to the information contained herein at any time without notice. TE expressly disclaims all implied warranties regarding the information contained herein, including, but not limited to, any implied warranties of merchantability or fitness for a particular purpose. The dimensions in this catalog are for reference purposes only and are subject to change without notice. Specifications are subject to change without notice. Consult TE for the latest dimensions and design specifications.

1-1773879-1 JN 4/2018

USA: +1 (800) 522-6752  
 Canada: +1 (905) 475-6222  
 Mexico: +52 (0) 55-1106-0800  
 Latin/S. America: +54 (0) 11-4733-2200  
 Germany: +49 (0) 6251-133-1999  
 UK: +44 (0) 800-267666  
 France: +33 (0) 1-3420-8686  
 The Netherlands: +31 (0) 73-6246-999  
 China: +86 (0) 400-820-6015