

4

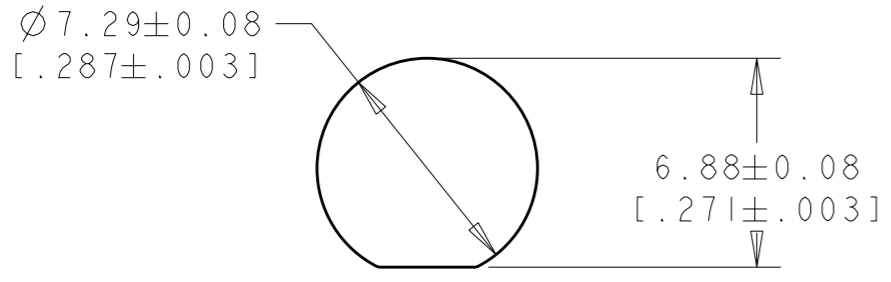
3

2

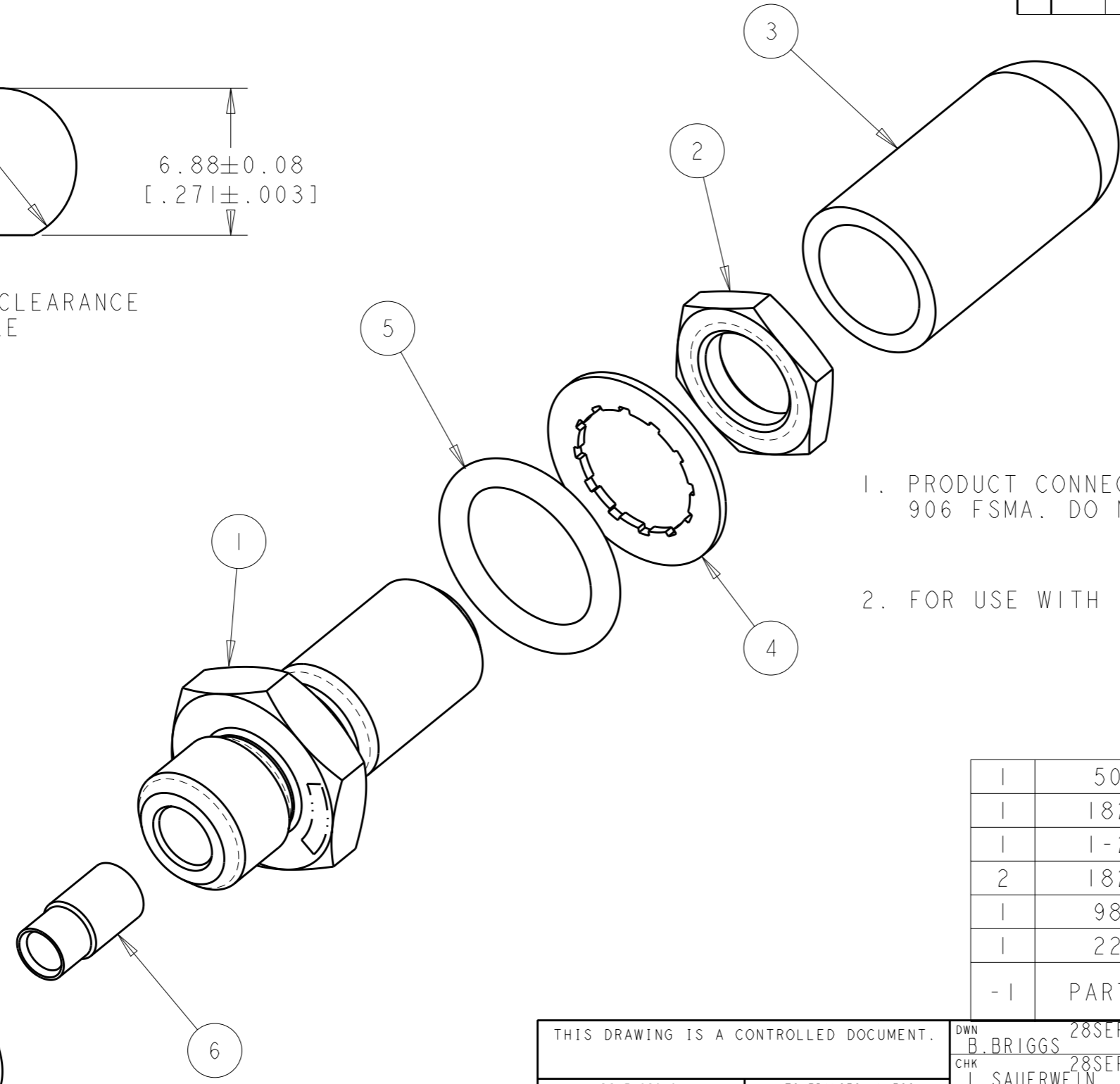
1

THIS DRAWING IS UNPUBLISHED. RELEASED FOR PUBLICATION 20
 © COPYRIGHT 20 BY - ALL RIGHTS RESERVED.

LOC	DIST	REVISIONS			
P	LTR	DESCRIPTION	DATE	DWN	APVD
CE	00	J	REVISED PER ECR 11-022976	13NOV2011	DLF LS



SUGGESTED CLEARANCE HOLE



1. PRODUCT CONNECTS 905 FSMA TO 905 FSMA OR 906 FSMA TO 906 FSMA. DO NOT CONNECT 905 TO 906.
2. FOR USE WITH 7.0[0.281] MAXIMUM PANEL THICKNESS.

QTY	PART NUMBER	DESCRIPTION	ITEM NO.
1	501047-1	ALIGNMENT SLEEVE, FULL	6
1	1828900-1	O RING SEAL	5
1	1-22145-3	LOCK WASHER	4
2	1828874-6	PROTECTIVE CAP	3
1	981155-4	JAM NUT	2
1	228053-2	COUPLING BUSHING, FSMA	1
-1	PART NUMBER	DESCRIPTION	ITEM NO.

THIS DRAWING IS A CONTROLLED DOCUMENT.		DWN B. BRIGGS 28SEP2005	TE Connectivity	
DIMENSIONS: mm [INCHES]		CHK L. SAUERWEIN 28SEP2005		
TOLERANCES UNLESS OTHERWISE SPECIFIED:		APVD S. BUCHTER 28SEP2005	NAME COUPLING BUSHING KIT, SEALED, FSMA	
0 PLC ±- 1 PLC ±- 2 PLC ±- 3 PLC ±- 4 PLC ±- ANGLES ±-		PRODUCT SPEC -	SIZE A3	
MATERIAL -		APPLICATION SPEC -	CAGE CODE 300779	DRAWING NO C-501050
FINISH -		WEIGHT -	RESTRICTED TO -	
CUSTOMER DRAWING			SCALE 4:1	SHEET OF REV J