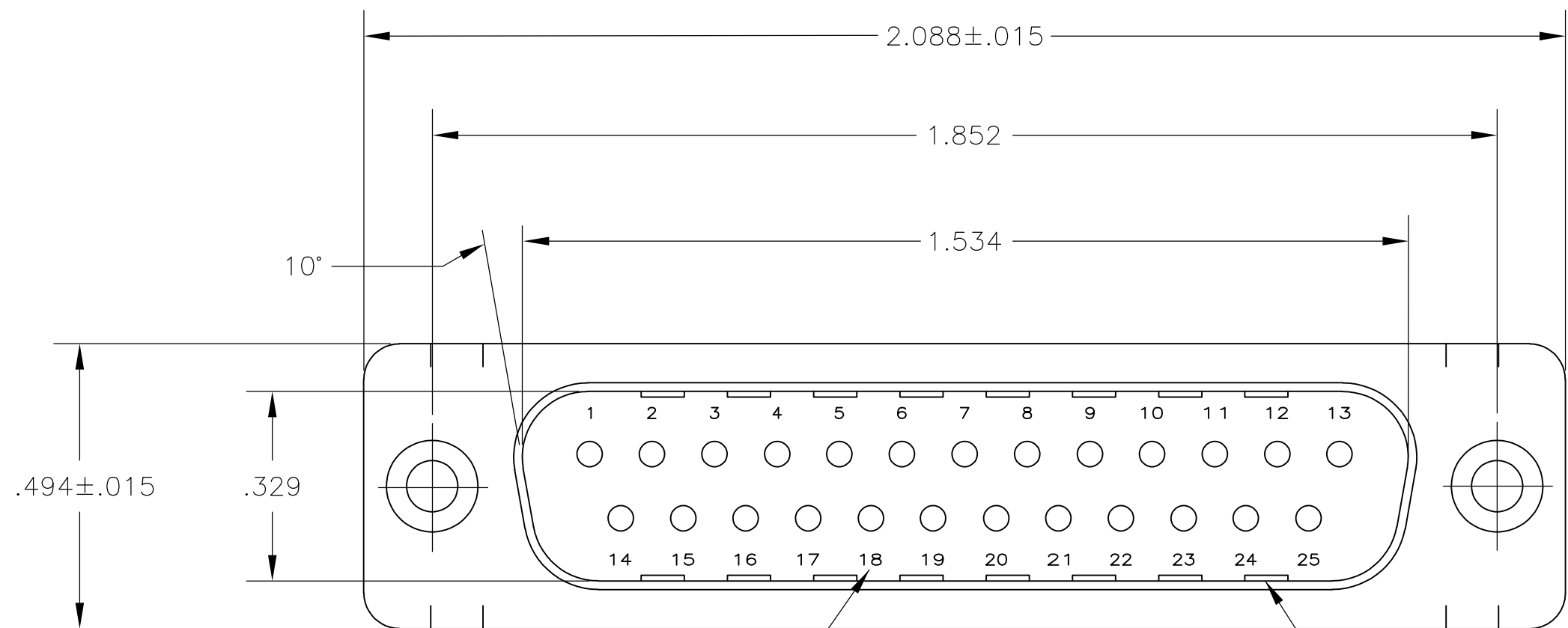


THIS DRAWING IS UNPUBLISHED. RELEASED FOR PUBLICATION
 © COPYRIGHT - By - ALL RIGHTS RESERVED.

LOC	DIST	REVISIONS					
GP	00	P	LTR	DESCRIPTION	DATE	DWN	APVD
		A		RELEASED PER ECO-11-002006	14APR2011	CJV	CWR



1. CONNECTOR ACCEPTS SIZE 20 DF PIN CONTACTS, RETENTION TINES ARE AN INTEGRAL PART OF INSERT.

2. MOLDED PARTS: FLAME RETARDANT 94V-0 RATED THERMOPLASTIC; COLOR: BLACK.

3. SHELLS & CLINCH NUTS: STEEL PER ASTM A109.

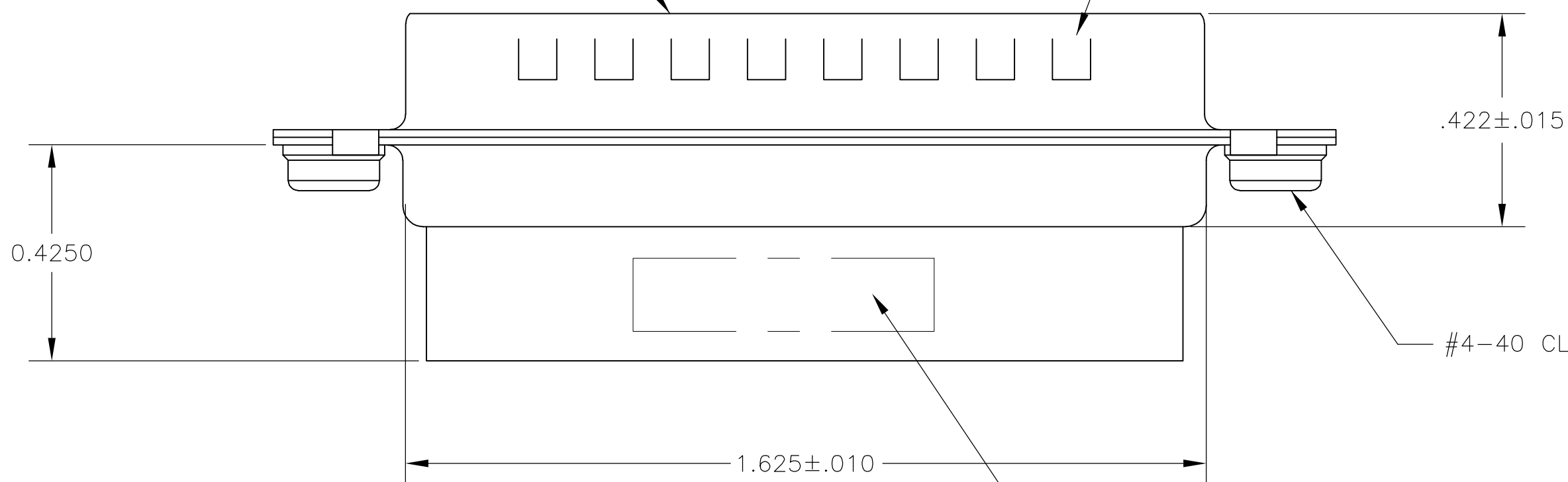
4. SHELL FINISH: .000200 MIN TIN PLATE OVER .000100 MIN COPPER UNDERPLATE.

5. CLINCH NUTS: CLEAR CHROMATE OVER ZINC.

RAISED CAVITY IDENTIFICATION

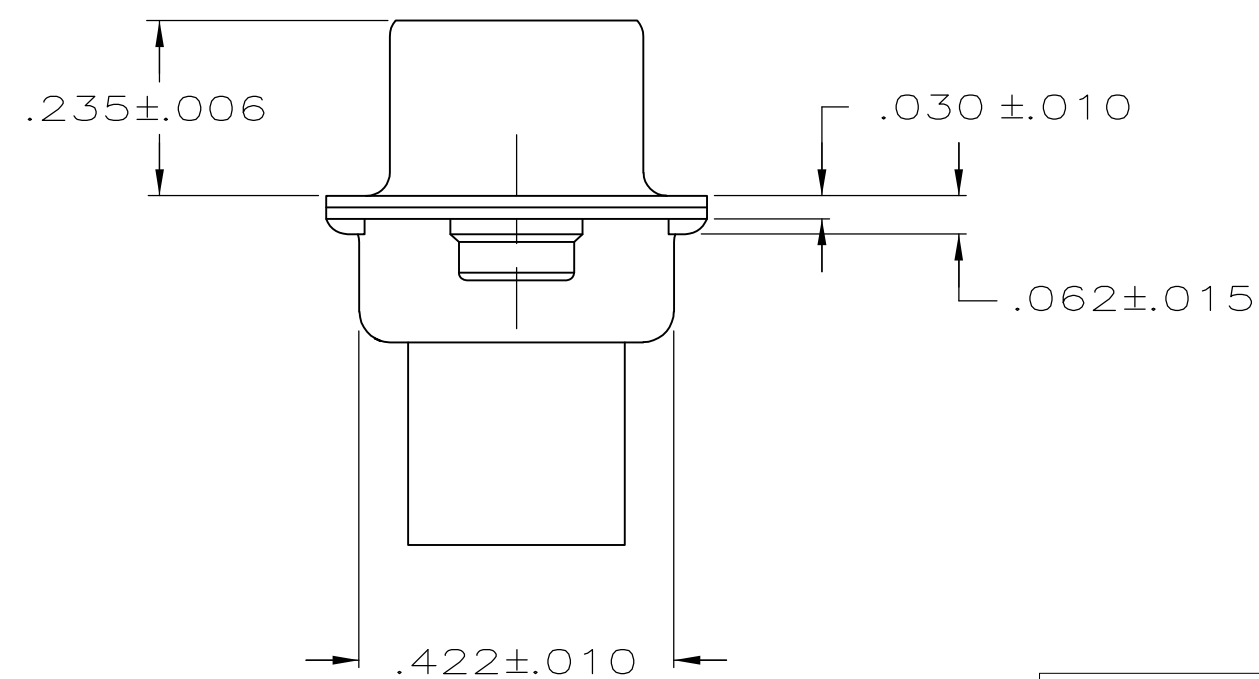
GROUNDING INDENTS

MATING FACE



#4-40 CLINCH NUT

MANUFACTURERS LOGO, PART NO & DATE CODE, MARKED IN AREA INDICATED, ON FAR SIDE



5745036-2
 PART NUMBER

THIS DRAWING IS A CONTROLLED DOCUMENT.		DWN	12-21-04		TE Connectivity																				
		CHK	12-21-04		NAME																				
		APVD	12-21-04		PRODUCT SPEC																				
		APVD			APPLICATION SPEC																				
DIMENSIONS: INCHES		TOLERANCES UNLESS OTHERWISE SPECIFIED:		108-40005		SIZE																			
<table border="1"> <tr><td>0 PLC</td><td>±</td><td>-</td></tr> <tr><td>1 PLC</td><td>±</td><td>-</td></tr> <tr><td>2 PLC</td><td>±</td><td>-</td></tr> <tr><td>3 PLC</td><td>±</td><td>.005</td></tr> <tr><td>4 PLC</td><td>±</td><td>-</td></tr> <tr><td>ANGLES</td><td>±</td><td>2°</td></tr> </table>		0 PLC	±	-	1 PLC	±	-	2 PLC	±	-	3 PLC	±	.005	4 PLC	±	-	ANGLES	±	2°	MATERIAL		114-40030		CAGE CODE	
0 PLC	±	-																							
1 PLC	±	-																							
2 PLC	±	-																							
3 PLC	±	.005																							
4 PLC	±	-																							
ANGLES	±	2°																							
		FINISH		WEIGHT		DRAWING NO																			
				-		RESTRICTED TO																			
				CUSTOMER DRAWING		SCALE 4:1 SHEET 1 of 1 REV A																			

5745036