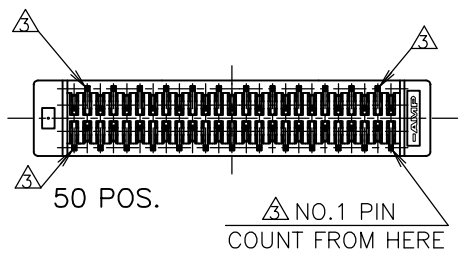
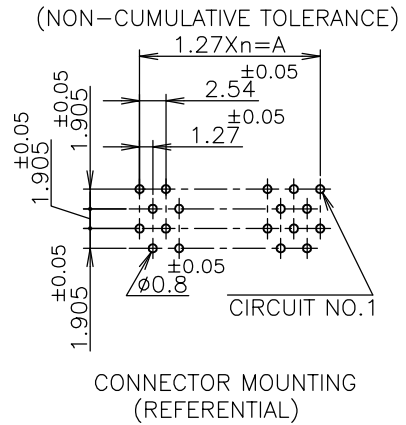
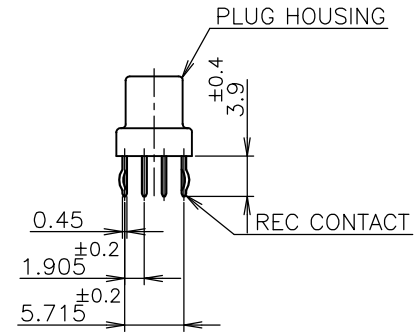
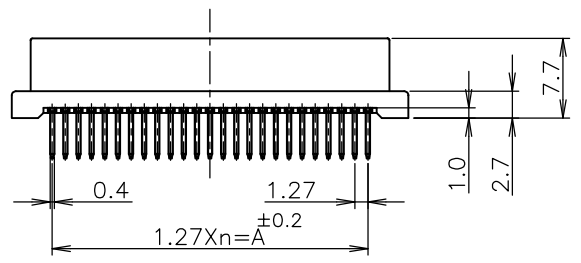
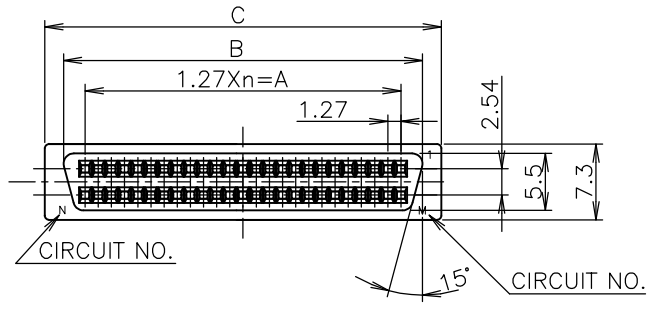


THIS DRAWING IS UNPUBLISHED. RELEASED FOR PUBLICATION JUL ,2004.
 © COPYRIGHT 2004 BY TYCO ELECTRONICS CORPORATION. ALL RIGHTS RESERVED.

LOC	DIST	REVISIONS					
J		P	LTR	DESCRIPTION	DATE	DWN	APVD
			O	RELEASED	FJB0-1044-04	22SEP04	J.Z I.E



- △ MATERIAL & FINISH
 PLUG HOUSING:THERMOPLASTIC(UL94V-0)
 COLOR: BLACK.
 REC CONTACT:COPPER ALLOY.
 FINISH:OVER NICKEL,MATING END:
 0.00076 MIN.GOLD,
 TERMINATION END:TIN
 AND SEALING TREATMENT ALL OVER.
- 2 P.W.B. LAYOUT AND P.W.B. TREATMENT(REF.)
 P.W.B. SURFACE ARE TREATED WITH SOLDER RESIST.
 BOARD THICKNESS:1.6mm.
- △ ON KINK POINT(4 PLACES).

0.00076 MIN. Au. PL.	50	26	30.48	34.65	38.26	24	50	6-1747754-3
REMARK	N	M	A	B	C	n	POS.	PART NO.
	CIRCUIT NO.		DIMENSION					

THIS DRAWING IS A CONTROLLED DOCUMENT.		DWN Julyee Zhu 22SEP04	Tyco Electronics Corporation Kawasaki,Japan	
DIMENSIONS: mm		CHK Takahiro Kawamae 22SEP04	Tyco Electronics	
TOLERANCES UNLESS OTHERWISE SPECIFIED:		APVD Ikuo Enomoto 22SEP04	NAME PLUG ASSY V WITH KINK (TINE L=3.9mm)	
0 PLC ± 1 PLC ± 2 PLC ± 3 PLC ± 4 PLC ± ANGLES ±-		PRODUCT SPEC 108-5203	AMPLIMITE .050 SERIES I B-TO-B CONN.	
MATERIAL		APPLICATION SPEC	SIZE A3	CAGE CODE 00779
FINISH		WEIGHT 3.1g	DRAWING NO C=1747754	
GENERAL TOLERANCE 10 ≥ : ±0.2 30 > 10: ±0.25 100 ≥ > 30: ±0.3 ANGLES: ±3°		CUSTOMER DRAWING		RESTRICTED TO
		SCALE 2:1	SHEET 1 OF 1	REV 0