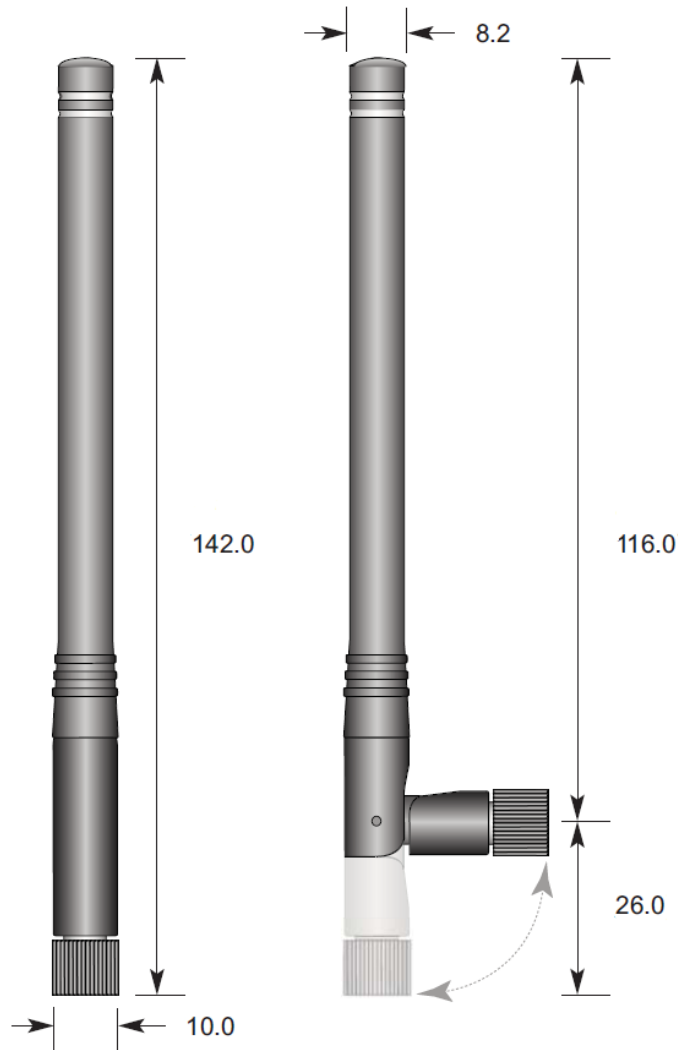


# 1/2 Wave Dipol Antenna

868 MHz SRD Band



## Specifications

Center frequency	868 MHz
Frequency range	853 to 883 MHz
Wavelength	1/2 wave
VSWR	≤ 2.0
Impedance	50 Ohms
Connector	SMA (Male)

## Ordering information

Item no.	Description
AMB1981	Antenna 868 MHz with articulating base



**AMBER wireless GmbH**  
 Phone +49.651.993.550  
 Email [info@amber-wireless.de](mailto:info@amber-wireless.de)  
 Internet [www.amber-wireless.de](http://www.amber-wireless.de)