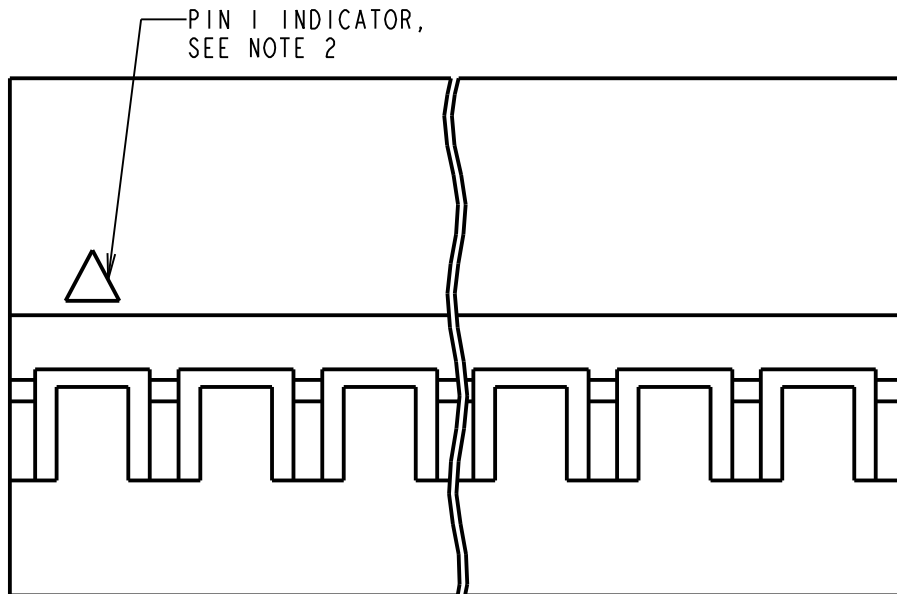
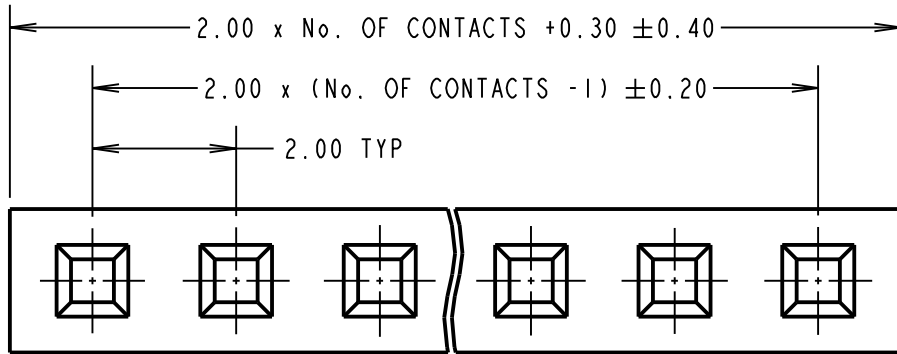


# Customer Information Sheet

DRAWING No.: M22-301XX00 SHEET 2 OF 2 IF IN DOUBT - ASK © NOT TO SCALE THIRD ANGLE PROJECTION ALL DIMENSIONS IN mm



**SPECIFICATION:**

**MATERIAL**

MOULDING = NYLON 66 UL94V-2, BLACK

**ELECTRICAL:**

CURRENT RATING = 1A AC/DC

VOLTAGE RATING = 250V AC/DC MAX

DIELECTRIC WITHSTANDING VOLTAGE = 800V AC FOR 1 MINUTE

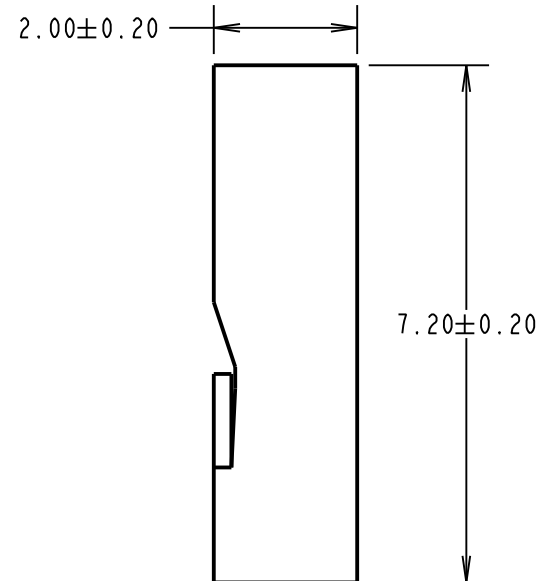
INSULATION RESISTANCE = 1000MΩ MIN

**ENVIRONMENTAL:**

OPERATING TEMPERATURE = -25°C TO +85°C

**NOTES:**

1. TO BE USED WITH CRIMP CONTACTS M22-30400XX (REELED) OR M22-30500XX (LOOSE).
2. TRIANGLE PIN INDICATOR IS ON PIN 1 AND EVERY 5th PIN AFTER.



ORDER CODE:

**M22-301XX00**

No. OF CONTACTS: 02 TO 20

MSP	13	05.06.15	12803
NAME	ISS.	DATE	C/NOTE
APPROVED:		M.PERREN	
CHECKED:		S.BENNETT	
DRAWN:		I. SANDY	
CUSTOMER REF.:			
ASSEMBLY DRG:			

**HARWIN**

www.harwin.com  
technical@harwin.com

THIS DRAWING AND ANY INFORMATION OR DESCRIPTIVE MATTER SET OUT HEREON ARE CONFIDENTIAL AND COPYRIGHT PROPERTY OF THE HARWIN GROUP AND MUST NOT BE DISCLOSED, LOANED, COPIED OR USED FOR MANUFACTURING, TENDERING OR FOR ANY OTHER PURPOSE WITHOUT THEIR WRITTEN PERMISSION.

**TOLERANCES**  
X. = ±1mm  
X.X = ±0.50mm  
X.XX = ±0.10mm  
X.XXX = ±0.01mm  
ANGLES = ±5°  
UNLESS STATED

**MATERIAL:**  
SEE ABOVE  
**FINISH:** SEE ABOVE  
**S/AREA:** mm<sup>2</sup>

**TITLE:**  
2.00mm SIL CRIMP SOCKET HOUSING  
**DRAWING NUMBER:**  
**M22-301XX00**