

ITEM NUMBER	DIMENSION "A"	HEXAGONAL SCREWLOCKS PACKAGED WITH CONNECTORS	SCREWLOCK ITEM NUMBER (SEE SD-70982-****)	PACKAGED PER PACKAGING SPECIFICATION
75134-1000	.092±.010/2.34±0.25	NO		PK-70873-0291
75134-1001	.092±.010/2.34±0.25	YES	70982-1003; 4-40 INTERNAL THD	PK-70873-0686

NOTES:

1) MATERIALS:

HOUSING: GLASS FILLED LCP (LIQUID CRYSTAL POLYMER), UL94 V-0, COLOR NATURAL.
 STICK HOUSING: GLASS FILLED LCP (LIQUID CRYSTAL POLYMER), UL94 V-0, COLOR BLACK.
 TERMINALS: COPPER ALLOY.
 OUTER SHELL: DEEP DRAWN STEEL.
 HEXAGONAL SCREWLOCK: STEEL.

2) PLATING :

TERMINAL: SELECTIVE GOLD (Au) FLASH IN CONTACT AREA;
 THICKNESS= 2 TO 10 MICROINCHES/0.05 TO 0.25 MICROMETERS;
 SELECTIVE TIN (Sn) ALLOY IN THE PC TAIL AREA;
 THICKNESS=100 MICROINCHES/2.54 MICROMETERS MINIMUM;
 NICKEL (Ni) UNDERPLATE OVER ENTIRE PIN.

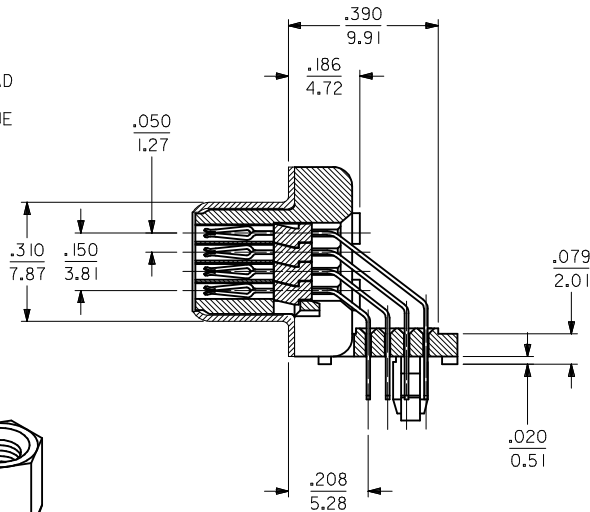
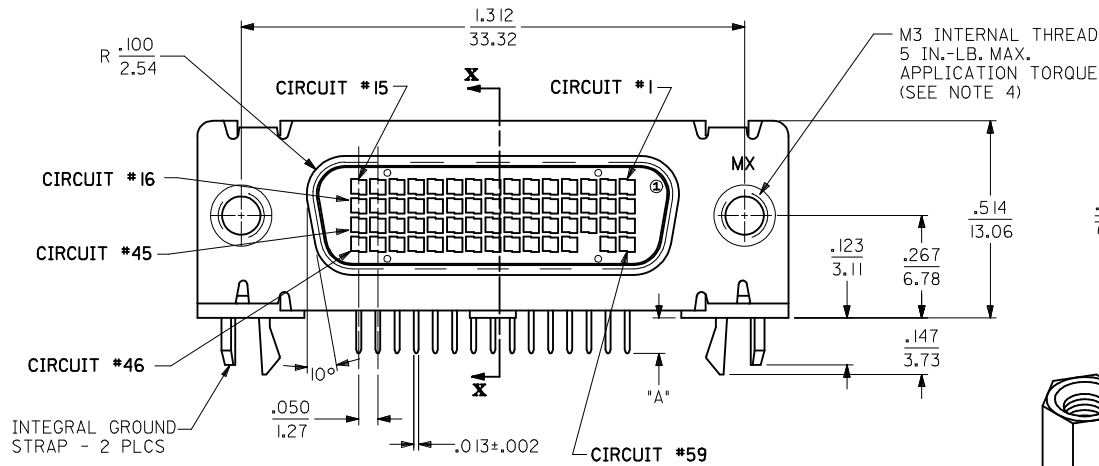
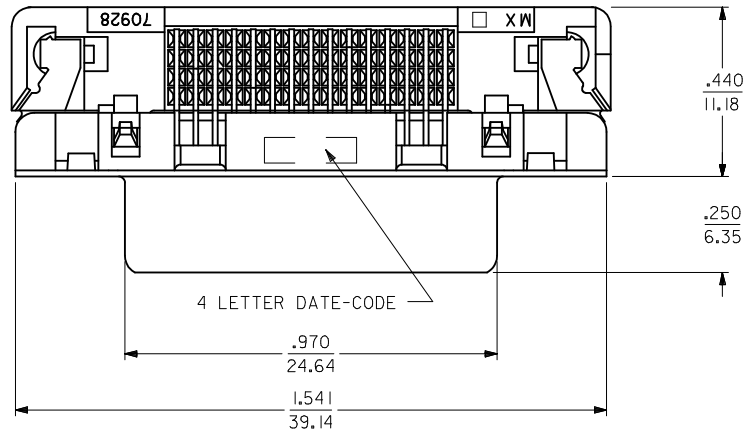
OUTER SHELL: 150 MICROINCHES/3.81 MICROMETERS MINIMUM OF BRIGHT TIN
 OVER 50 MICROINCHES/1.27 MICROMETERS MINIMUM OF NICKEL
 OVER COPPER FLASH (OPTIONAL).

3) CONFORMS TO PRODUCT SPECIFICATION PS-75134-001.

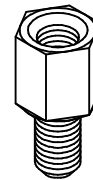
4) THREAD GAGE MAY REQUIRE UP TO 1 INCH-POUND/0.113 NEWTON-METER OF TORQUE DURING GAGING PROCESS.

5) SEE CHART FOR PACKAGING.

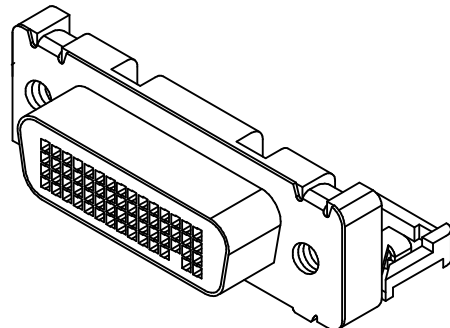
6) PART COMPLIES WITH CLASS B OF COSMETIC SPECIFICATION PS-45499-002



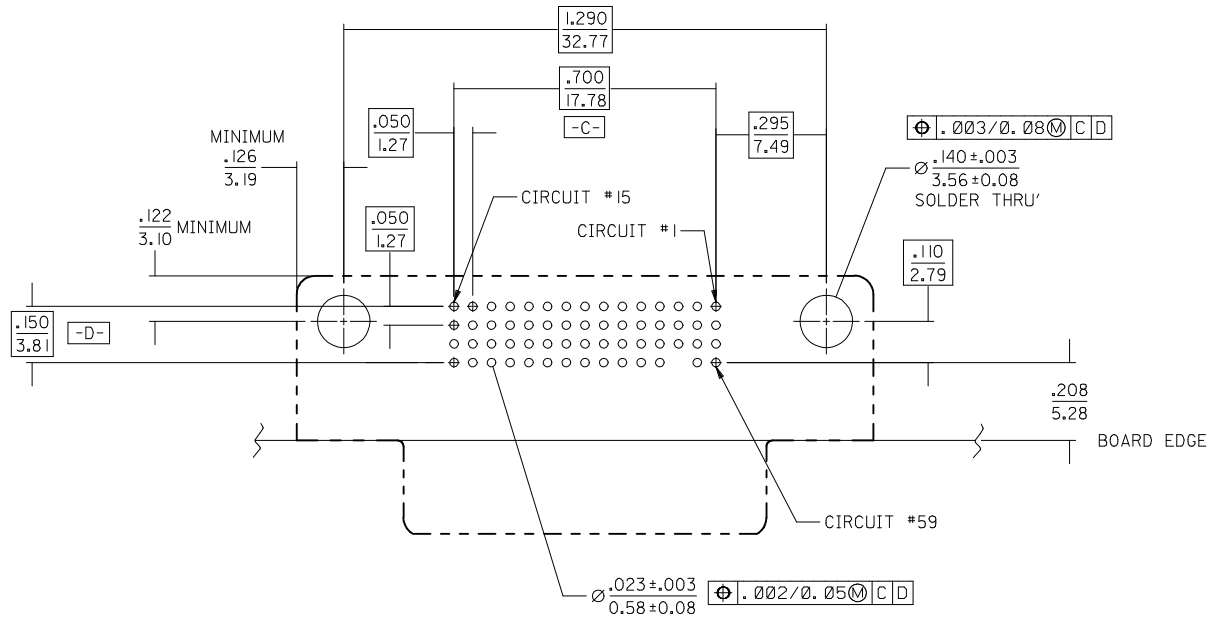
SECTION X-X



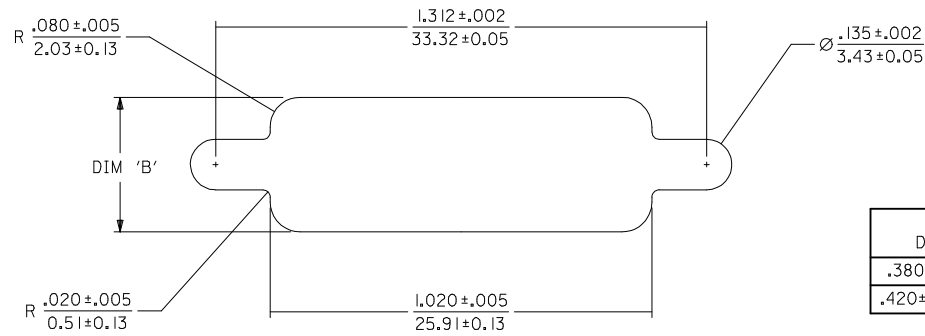
OPTIONAL HEXAGONAL SCREWLOCK



MODIFY T/A ACTUAL EC NO: UCP2009-2635 DRWING:MORGAN 2009/04/29 CHKD:SDANNELLEY 2009/04/30 APPR:SMILLER 2009/04/30	QUALITY SYMBOLS ▽=0 ▽=0	GENERAL TOLERANCES (UNLESS SPECIFIED)		DIMENSION STYLE IN/MM	SCALE INCH	DESIGN UNITS INCH	THIRD ANGLE PROJECTION	
		mm	INCH	DRAWN BY DMORGAN	DATE 2002/10/18	TITLE SALES DMS-59 RECEPTACLE LFH .050/1.27 PITCH RIGHT ANGLE I/O 59 CKT		
		4 PLACES ±---	±---	CHECKED BY BBARKER	DATE 2002/10/18	MOLEX INCORPORATED		
		3 PLACES ±---	±.010	APPROVED BY SMILLER	DATE 2002/10/18	MOLEX INCORPORATED		
2 PLACES ±0.25	±.015	DRAFT WHERE APPLICABLE MUST REMAIN WITHIN DIMENSIONS		MATERIAL NO. SEE TABLE	DOCUMENT NO. SD-75134-001	SHEET NO. 1 OF 2		
1 PLACE ±0.38	±---	THIS DRAWING CONTAINS INFORMATION THAT IS PROPRIETARY TO MOLEX INCORPORATED AND SHOULD NOT BE USED WITHOUT WRITTEN PERMISSION						



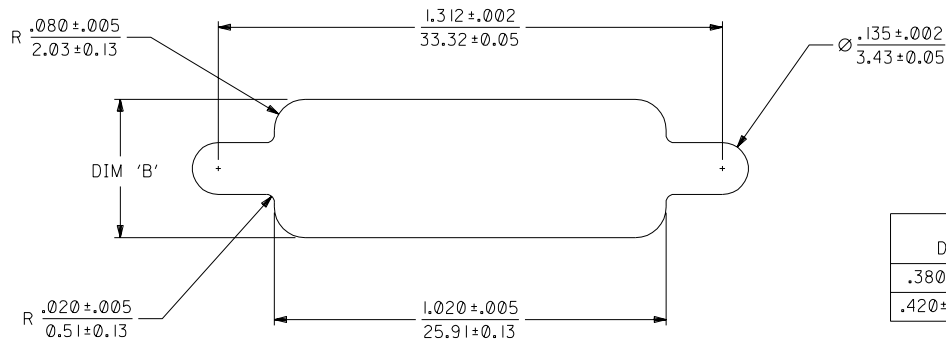
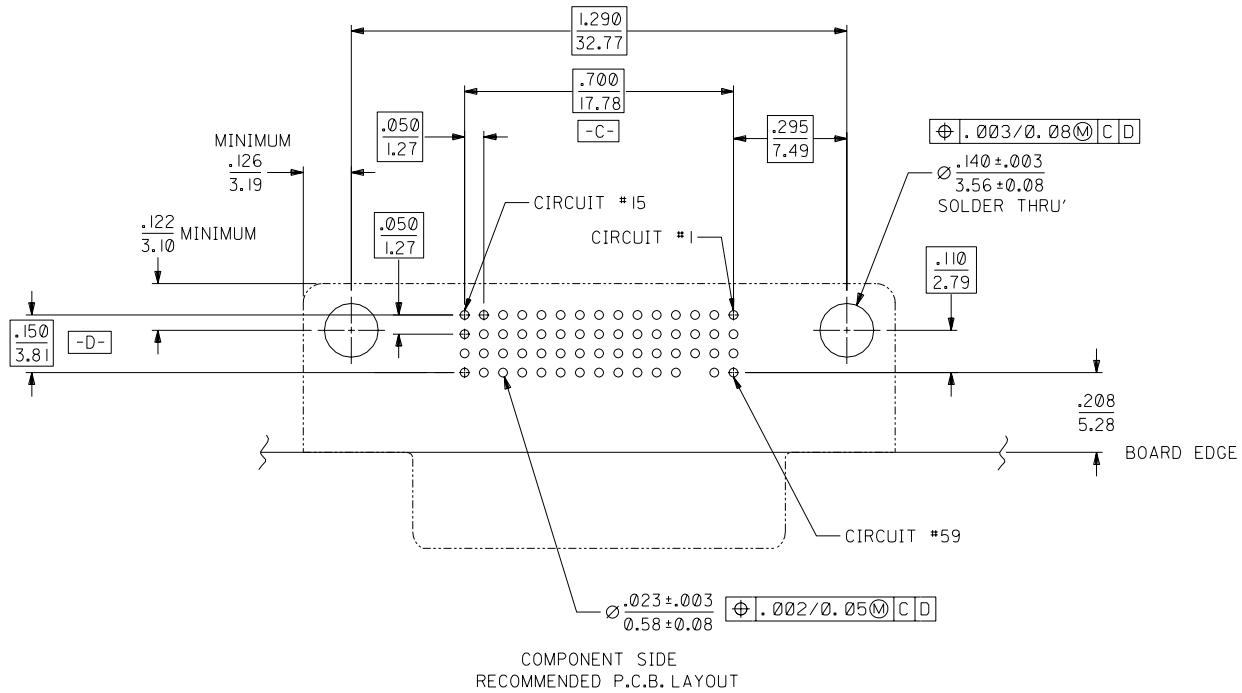
COMPONENT SIDE
RECOMMENDED P.C.B. LAYOUT



DIMENSION 'B'	MAXIMUM PANEL THICKNESS
.380 ± .005 / 9.65 ± 0.13	.039 / 0.99
.420 ± .005 / 10.67 ± 0.13	.064 / 1.63

RECOMMENDED PANEL CUT-OUT

SEE SHEET 1 IEC NO: UCP2009-2635 DRW:DMORGAN 2009/04/28 CHK:D.SANNELLEY 2009/04/30 APPR:SMILLER 2009/04/30	QUALITY SYMBOLS ▽=0 ▽=0	GENERAL TOLERANCES (UNLESS SPECIFIED)		DIMENSION STYLE IN/MM		SCALE 4:1	DESIGN UNITS INCH	THIRD ANGLE PROJECTION
		4 PLACES	± ---	± ---	DRAWN BY	DATE	TITLE SALES DMS-59 RECEPTACLE LFH .050/1.27 PITCH RIGHT ANGLE I/O 59 CKT	
		3 PLACES	± ---	± .010	CHECKED BY	DATE		
		2 PLACES	± .025	± .015	APPROVED BY	DATE		
1 PLACE	± .038	± ---	SMILLER	2002/10/18				
		ANGULAR ± 1/2°		MATERIAL NO. SEE TABLE		DOCUMENT NO. SD-75134-001		SHEET NO. 2 OF 2
DRAFT WHERE APPLICABLE MUST REMAIN WITHIN DIMENSIONS				THIS DRAWING CONTAINS INFORMATION THAT IS PROPRIETARY TO MOLEX INCORPORATED AND SHOULD NOT BE USED WITHOUT WRITTEN PERMISSION				



DIMENSION 'B'	MAXIMUM PANEL THICKNESS
.380 ± .005 / 9.65 ± 0.13	.039 / 0.99
.420 ± .005 / 10.67 ± 0.13	.064 / 1.63

RECOMMENDED PANEL CUT-OUT

INITIAL RELEASE EC NO. UCP2003-0543 DRWN:DMORGAN 02/10/18 CHK: BBARKER 02/10/18 APPR:SMILLER 02/10/18	DESCRIPTION MAJOR CRITICAL	QUALITY SYMBOLS	GENERAL TOLERANCES: (UNLESS SPECIFIED)	SCALE 4:1	DESIGN UNITS <input type="checkbox"/> mm <input checked="" type="checkbox"/> INCH	DIMENSIONS: <input type="checkbox"/> mm <input checked="" type="checkbox"/> INCH <input type="checkbox"/> mm ONLY	SHT	REV	
		MAJOR CRITICAL	4 PLACES ±0. ±.	DRAWN BY & DATE DMORGAN 02/10/18	THIRD ANGLE PROJECTION	REVISE ON CAD ONLY			
REV A	DESCRIPTION	3 PLACES ±0. ±.010	2 PLACES ±0.25 ±.015	1 PLACE ±0.38 ±.	APPROVED BY & DATE SMILLER 02/10/18	TITLE: SALES DMS-59 RECEPTALCE LFH .050/1.27 PITCH RIGHT ANGLE I/O 59 CKT			
		ANGULAR: ± 1/2 °		CAD FILENAME	MATERIAL NO. SEE CHART	DRAWING NO. SD-75134-001	SHEET NO. 2		
DRAFT WHERE APPLICABLE MUST REMAIN WITHIN DIMENSIONS		THIS DRAWING CONTAINS INFORMATION THAT IS PROPRIETARY TO MOLEX INCORPORATED AND SHOULD NOT BE USED WITHOUT WRITTEN PERMISSION.							SIZE C