

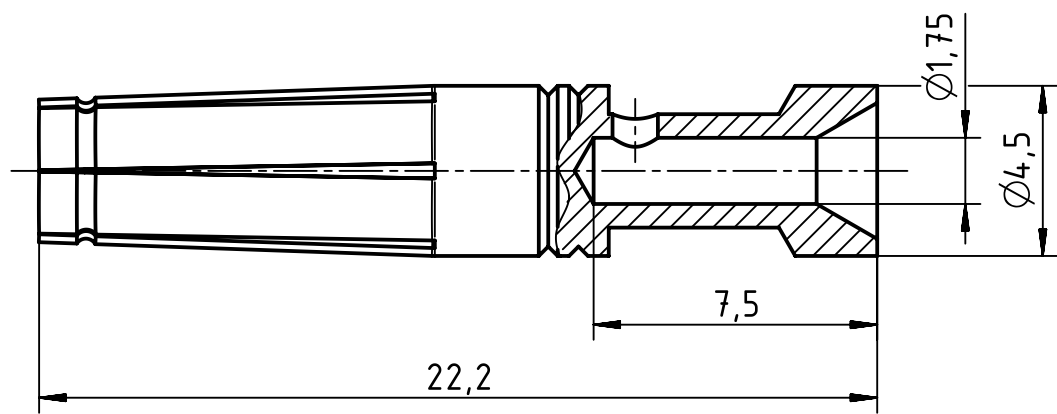
1 2 3 4 5 6

A

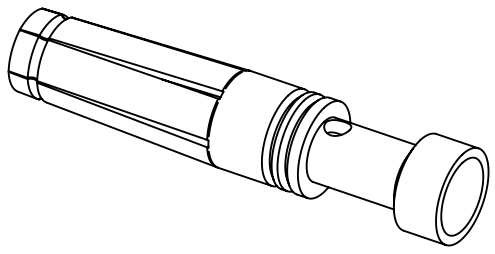
B


C

D



wire gauge: 1.5mm<sup>2</sup> / AWG 16  
 stripping length: 7.5mm  
 coating: silver plated



	All Dimensions in mm Original Size DIN A4	Scale 5:1	Free size tol.			Ref.
	All rights reserved Department EL PD - DE	Created by HOLLERT	Inspected by SPILKERN	Standardisation TIEMANNA	Date 2013-11-05	State Final Release
Title Han High Temp E female contact					Doc-Key / ECM-Nr. 100528060/UGD/002/A 500000067351	
HARTING Electric GmbH & Co. KG D-32339 Espelkamp		Type TB	Number 09 33 800 6204			Rev. A
Page 1/1						