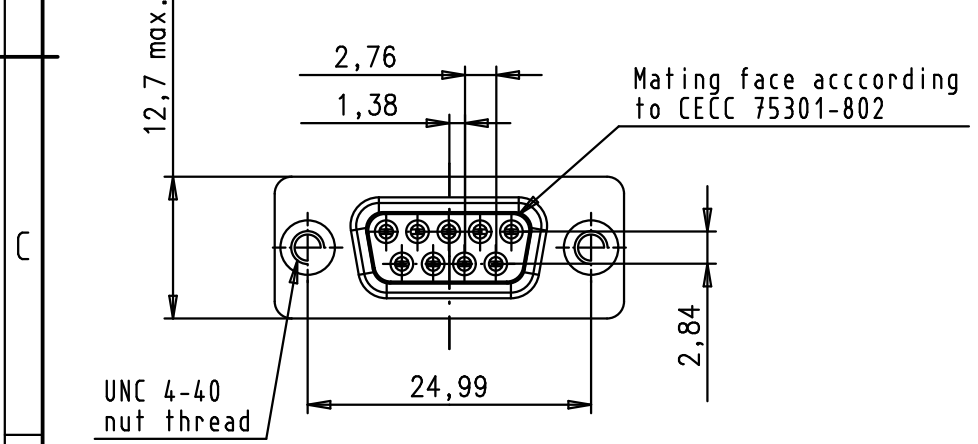
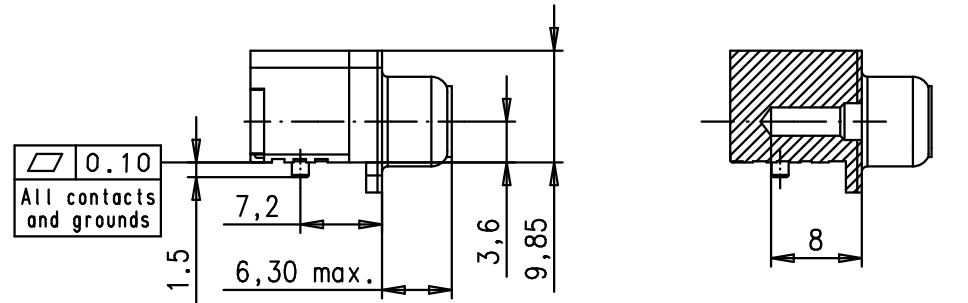


PCB Layout, component side (thickness 1.6 mm min.)

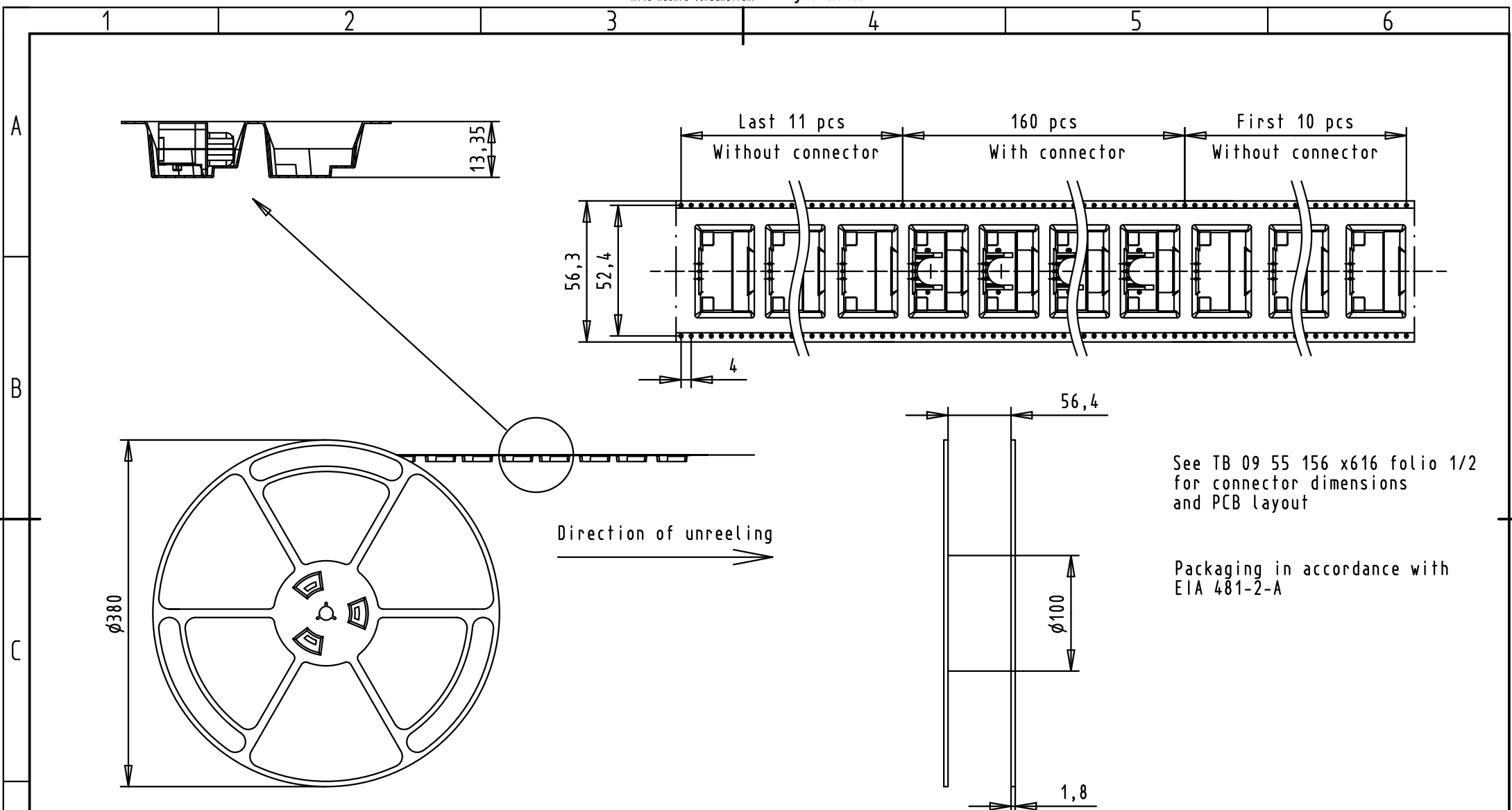


UNC 4-40 nut thread



Max. Temperature : 260° during 10 seconds

						Dat.		Name				D-SUB SMT Low Profile Female 9p with die casted grounds and 4-40 UNC nuts		Maßstab/ Scale	
						Detail.		05Jul2007						ED	
				EC01215		14Jan2010		ED		Insp.					
09551563616.741				1		34884		18/02/2008		LP		Stand.			
09551566616.741				2		34381		17Jul2007		ED				TB 09 55 156 x616	Blatt/ Page 1 / 2
09551567616.741				3		34374		05Jul2007		ED					
Part number				PL		Thread		Index designation		Mod.		Dat.		Name	
				4-40 UNC		Black Insulator		Reel Packaging (160 connectors) see page 2/2		Mod.		Dat.		Name	
										HARTING EURL				F-95972 Paris	
												Sub.			



See TB 09 55 156 x616 folio 1/2 for connector dimensions and PCB layout

Packaging in accordance with EIA 481-2-A

09551563616.741	1	4-40 UNC	Black Insulator	Reel Packaging (160 connectors)
09551566616.741	2			
09551567616.741	3			
Part number	PL	Thread	Index designation	

				Dot.	Name
EC01215	14Jan2010	ED	Detail.	05Jul2007	ED
EC01118	26Nov2009	LP	Insp.		
34407	31Aug2007	ED	Stand.		
34375	10Jul2007	ED			
34374	05Jul2007	ED			
Mod.	Dot.	Name	HARTING EURL F-95972 Paris		

All Dim. in mm
Orig. Size DIN A 4

D-SUB SMT
Low Profile Female 9p
with die casted grounds
and 4-40 UNC nuts

TB 09 55 156 x616

Sub.