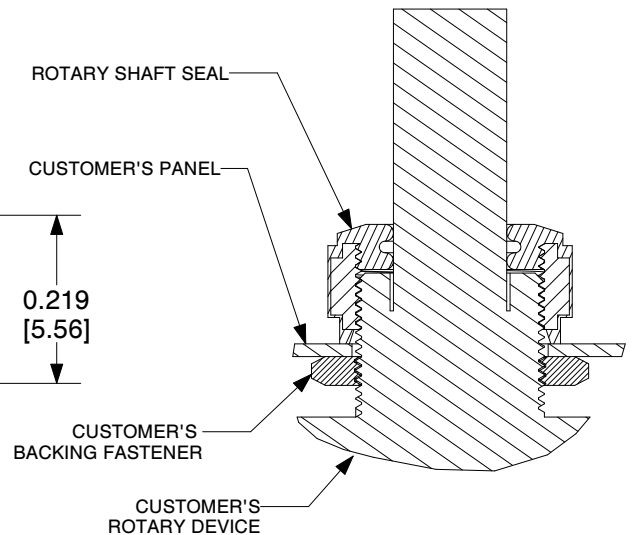
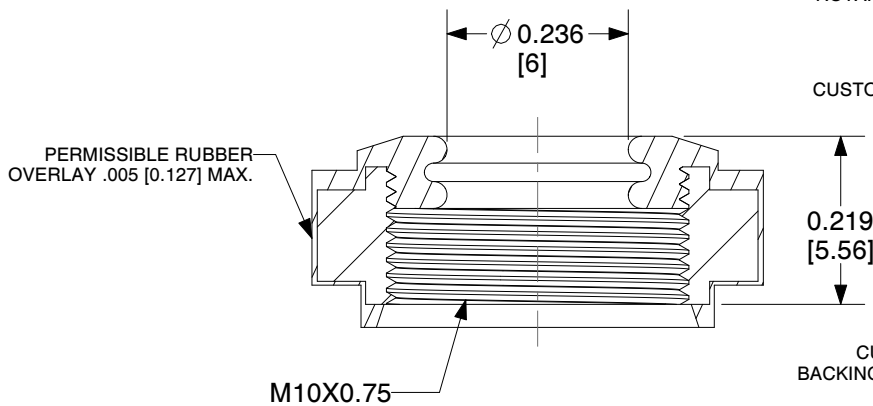
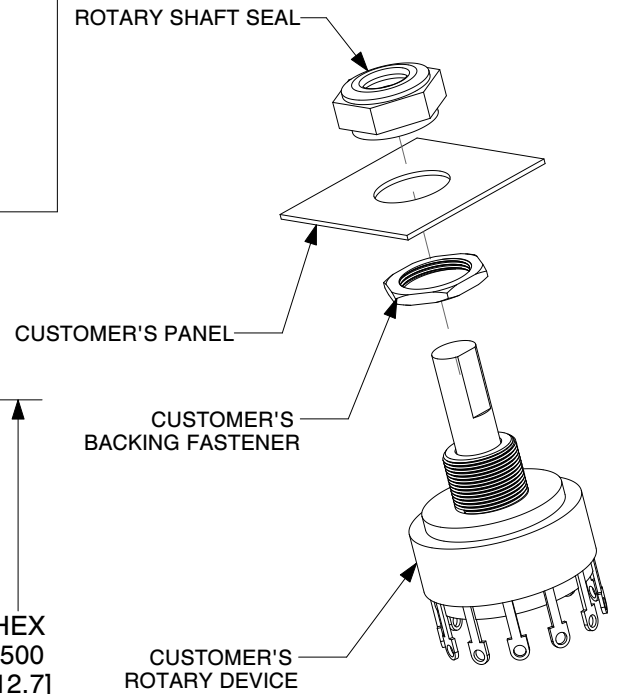
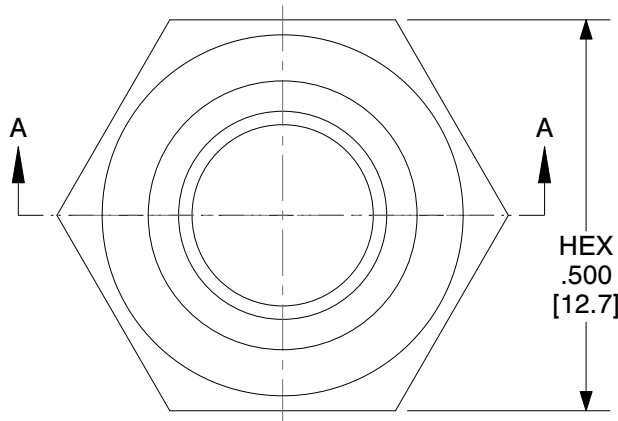


SPECIFICATIONS

Material: Silicone rubber conforms to A-A-59588 Class III, GR60 (unless otherwise specified).
Mounting Nut: Brass, nickel-plated
Temperature Range: -94° F to +400° F (-70° C to +204° C).
Pressure Range: Exceeds 15 psi internal and 1500 psi external.
Operational Life: 50,000 actuations (minimum).
Shelf Life: Excess of 25 years.
Resistant to: Salt spray, sunlight, ozone, weather, fungus, and most acids and lubricating oils.
Agency Recognition: UL & ULC Recognized to UL Std. 50



TOLERANCES: UNLESS OTHERWISE NOTED ± 1/32 [±0.793].

A	ADDED CELSIUS EQUIVANT VALUE TEMPERATURE RANGE		10.01.12
REV.	DESCRIPTION		DATE
	MAXIMUM AND MINIMUM MEASUREMENTS ARE STATED DIRECTLY ON EACH DIMENSION.	TITLE:	ENG. DAN LAW 12.07.11
		SEAL, SHAFT, ROTARY,	DWN: DAN LAW 12.07.11
	MAT'L: SILICONE RUBBER conforms to A-A-59588, Gr. 60		CHKD. KEN S. 10.02.12
	FINISH: BLACK	APM-HEXSEAL CORPORATION	SCALE 4:1 DWG.NO. 1332/46

THIS DRAWING COVERS PROPRIETARY ITEM AND IS THE PROPERTY OF THE APM-HEXSEAL CORPORATION. THIS DRAWING IS NOT TO BE COPIED OR USED WITHOUT THE WRITTEN APPROVAL OF AN OFFICER OF THE APM-HEXSEAL CORPORATION.