

## Housing - HC-STA-D07-SHOWS-1SGM20-PL-BK - 1419267


Please be informed that the data shown in this PDF Document is generated from our Online Catalog. Please find the complete data in the user's documentation. Our General Terms of Use for Downloads are valid (<http://phoenixcontact.com/download>)



Box mounting bases D7, with single locking latch, material: PA, cable outlets: 1, lateral, height: 27.9 mm, cable gland: with, support sleeve: no, 1x M20, Standard, open floor

RoHS

### Key Commercial Data

Packing unit	1 STK
GTIN	 4 055626 160184
GTIN	4055626160184

### Technical data

#### Dimensions

Height	27.9 mm
Width	38 mm
Length	24.2 mm
External cable diameter	4 mm ... 10 mm
Length of the assembly cutout	21 mm
Width of the assembly cutout	21 mm

#### Ambient conditions

Degree of protection of housing (IP)	IP66
Ambient temperature (operation)	-40 °C ... 125 °C

#### General

Note	for contact inserts HC-A03, A04, D07, D08, Q02, Q03, Q04, Q05, Q07, Q12
Size	D7
Housing type	Box mounting bases
Color	black
Locking type	with single locking latch
No. of cable outlets	1

# Housing - HC-STA-D07-SHOWS-1SGM20-PL-BK - 1419267

## Technical data

### General

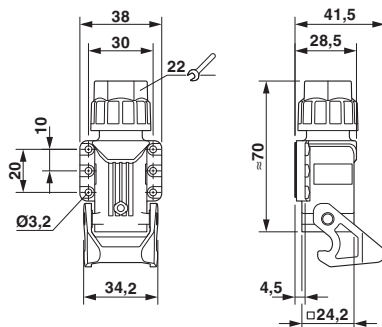
Cable outlet	lateral
Screw connection	with
Type of the screw connection	1x M20
Housing material	PA
Seal material	NBR
Material lock	PA
Flammability rating according to UL 94	V0 (Polyamide housing)

### Environmental Product Compliance

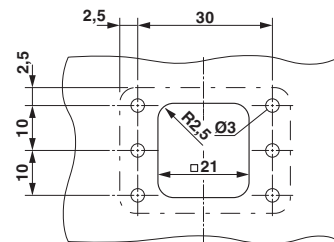
REACH SVHC	Lead 7439-92-1
China RoHS	Environmentally Friendly Use Period = 50
	For details about hazardous substances go to tab "Downloads", Category "Manufacturer's declaration"

## Drawings

Dimensional drawing



Dimensional drawing



Mounting cutout

Dimensional drawing

## Approvals

### Approvals

Approvals

EAC / GL

Ex Approvals

### Approval details

## Housing - HC-STA-D07-SHOWS-1SGM20-PL-BK - 1419267

### Approvals

EAC		RU C- DE.AI30.B.01102
-----	---	--------------------------

GL		<a href="http://exchange.dnv.com/tari/">http://exchange.dnv.com/tari/</a>	6196614 HH
----	---	---	------------

Phoenix Contact 2018 © - all rights reserved  
<http://www.phoenixcontact.com>

PHOENIX CONTACT GmbH & Co. KG  
Flachsmarktstr. 8  
32825 Blomberg  
Germany  
Tel. +49 5235 300  
Fax +49 5235 3 41200  
<http://www.phoenixcontact.com>