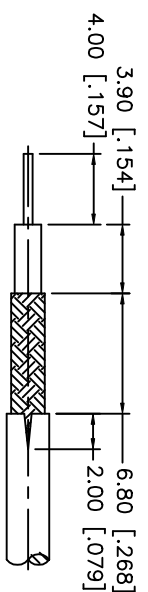
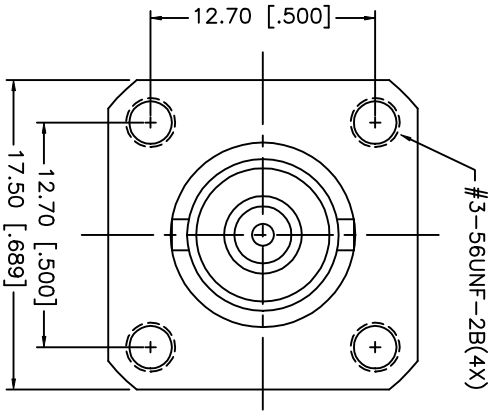


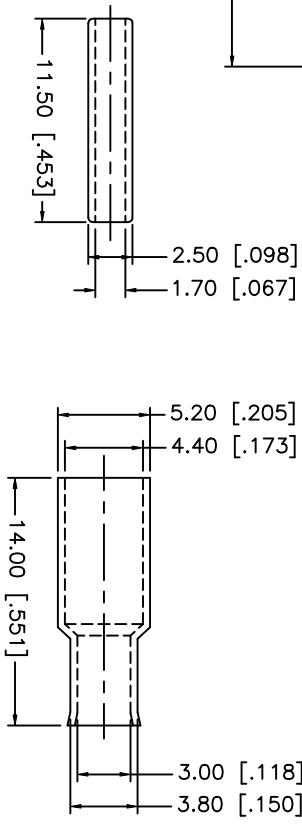
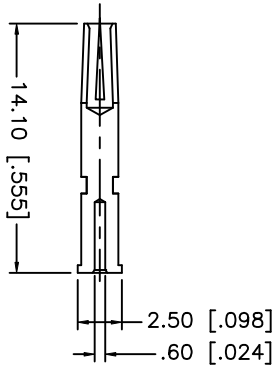
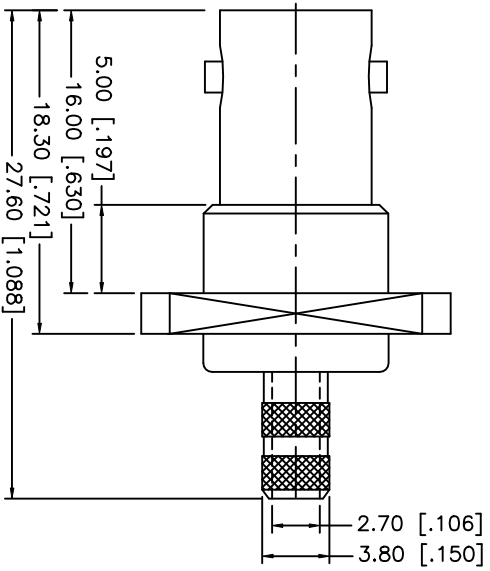
REV.	DATE	DESCRIPTION
NC	07/29/02	INITIAL RELEASE



RECOMMENDED
CABLE STRIPPING DIM'S



#3-56UNF-2B(4X)



8																				
7																				
6	FERRULE	COPPER	NICKEL																	
5	SLEEVE	DELIRIN	NATURAL																	
4	CONTACT PIN	PHOS. BRONZE	GOLD																	
3	BARREL	BRASS	NICKEL																	
2	INSULATOR	TEFLON	NATURAL																	
1	BODY/HOUSING	BRASS	NICKEL																	
	DESCRIPTION	MATERIAL	FINISH																	
				UNLESS OTHERWISE SPECIFIED DIMENSIONS ARE IN MILLIMETERS				APPROVALS				DATE				TITLE				
				DIMENSIONS IN [] ARE IN INCHES FOR CUSTOMER REFERENCE ONLY				G.R.S.				07/29/02				BNC PANEL JACK - W/ #3-56 TAPPED HOLES (FOR RG-174/U, 188A/U, 316/U CABLE)				
				UNLESS OTHERWISE SPECIFIED TOLERANCES FOR INCHES ARE: .XXX = ± 0.005" .XX = ± 0.010" .X = ± 0.020"				CHECKED								SIZE				
				DO NOT SCALE DRAWING				ISSUED								FSQM NO.				
																A				
																99001				
																NA				
																112288-11				
																112288-11.DWG				
																REV.				
																NC				
																SHEET				
																1 OF 1				

Amphenol - Connex
CONNECTOR CORPORATION